

## G97273 Hideaway Country Kitchen Assembly Instructions

For ages 3 and up.  
Adult assembly required.

### ▲ WARNING

Small parts and sharp points may be present prior to assembly.

### Care Instructions

To clean your product, use mild soap and water on a damp cloth. Do not use window cleaners or cleaning abrasives as they will scratch the surface and could damage the protective coating.

### Customer Service

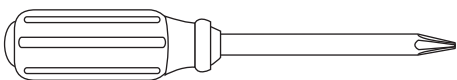
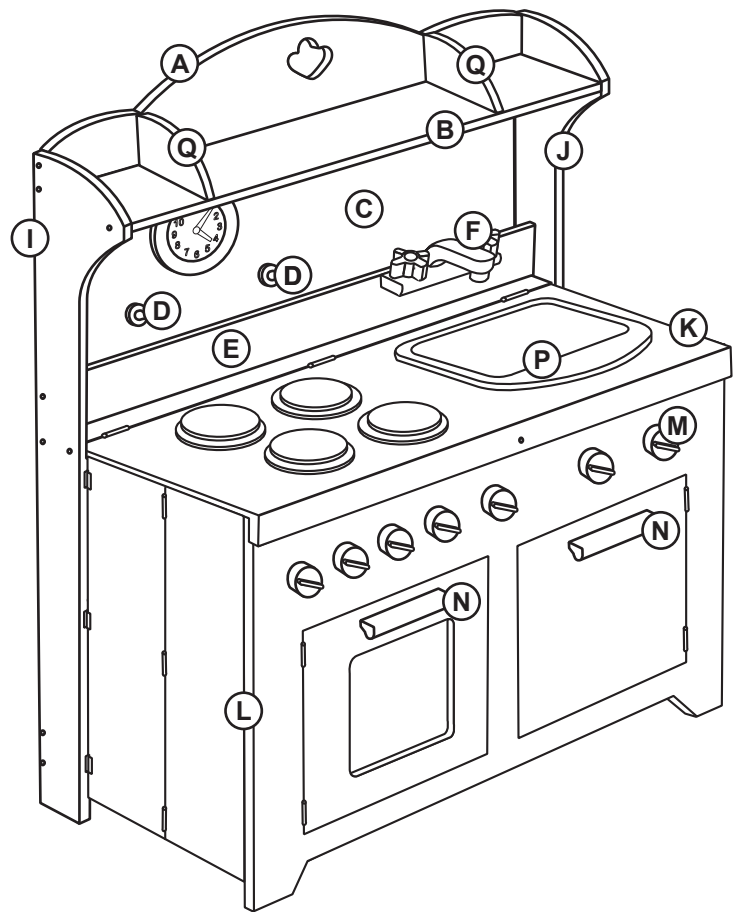
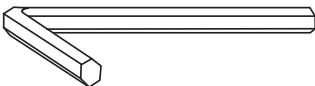
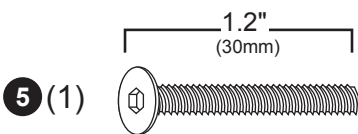
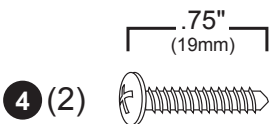
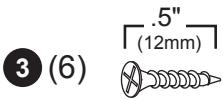
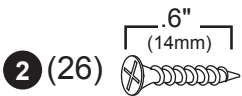
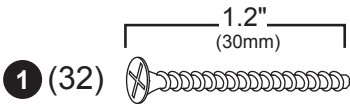
For questions regarding this product, or to receive replacement or missing parts, contact Customer Service at (800) 524-3555. Please have the model number and part number(s) located in this Assembly Instruction sheet available for reference.

### Limited Warranty

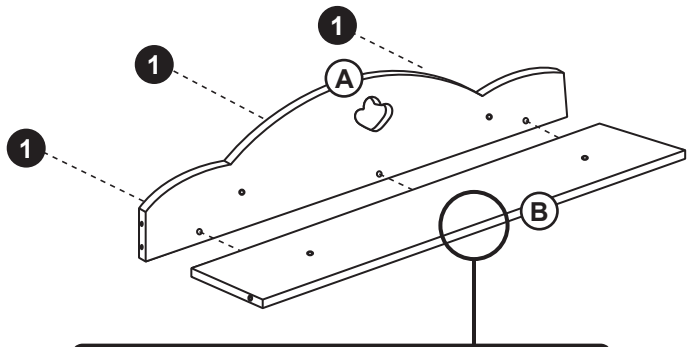
All Guidecraft products are warranted to the original purchaser at the time of purchase and for a period of one (1) year thereafter. In order to provide you with timely assistance, please thoroughly inspect your product for missing or defective parts immediately after opening the carton. To receive replacement or missing parts under this warranty, contact Customer Service. You will also need your sales receipt or other proof of purchase.

## Hardware and Parts

page 1 of 6

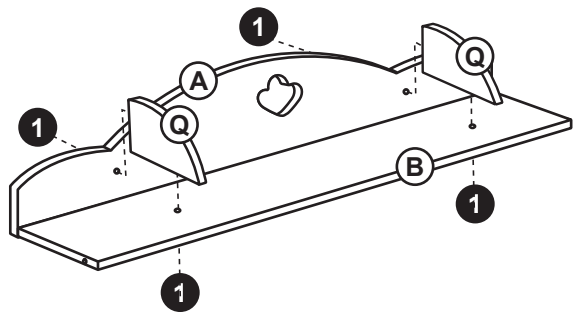


You will also need a Phillips-head screwdriver (not included).

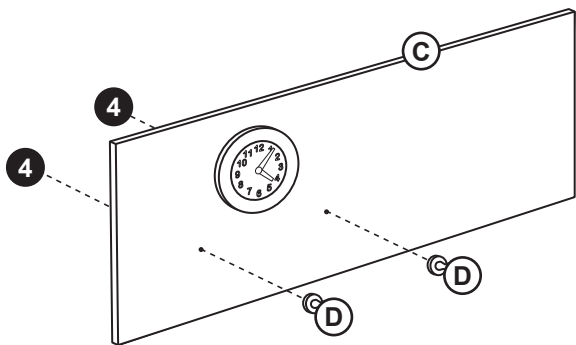


**IMPORTANT NOTE:** Part B has a hole with an inset nut that must face down when assembling Part A to Part B. If assembled correctly the hole will not be visible from above, as shown.

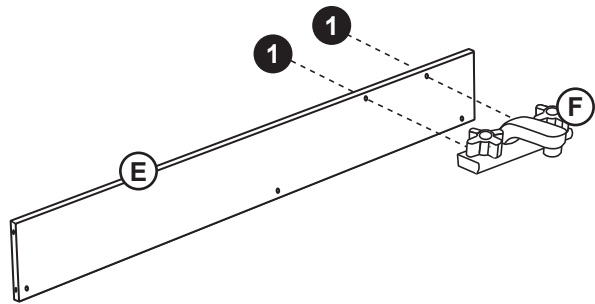
**STEP 1**



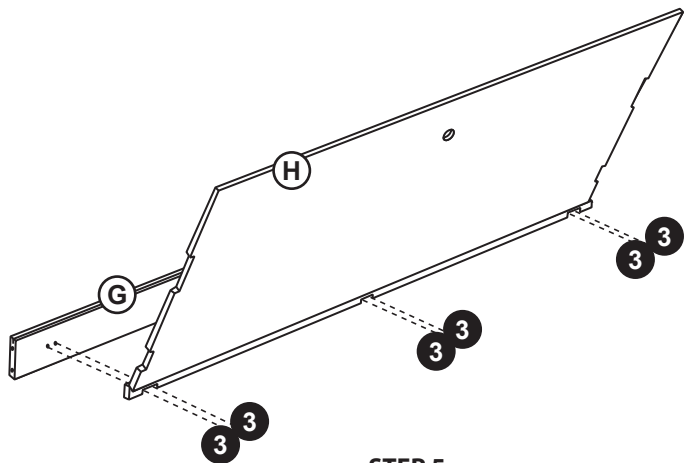
**STEP 2**



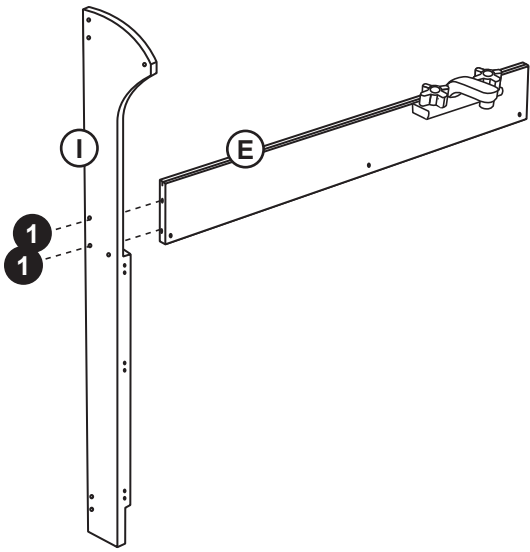
**STEP 3**



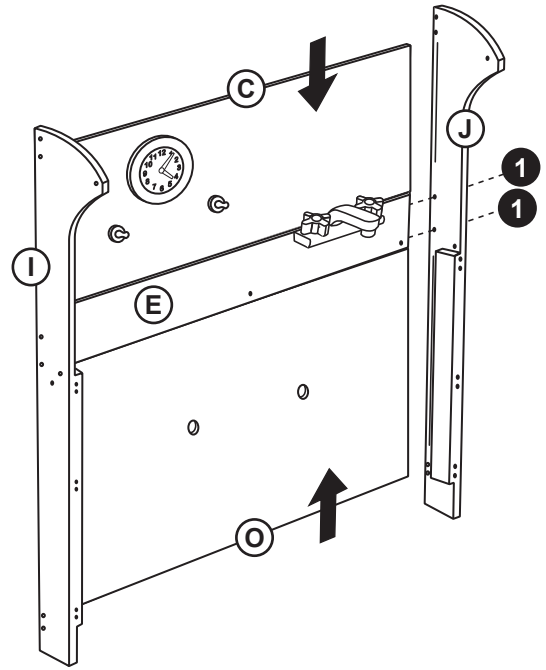
**STEP 4**



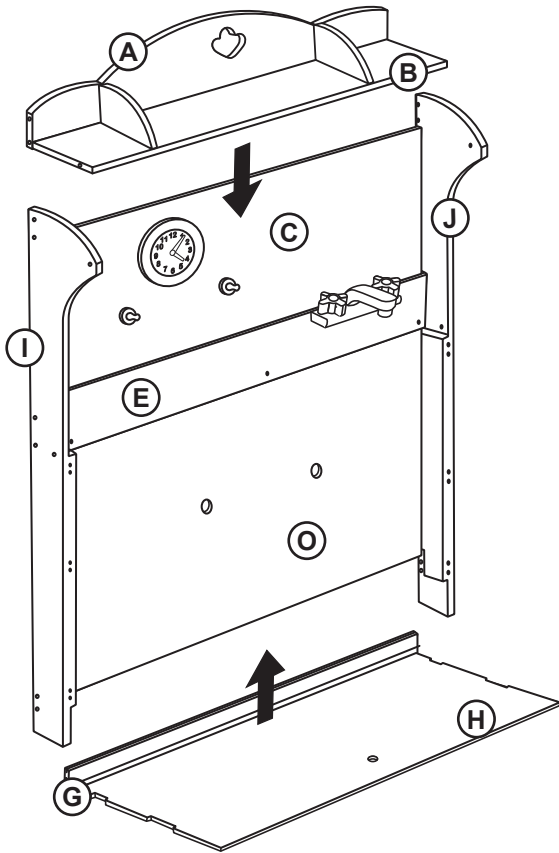
**STEP 5**



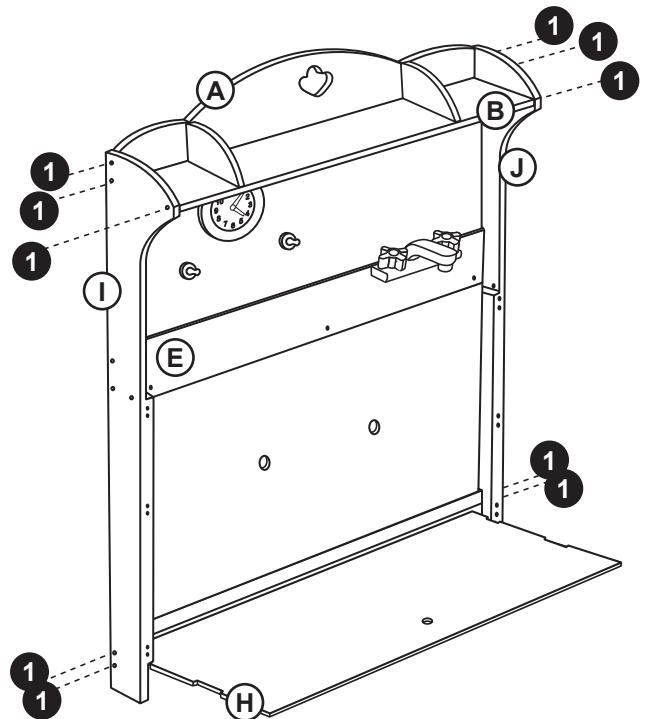
STEP 6



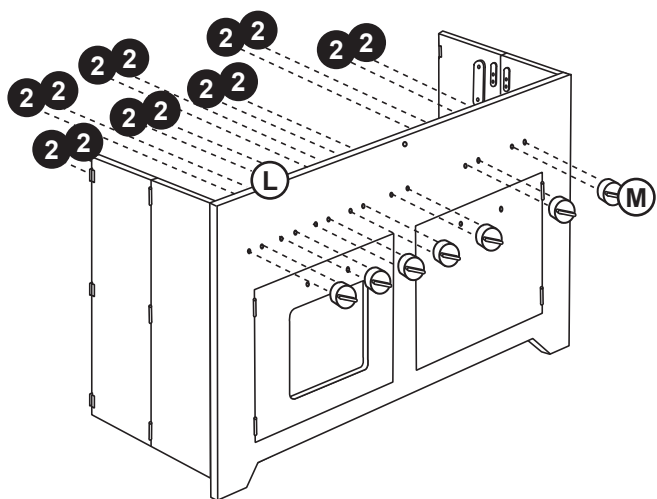
STEP 7



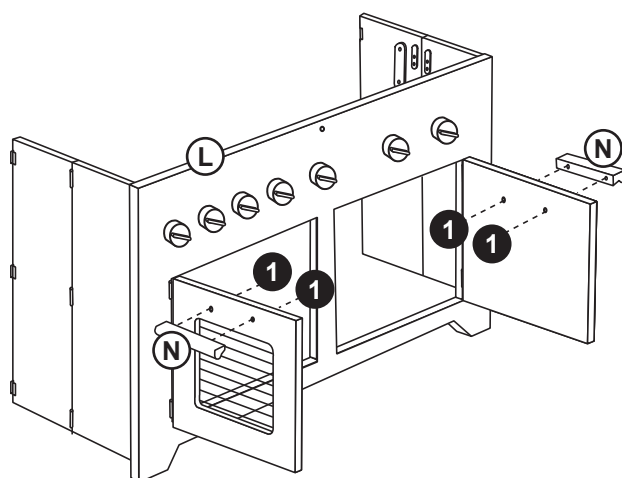
STEP 8



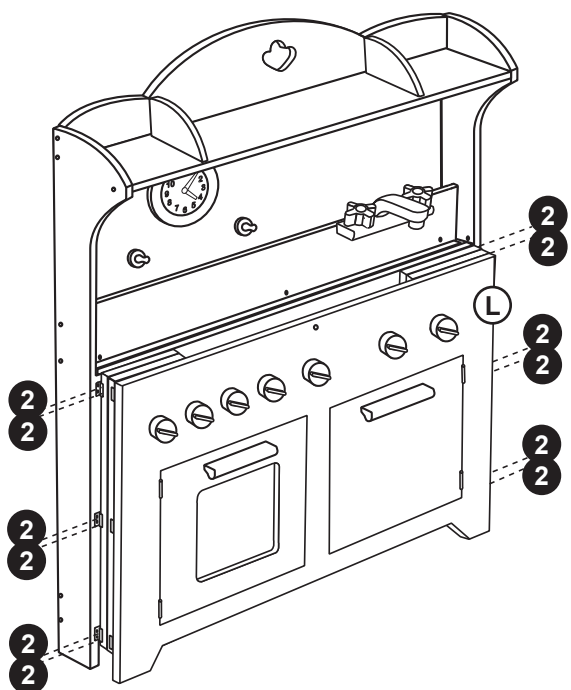
STEP 9



STEP 10

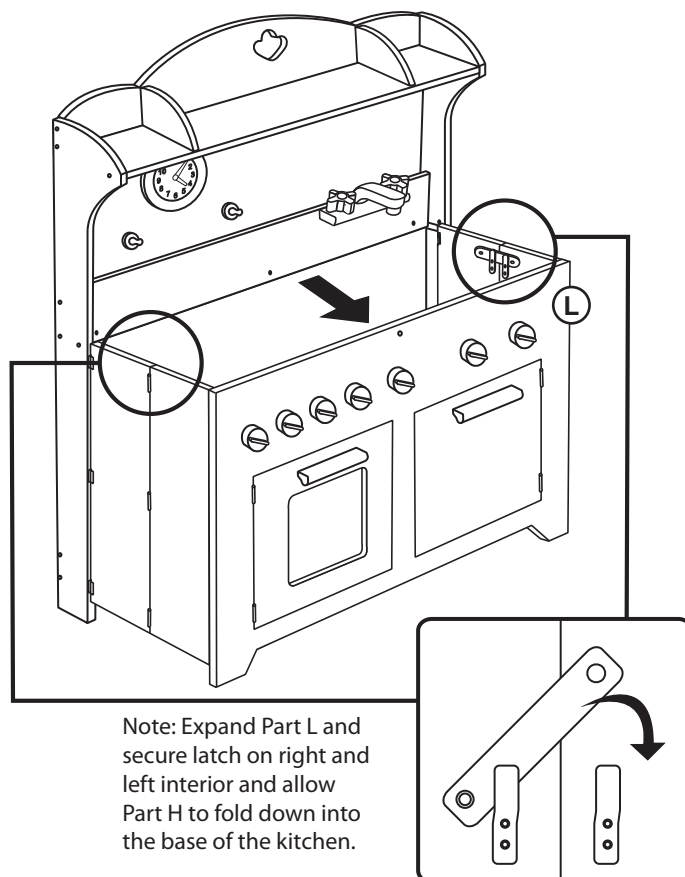


STEP 11



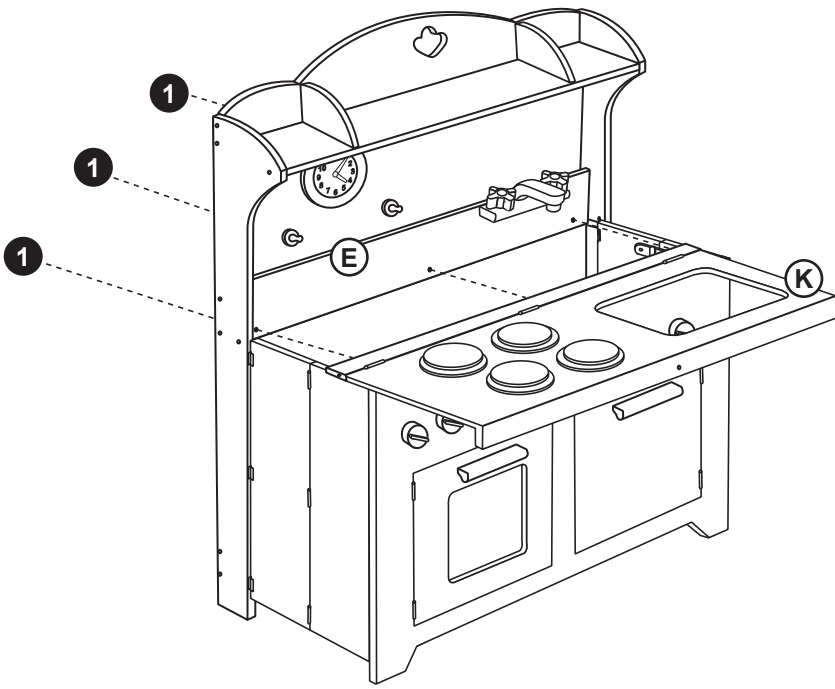
Note: Lift Part H up against the back panel and fold Part L flat. For best results, stand kitchen upright. This will allow for proper alignment when attaching the screws.

STEP 12

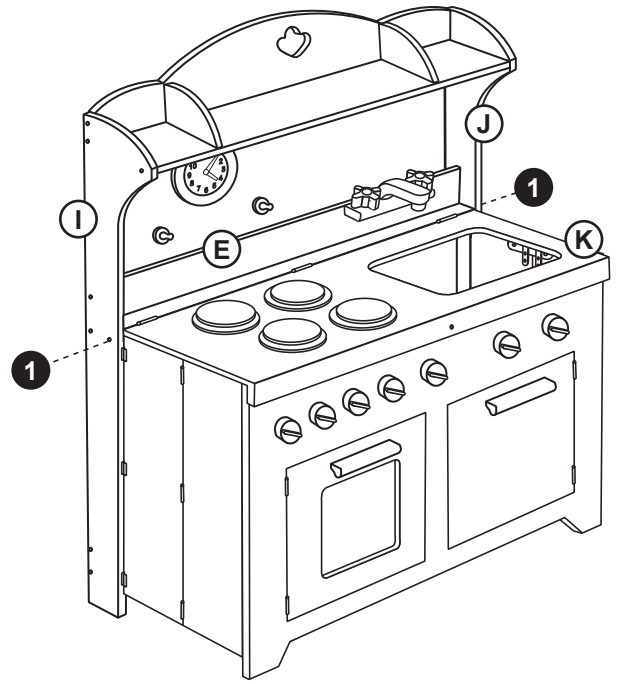


Note: Expand Part L and secure latch on right and left interior and allow Part H to fold down into the base of the kitchen.

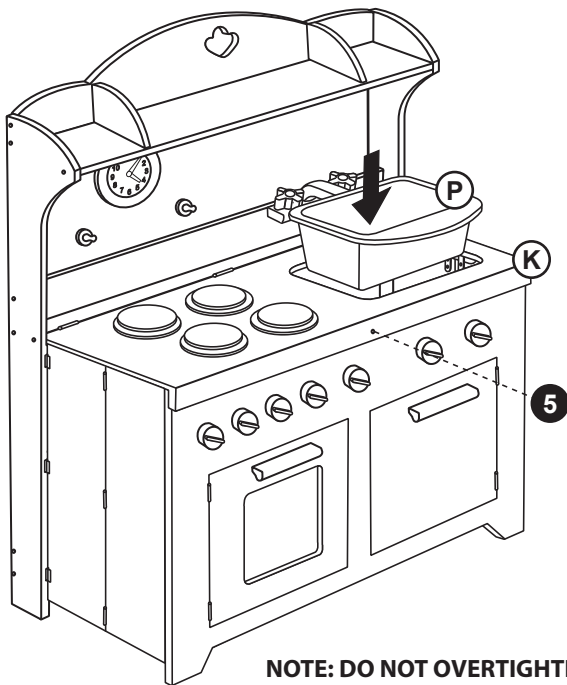
STEP 13



STEP 14

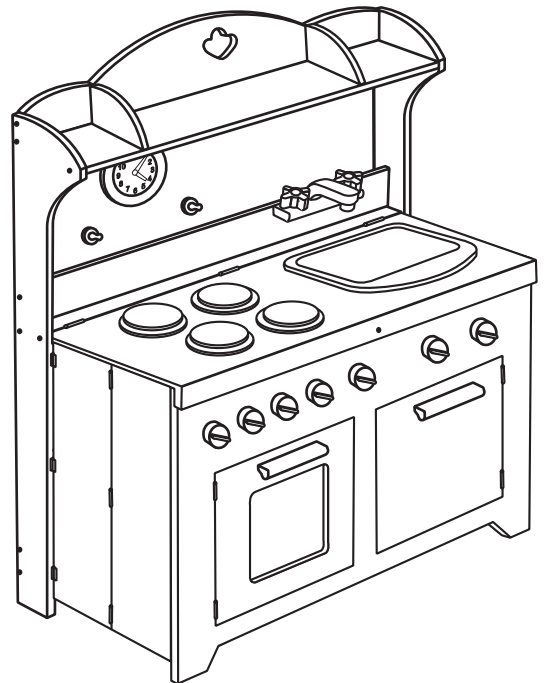


STEP 15



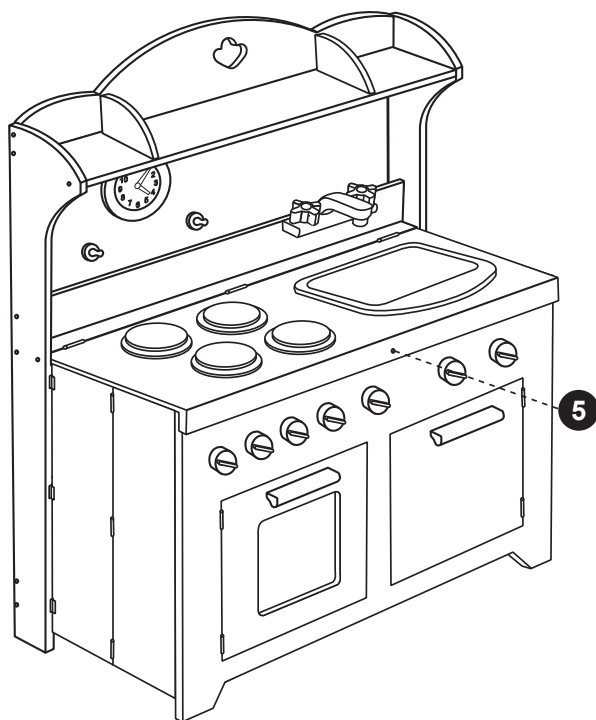
**NOTE: DO NOT OVERTIGHTEN  
LOCKING BOLT HARDWARE (5).**

STEP 16



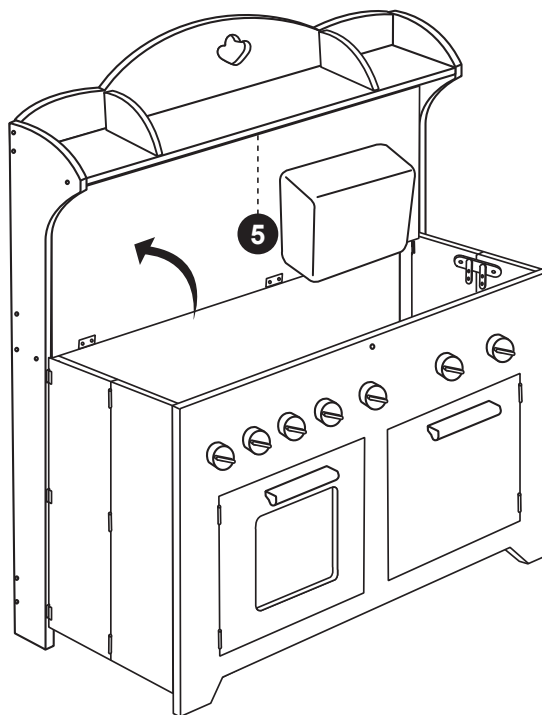
# Hideaway Instructions

Directions for compacting your Hideaway Kitchen.  
ADULT ASSEMBLY IS NEEDED WHEN COMPACTING THE KITCHEN.



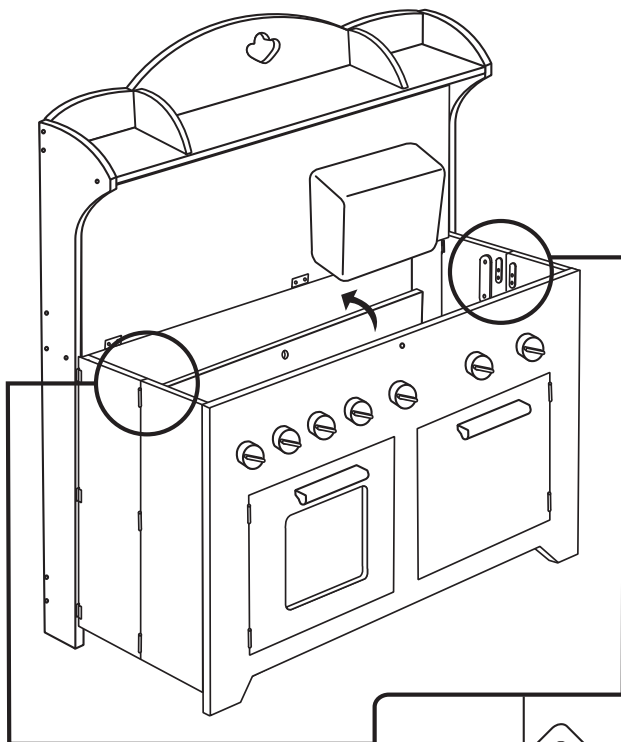
**STEP 1**

Unscrew locking bolt (5) from the front of the counter.



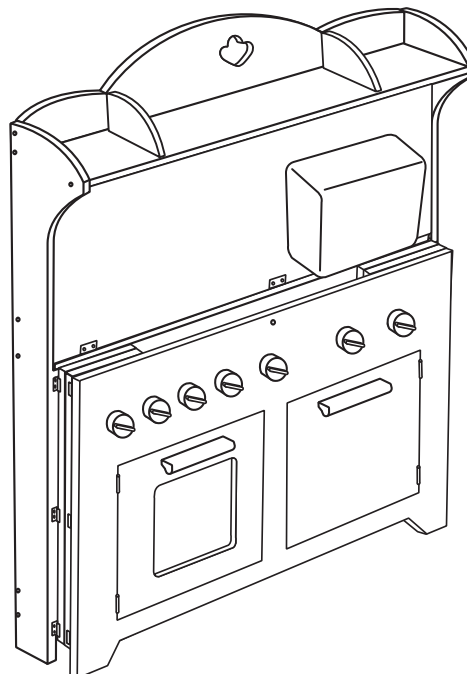
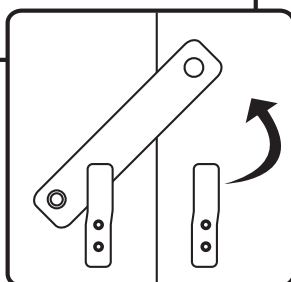
**STEP 2**

Lift the counter and secure it to the underside of the top shelf with locking bolt (5). Bolt screws into an inset nut located on the underside of shelf. **DO NOT OVERTIGHTEN LOCKING BOLT (5).**



**STEP 3**

Lift the interior base up against the back panel. Release the latches on the right and left sides.



**STEP 4**

Fold in the sides of the kitchen and store away.