

G98106, G98107, G98124 Doll Buggy Assembly Instructions

For ages 2 and up. Adult assembly required.

⚠ WARNING

Small parts and sharp points may be present prior to assembly.

Care Instructions

To clean your product, use mild soap and water on a damp cloth. Do not use window cleaners or cleaning abrasives as they will scratch the surface and could damage the protective coating.

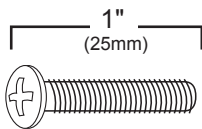


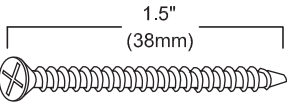

Customer Service

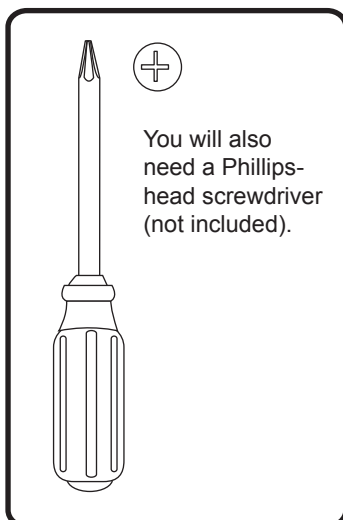
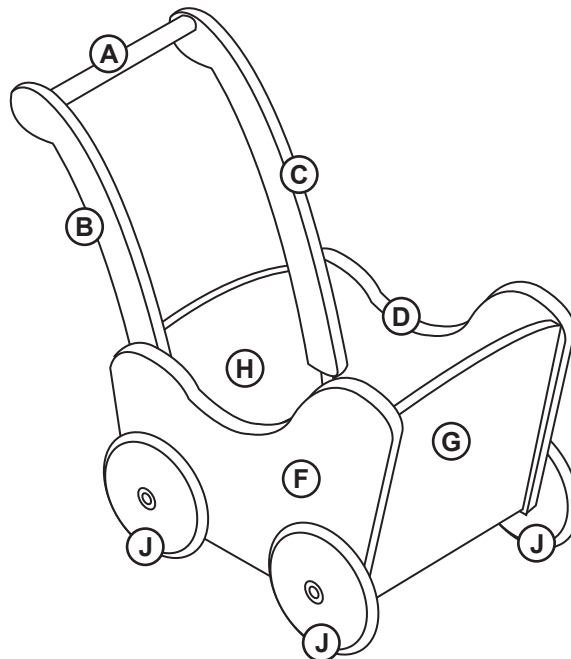
For questions regarding this product, or to receive replacement or missing parts, contact Customer Service at (800) 524-3555. Please have the model number and part number(s) located in this Assembly Instruction sheet available for reference.

Limited Warranty

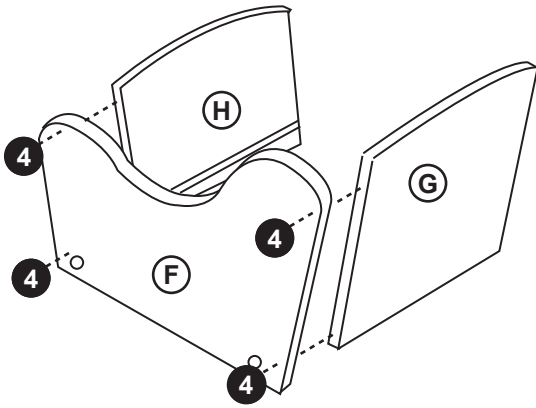
All Guidecraft products are warranted to the original purchaser at the time of purchase and for a period of one (1) year thereafter. In order to provide you with timely assistance, please thoroughly inspect your product for missing or defective parts immediately after opening the carton. To receive replacement or missing parts under this warranty, contact Customer Service. You will also need your sales receipt or other proof of purchase.

Hardware and Parts

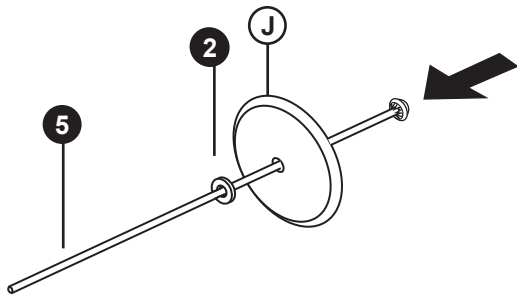
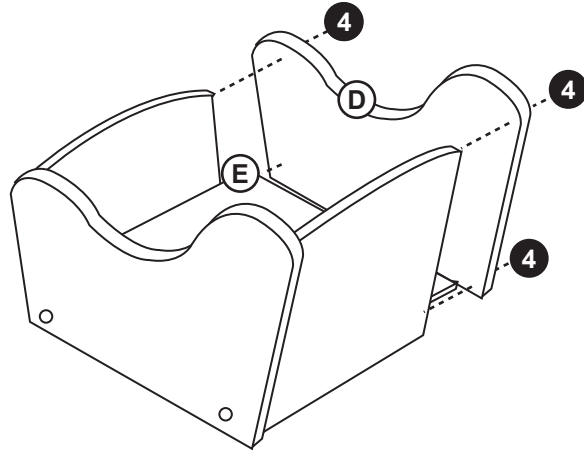
- 1 (4) 
- 2 (4)  3 (2) 
- 4 (10) 
- 5 (2) 



STEP 1

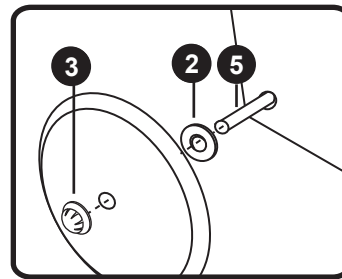


STEP 2



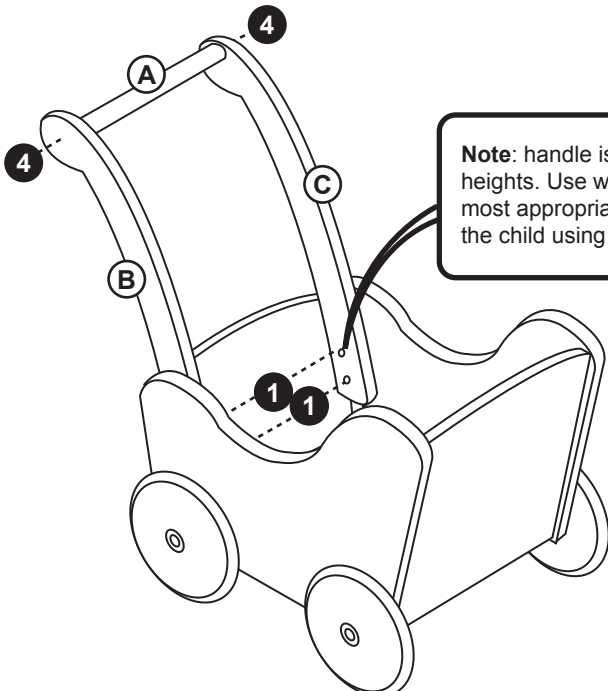
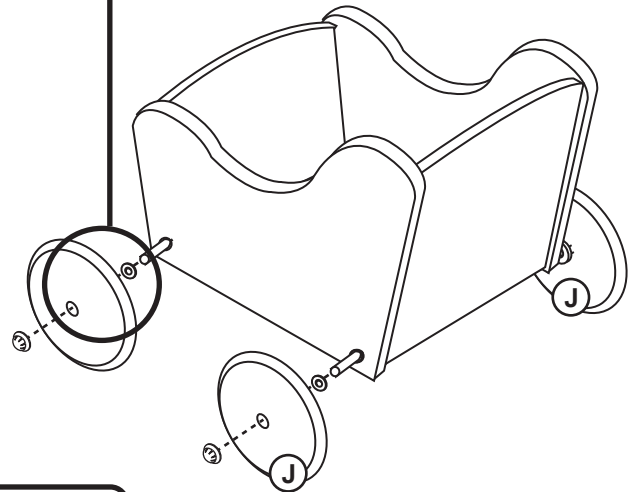
STEP 3

One side of the axle (5) has a crimped wheel cap which is already attached. Slide the open end of the axle through the wheel (J), then slide the spacer (2) over the axle.



STEP 4

Slide the completed wheel section from Step 3 through the holes on the side of the buggy. Place a spacer (2) over the axle, then the wheel (J). Using a rubber mallet, gently tap the wheel cap (3) into place. If you do not have a rubber mallet, place a piece of cardboard over the wheel cap, then gently tap it into place using a hammer.



Note: handle is adjustable to two heights. Use whichever height is most appropriate for the age of the child using the buggy.

STEP 5