

G97013 Bookshelf Low 30" Assembly Instructions

For ages 3 and up. Adult assembly required.

⚠ WARNING

Small parts and sharp points may be present prior to assembly.

Care Instructions

To clean your product, use mild soap and water on a damp cloth. Do not use window cleaners or cleaning abrasives as they will scratch the surface and could damage the protective coating.

Customer Service

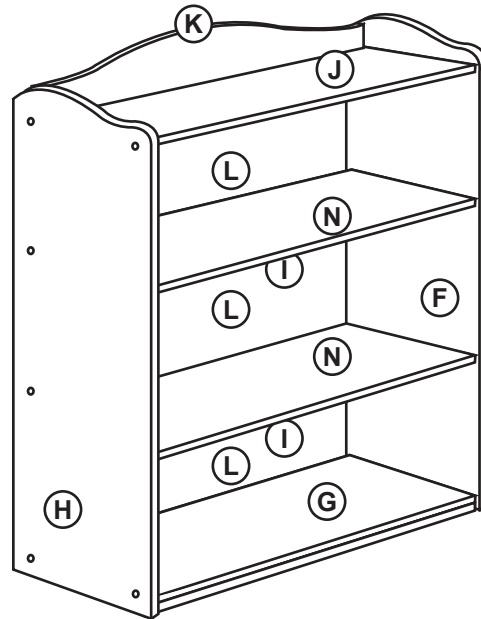
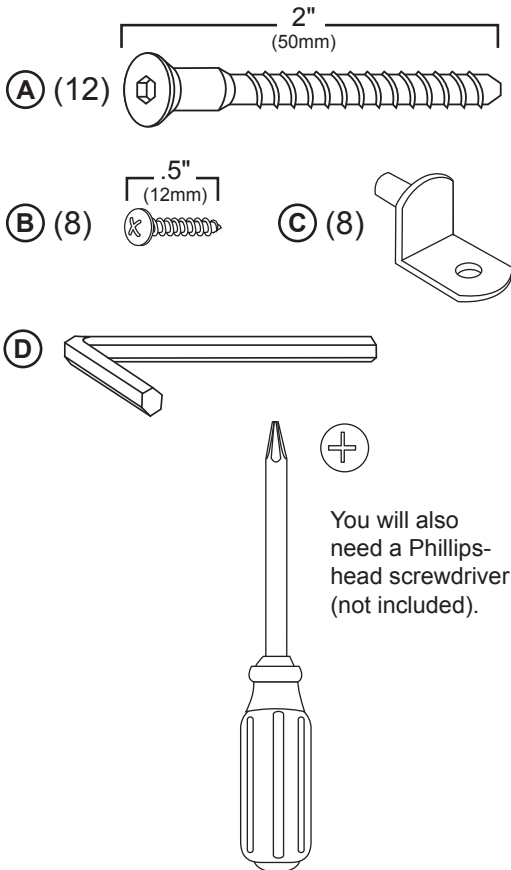
For questions regarding this product, or to receive replacement or missing parts, contact Customer Service at (800) 524-3555. Please have the model number and part number(s) located in this Assembly Instruction sheet available for reference.

Limited Warranty

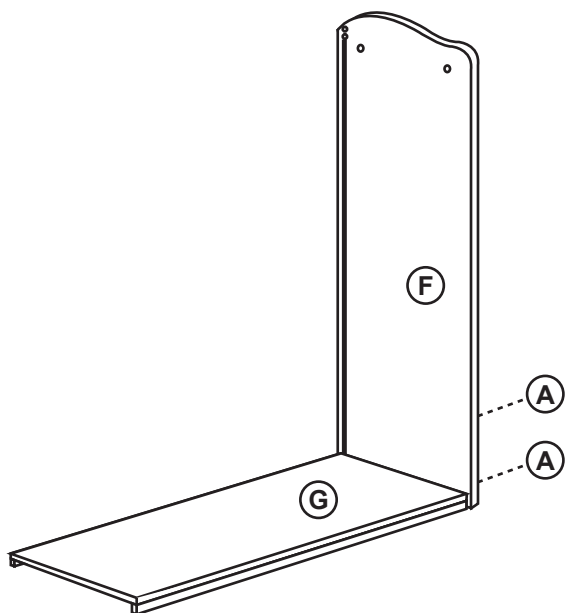
All Guidecraft products are warranted to the original purchaser at the time of purchase and for a period of one (1) year thereafter. In order to provide you with timely assistance, please thoroughly inspect your product for missing or defective parts immediately after opening the carton. To receive replacement or missing parts under this warranty, contact Customer Service. You will also need your sales receipt or other proof of purchase.

Hardware and Parts

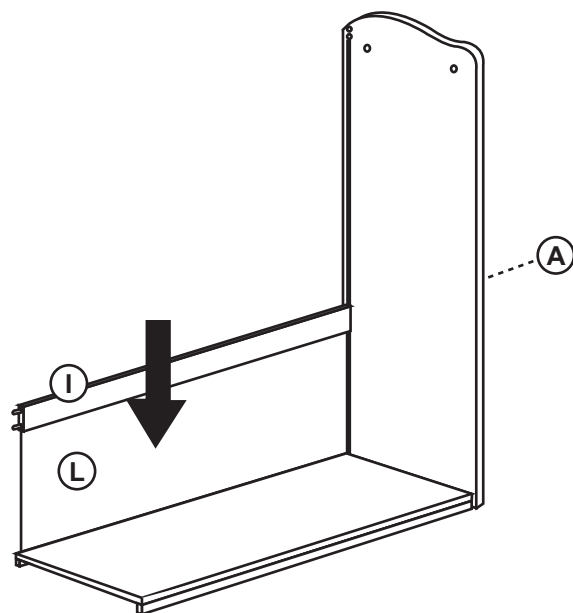
page 1 of 4



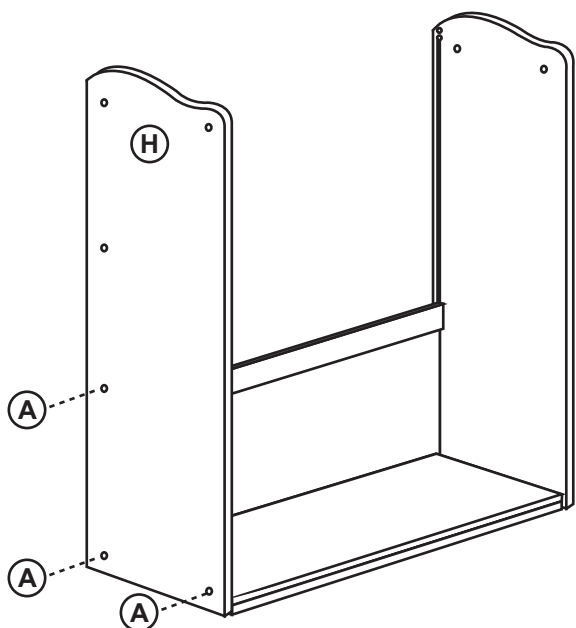
NOTE: You will be building this bookcase from the bottom up. Gradually tighten screws as you work your way up. Do not fully tighten all screws until all the pieces are in place and aligned.



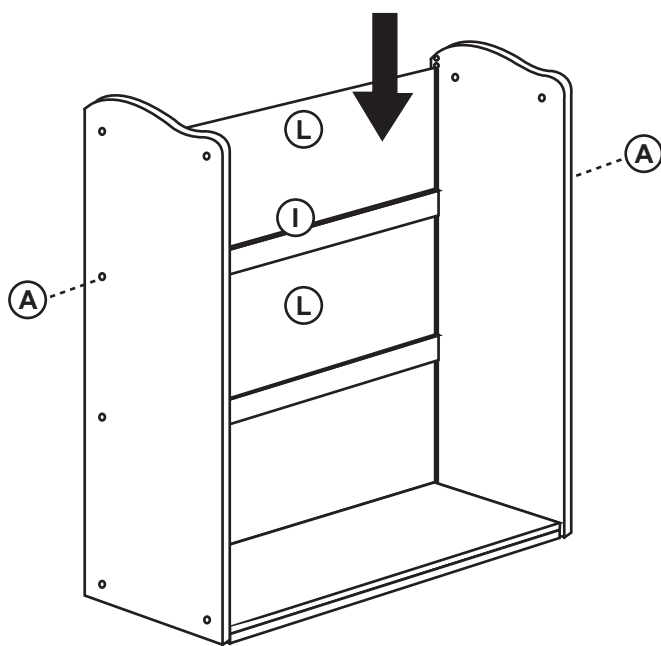
STEP 1



STEP 2

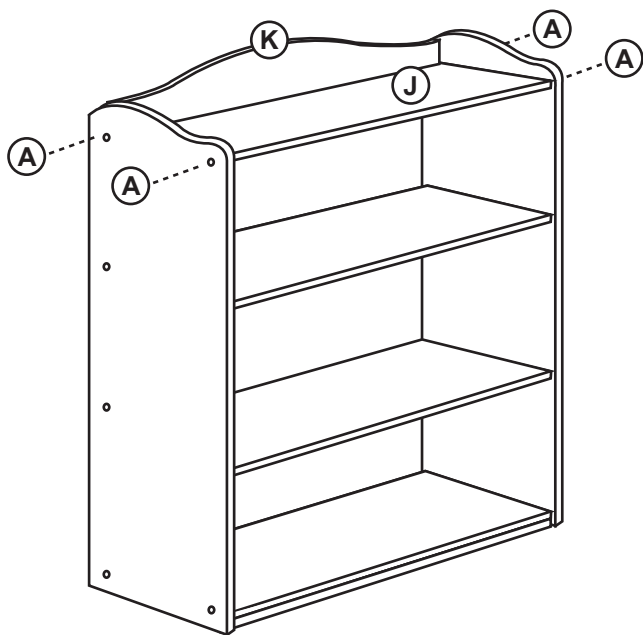


STEP 3

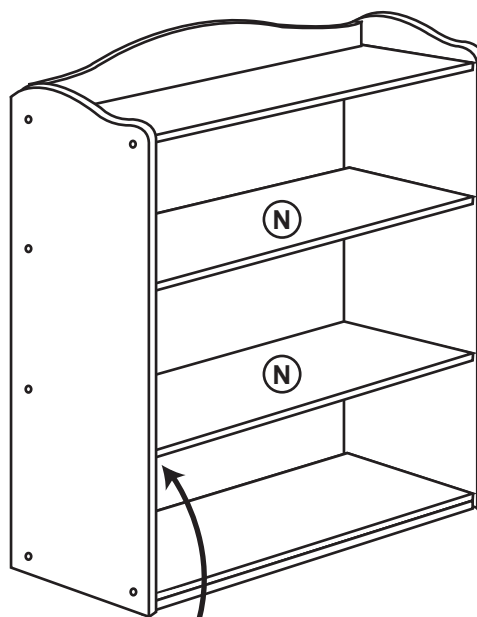


STEP 4

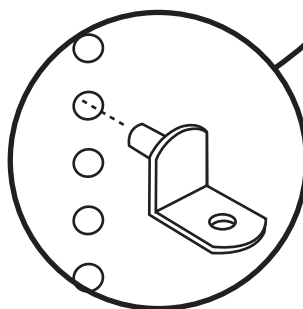
NOTE: You will be building this bookcase from the bottom up. Gradually tighten screws as you work your way up. Do not fully tighten all screws until all the pieces are in place and aligned.



STEP 5

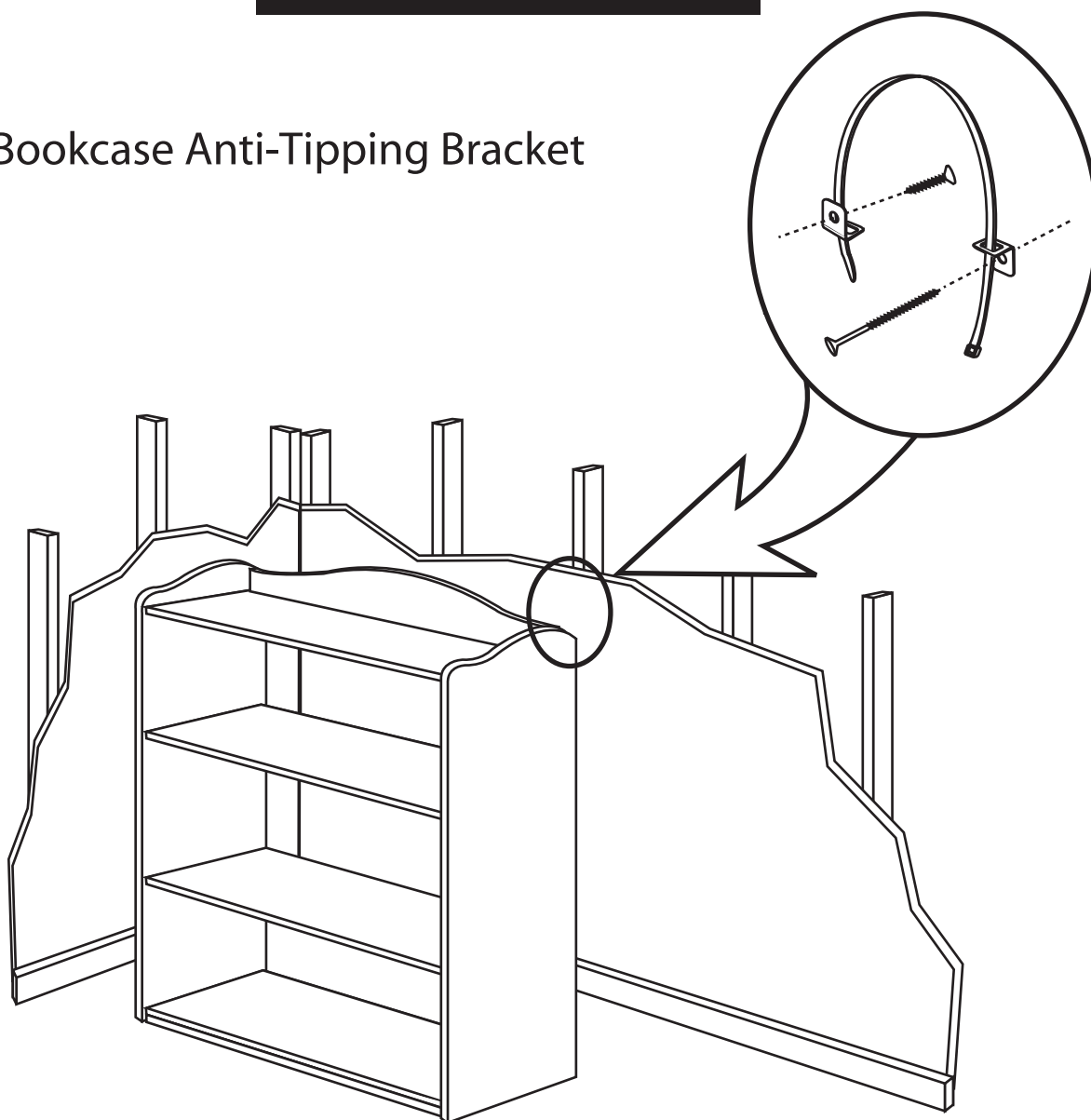


STEP 6



Insert shelf pins (C) in desired location. Place shelf on pins and secure with Screw (B).

Bookcase Anti-Tipping Bracket



Tipping furniture may injure young children. Use of this tipping restraint hardware is highly recommended.

This hardware, when properly installed, could provide protection against the unexpected tipping of furniture due to improper use.

WARNING: This product is only a deterrent. It is not a substitute for proper adult supervision.

1. Attach one of the mounting brackets securely to the back top edge of the furniture using the short screw.
2. Find the stud in the wall and mark the location on the wall for the mounting of the second bracket. Mount the bracket with a 2" wood screw, approximately 2" below the bracket mounted to the edge of the furniture.

3. If a stud cannot be found purchase a "Hollow-Wall Anchor Bolt" and attach the second bracket to the wall using that bolt.

4. Place the furniture so the bracket on the back edge is in line with the bracket on the wall.

5. Lace an end of the nylon restraint strap down through each bracket. Bring both ends together and slide the beaded end of the strap through the keyhole shaped slot in the other end unit until it is snug. Pull down on the beaded end until it snap locks into the keyhole.

6. Check to make sure the strap is securely laced and locked to the brackets.