

G97018 Mobile Book Case Assembly Instructions

For ages 3 and up. Adult assembly required.

⚠ WARNING

Small parts and sharp points may be present prior to assembly.

Care Instructions

To clean your product, use mild soap and water on a damp cloth. Do not use window cleaners or cleaning abrasives as they will scratch the surface and could damage the protective coating.

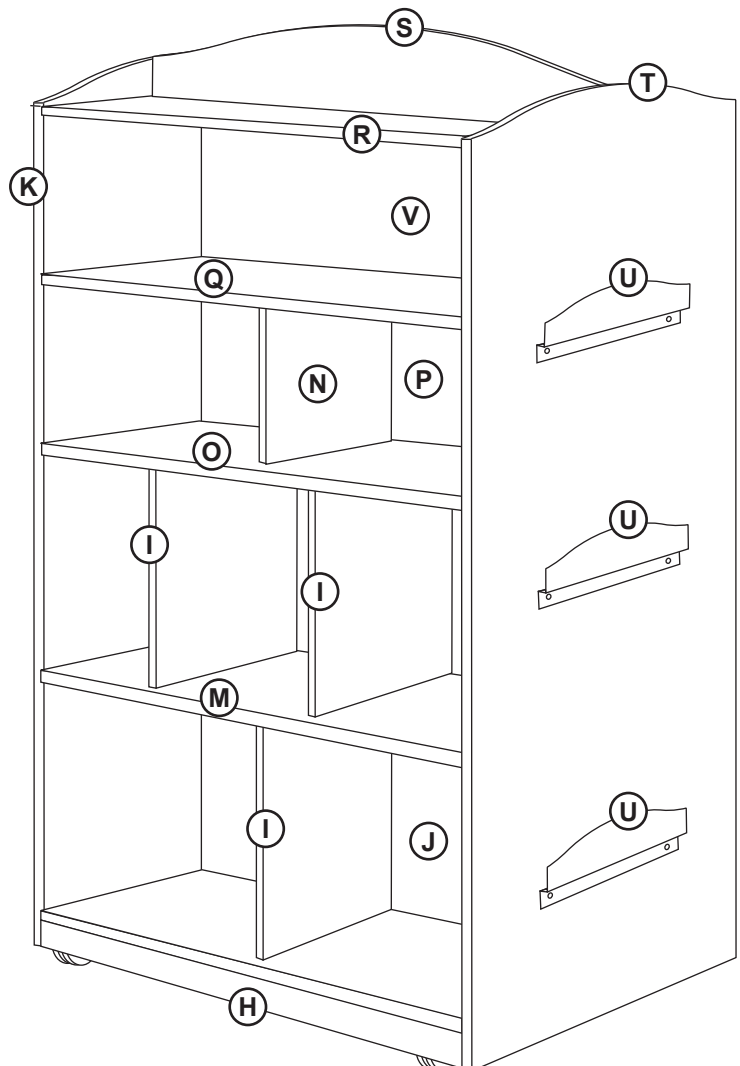
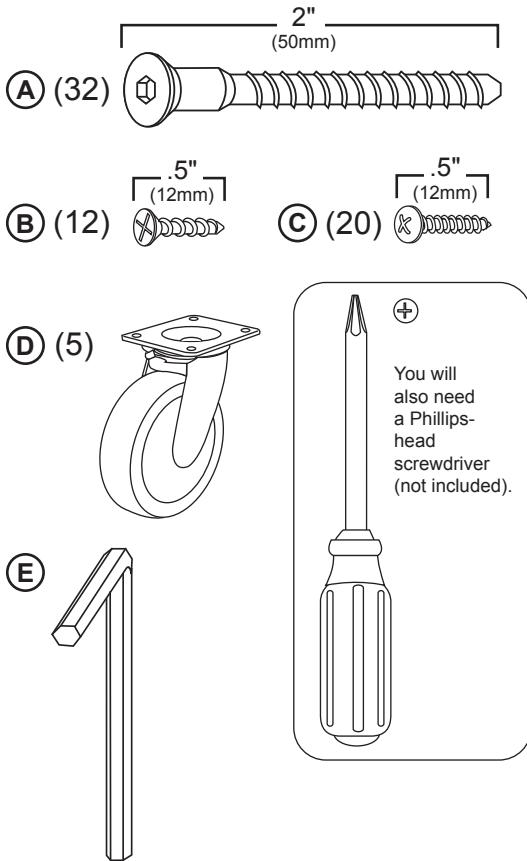
Customer Service

For questions regarding this product, or to receive replacement or missing parts, contact Customer Service at (800) 524-3555. Please have the model number and part number(s) located in this Assembly Instruction sheet available for reference.

Limited Warranty

All Guidecraft products are warranted to the original purchaser at the time of purchase and for a period of one (1) year thereafter. In order to provide you with timely assistance, please thoroughly inspect your product for missing or defective parts immediately after opening the carton. To receive replacement or missing parts under this warranty, contact Customer Service. You will also need your sales receipt or other proof of purchase.

Hardware and Parts



Assembly

Diagram 1

- 1. Attach casters (D) to bottom of base (H) using screw (C).

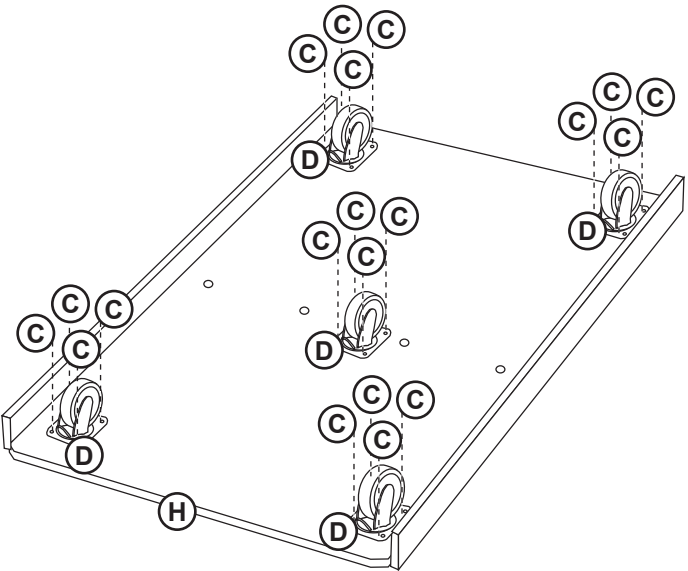


Diagram 1

Diagram 2

- 1. Attach dividers (I) to base (H) using screw (A).

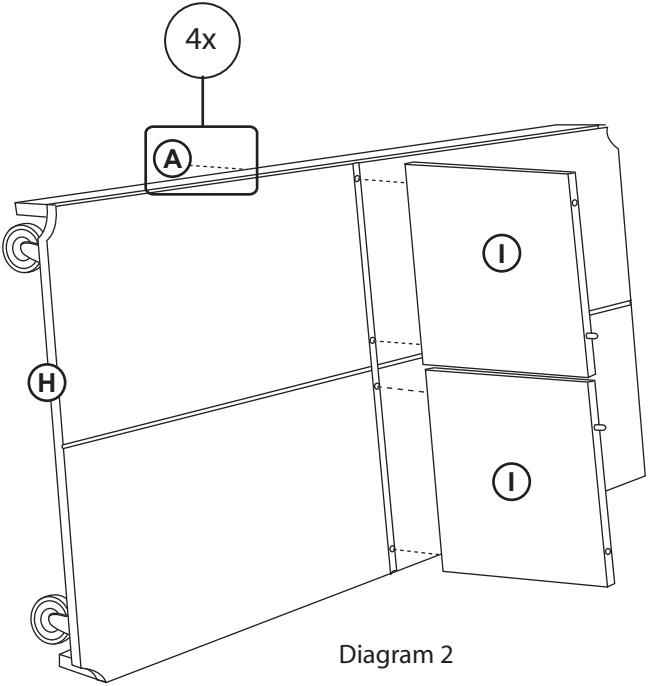


Diagram 2

Diagram 3

- 1. Slide center panel (J) between dividers (I).
- 2. Attach side (K) to base (H) using screw (A).

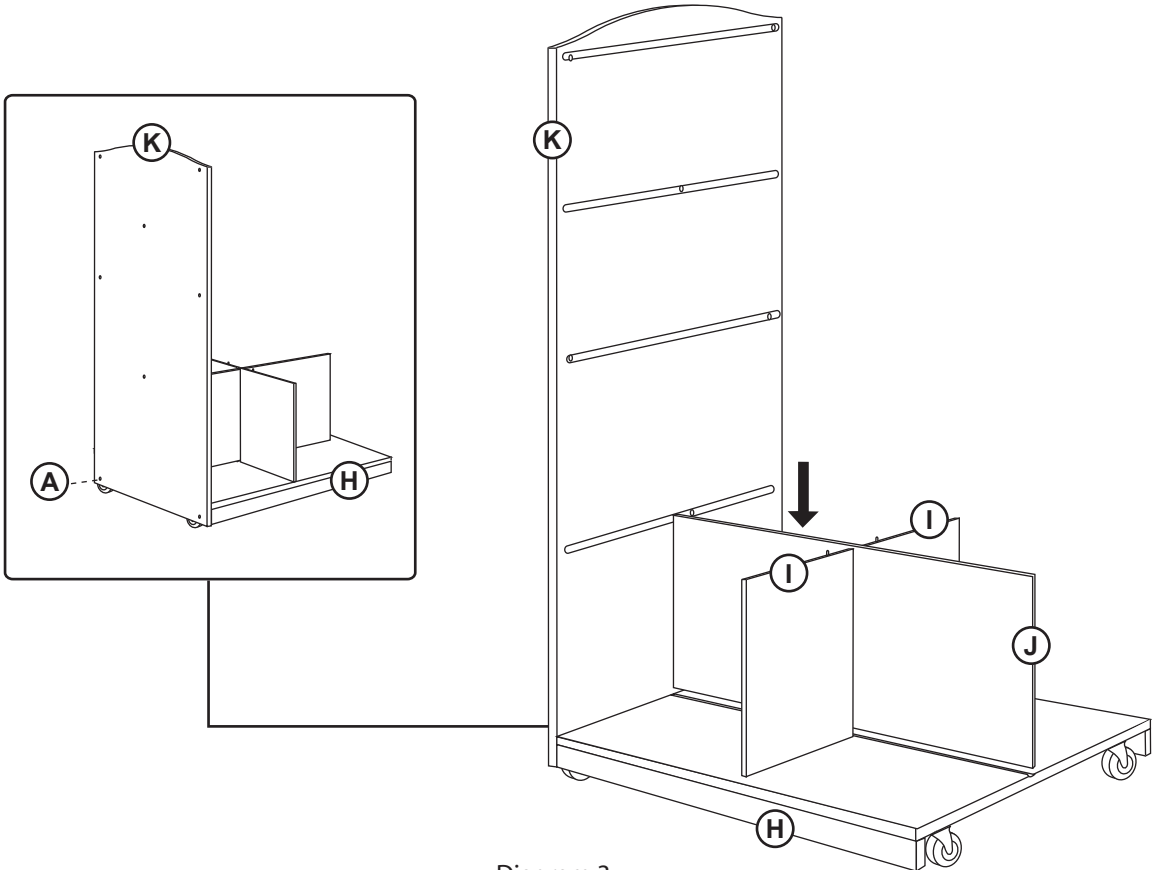


Diagram 3

Assembly (continued)

Diagram 4

1. Attach dividers (I) to shelf (M) using screw (A) (For ease of assembly, you will be assembling these pieces upside-down. When completed, flip this assembled section over.)

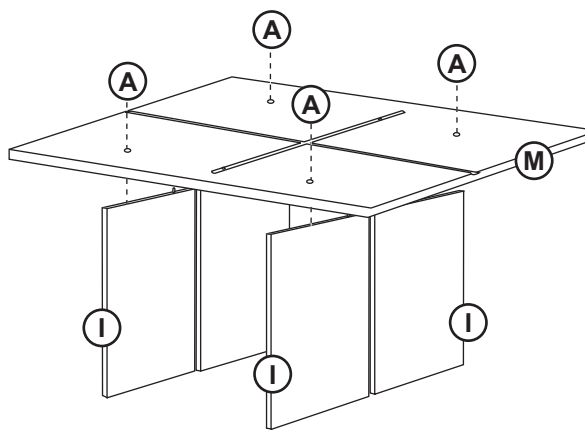


Diagram 4

Diagram 5

1. Place the completed unit from Diagram 4 onto the existing assembled bookcase.
2. Attach bottom dividers to shelf (M) using screw (A).
3. Slide center panel (J) between dividers (I).
4. Attach shelf (M) to side (K) using screw (A).

Diagram 6

1. Attach dividers (N) to shelf (O) using screw (A) (For ease of assembly, you will also be assembling these pieces upside-down. When completed, flip this assembled section over.)

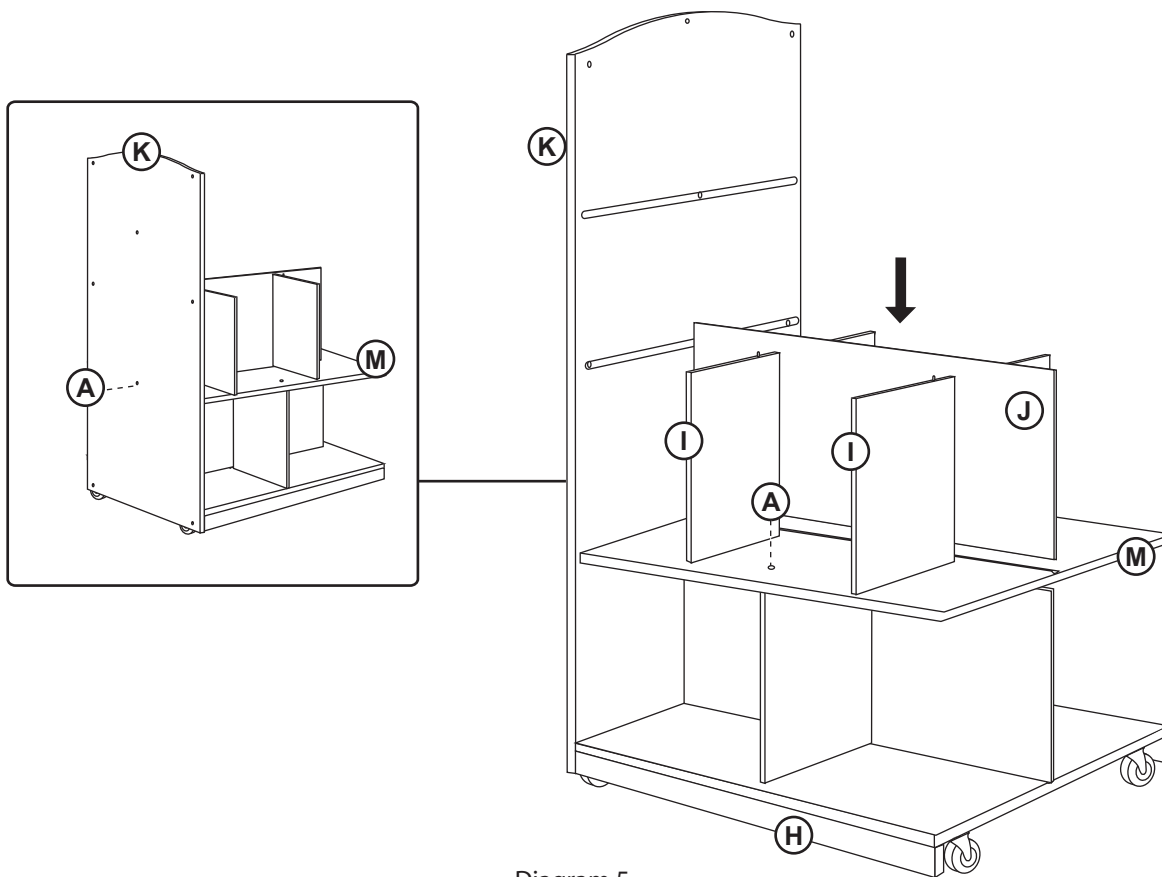


Diagram 5

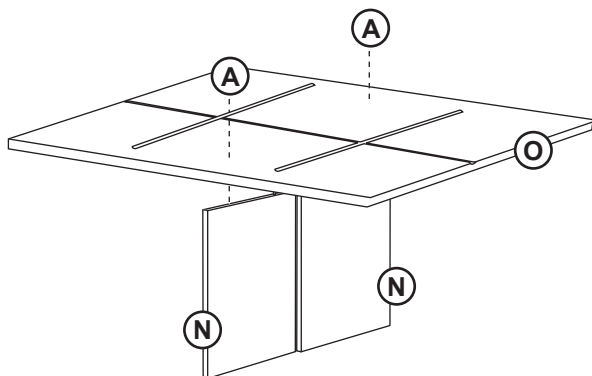
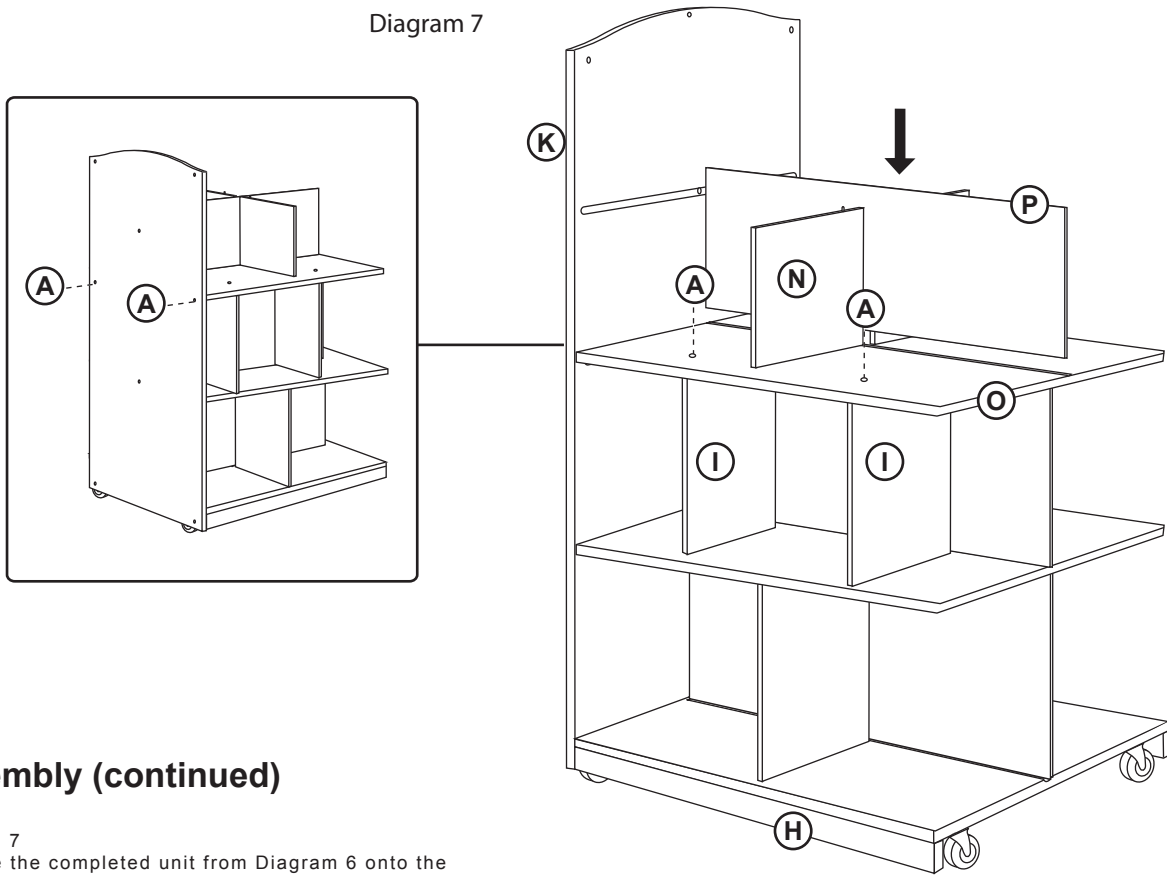


Diagram 6

Diagram 7



Assembly (continued)

Diagram 7

1. Place the completed unit from Diagram 6 onto the existing assembled bookcase.
2. Attach second tier dividers (I) to shelf (O) using screw (A).
3. Slide center panel (P) between dividers (N).
4. Attach shelf (O) to side (K) using screw (A).

Diagram 8

1. Attach shelf (Q) to existing assembled bookcase using screw (A).
2. Attach shelf (Q) to side (K) using screw (A).

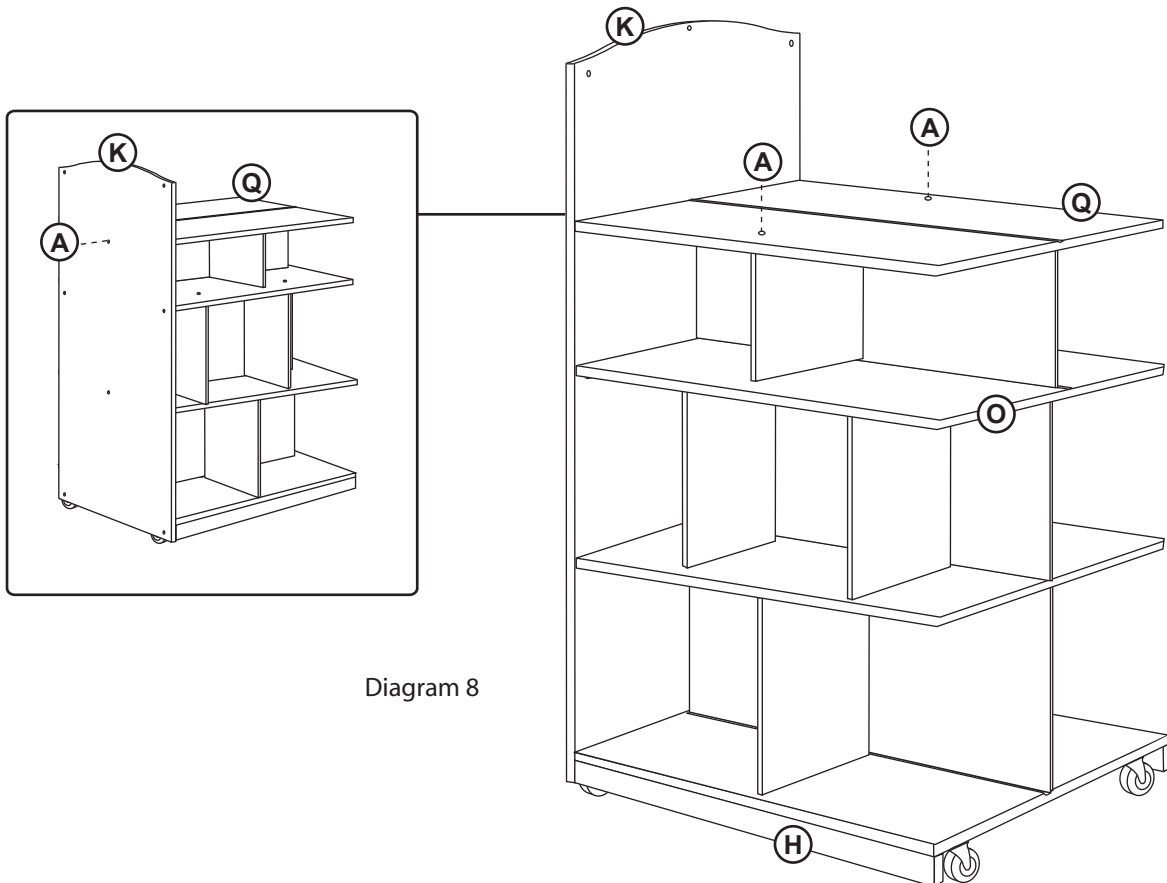


Diagram 8

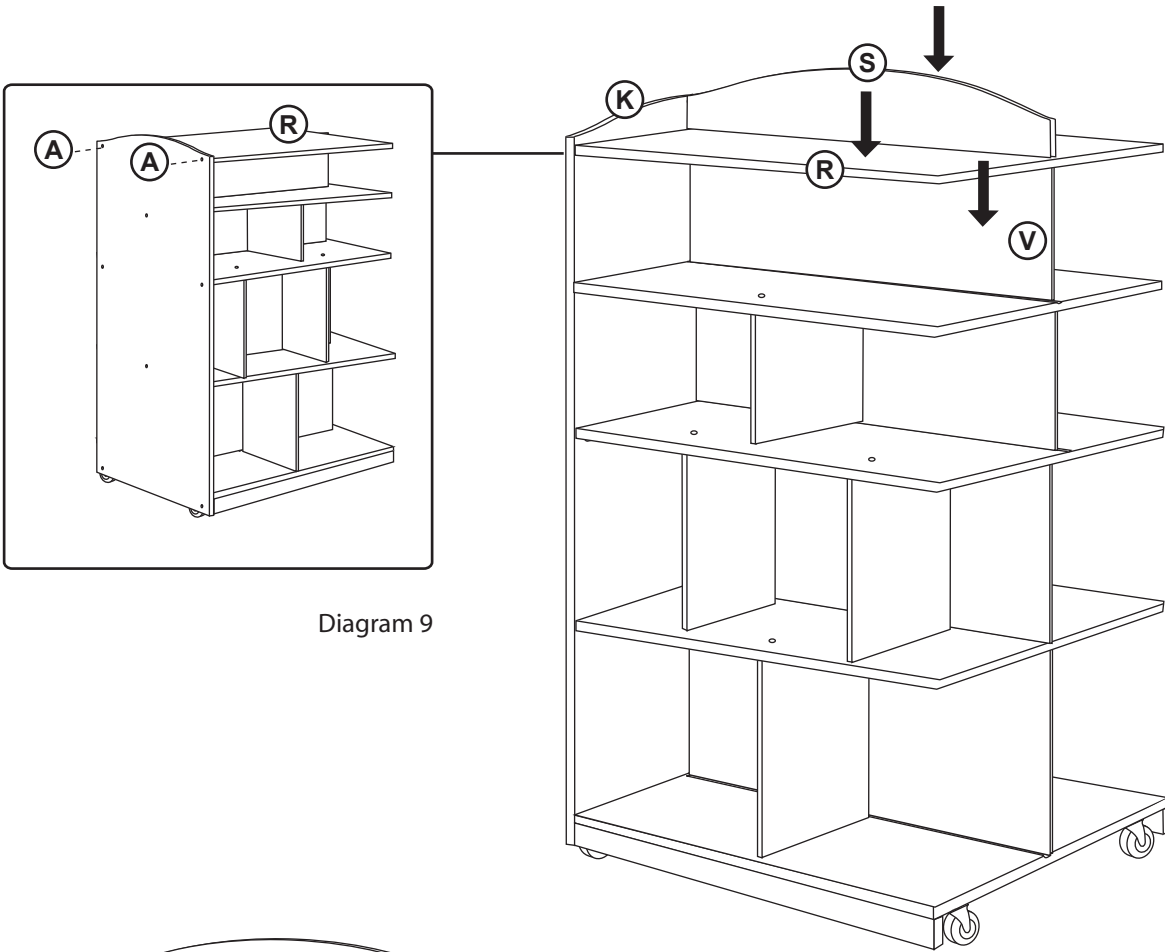


Diagram 9

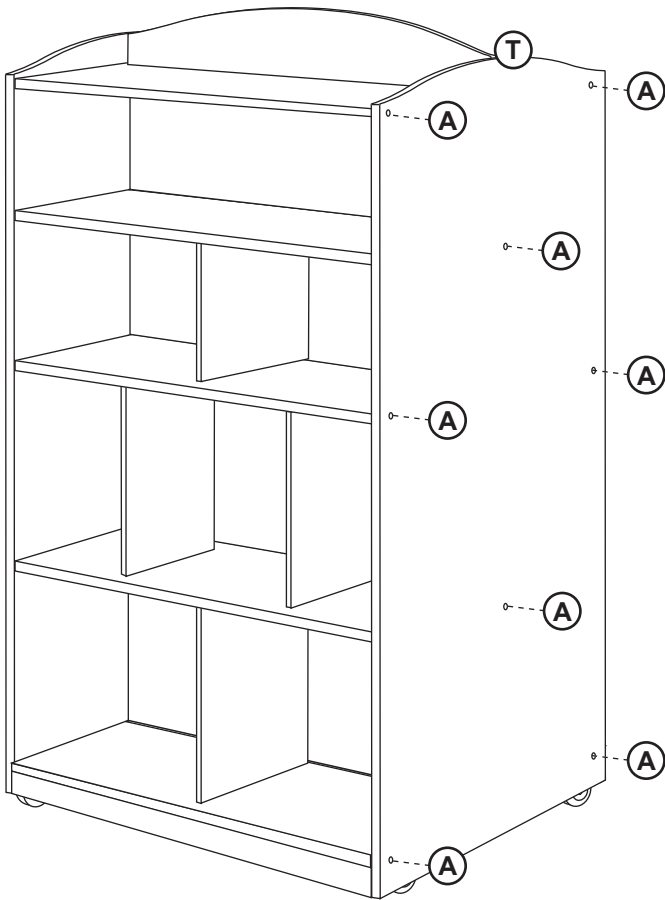


Diagram 10

Assembly (continued)

Diagram 9

1. Place divider (V) onto existing assembled bookcase.
2. Lay shelf (R) on top of divider (V).
3. Attach shelf (R) to side (K) using screw (A).
4. Place pediment (S) onto top of assembled bookcase.

Diagram 10

1. Attach side (T) to existing assembled bookcase using screw (A).

Diagram 11

2. Attach bookrest brackets (U) to sides (K) and (T) using screw (B).

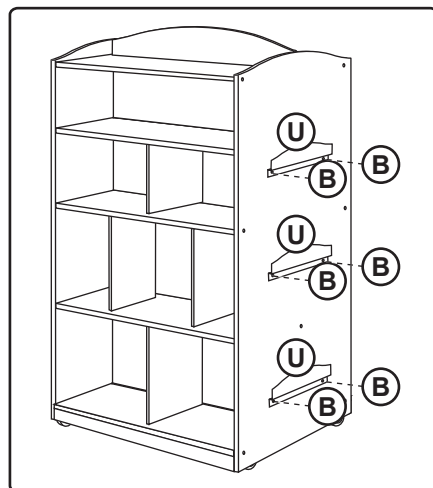


Diagram 11