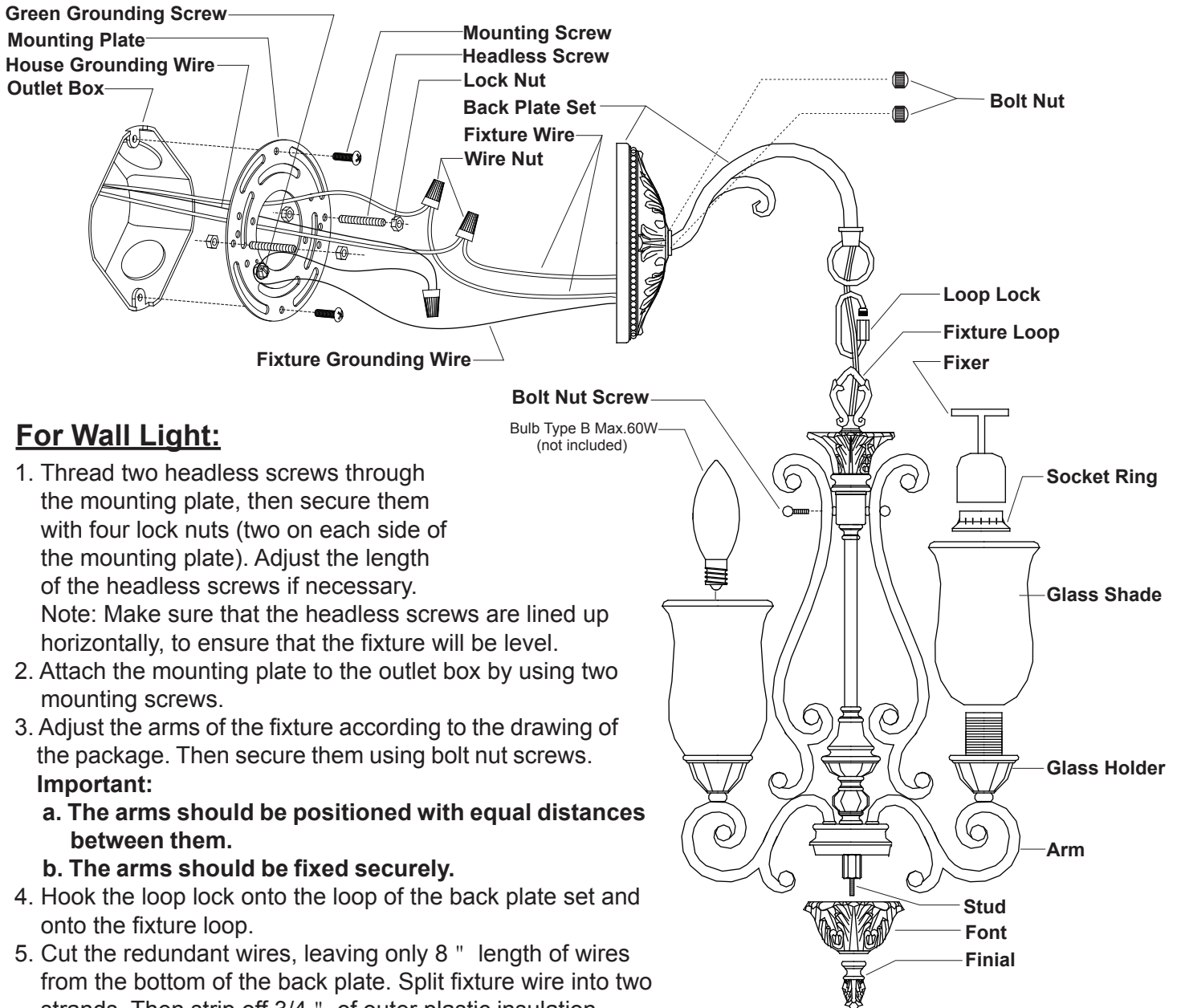


ASSEMBLY AND INSTALLATION INSTRUCTIONS

CA-WLU003

WARNING: BE SURE TO SHUT OFF POWER AT THE MAIN FUSE OR CIRCUIT BREAKER BOX BEFORE INSTALLING OR SERVICING THIS FIXTURE.

- NOTE:** 1. Before installing, consult local electrical codes for wiring and grounding requirements.
 2. This fixture can be installed as a chandelier, a semi-flush ceiling light or a wall light.
 3. **READ AND SAVE THIS INSTRUCTION.**



For Wall Light:

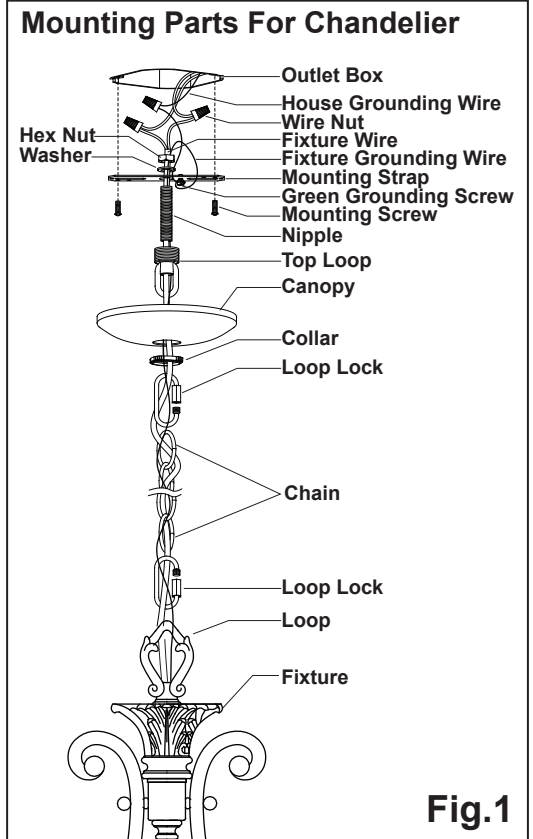
1. Thread two headless screws through the mounting plate, then secure them with four lock nuts (two on each side of the mounting plate). Adjust the length of the headless screws if necessary.
 Note: Make sure that the headless screws are lined up horizontally, to ensure that the fixture will be level.
 2. Attach the mounting plate to the outlet box by using two mounting screws.
 3. Adjust the arms of the fixture according to the drawing of the package. Then secure them using bolt nut screws.
- Important:**
- a. **The arms should be positioned with equal distances between them.**
 - b. **The arms should be fixed securely.**
4. Hook the loop lock onto the loop of the back plate set and onto the fixture loop.
 5. Cut the redundant wires, leaving only 8 " length of wires from the bottom of the back plate. Split fixture wire into two strands. Then strip off 3/4 " of outer plastic insulation.
 6. Pull out the outlet wires and the house grounding wire from the outlet box. Make wire connections using the wire nuts:
 - Connect the smooth wire (marked) from fixture to the black wire from power source.
 - Connect the ridged wire(unmarked) from fixture to the white wire from power source.
 - Attach the fixture grounding wire to the mounting strap with the green grounding screw. Then connect it to the house grounding wire with the wire nut.
 Carefully put wires back into the outlet box.
 7. Attach the back plate to the mounting plate by inserting the headless screws, then secure it with two bolt nuts.
 8. Attach the glass shades onto the glass holders and secure them with the socket rings, using supplied fixer.
 9. Install bulbs (not included). See relamping label at socket area or packaging for maximum allowed wattage.
 10. Slip the font up through the stud until it checks with the bottom of the fixture, then secure it with the finial.
 11. Turn on the power at the main fuse or circuit breaker box.

VAXCEL
LIGHTING

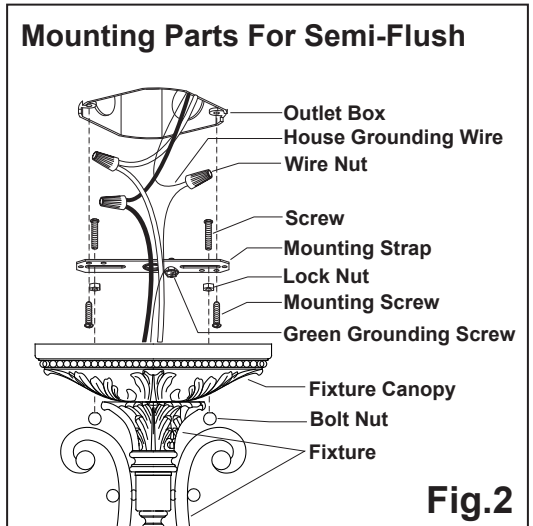
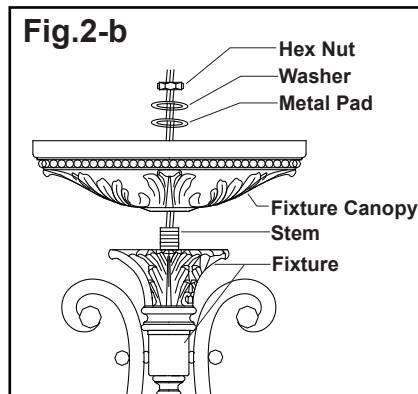
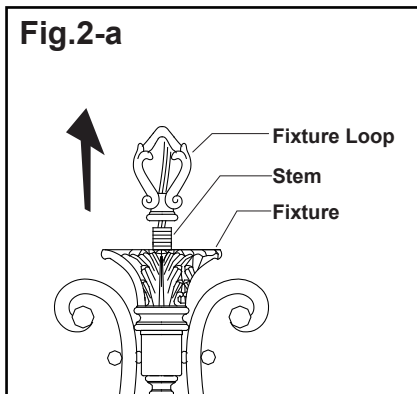
081121

For Chandelier: (See Fig.1)

1. Take out the parts from the hardware package For Chandelier.
2. Attach the nipple to the mounting strap, and secure it with a washer and hex nut.
3. Attach the mounting strap to the outlet box by using two mounting screws.
4. Secure the top loop to the nipple.
5. Follow step 3 as For Wall Light.
6. Choose the length of the chain you need, then weave the fixture wire and the fixture grounding wire through the chain, collar and canopy.
7. Connect one end of the chain with the loop by using a loop lock.
8. Connect the other end of the chain with the top loop by using another loop lock.
9. Thread the fixture wire and fixture grounding wire through the top loop, nipple and mounting strap.
10. Cut the redundant wires if necessary. Pull out the outlet wires and the house grounding wire from the outlet box. Make wire connections using the wire nuts:
 - Connect the smooth wire (marked) from fixture to the black wire from power source.
 - Connect the ridged wire(unmarked) from fixture to the white wire from power source.
 - Attach the fixture grounding wire to the mounting strap with the green grounding screw. Then connect it to the house grounding wire with the wire nut.
 Carefully put wires back into the outlet box.
11. Attach the canopy to the mounting strap by inserting the top loop, and secure it with the collar.
12. Follow steps 8~11 as For Wall Light.



For Semi-Flush: (See Fig.2)



1. Take out the parts from the hardware package For Semi-Flush.
2. Attach two screws to the mounting strap, and secure it with two lock nuts. Adjust the length of the screws if necessary.
3. Attach the mounting strap to the outlet box by using two mounting screws.
4. Remove the fixture loop from the stem of the fixture. Then slip the fixture canopy through the fixture wires and stem, secure it with a metal pad, washer and hex nut. (See Fig. 2-a & Fig. 2-b).
5. Follow step 3 as For Wall Light.
6. Cut the redundant wires if necessary. Pull out the outlet wires and the house grounding wire from the outlet box. Make wire connections using the wire nuts:
 - Connect the smooth wire (marked) from fixture to the black wire from power source.
 - Connect the ridged wire(unmarked) from fixture to the white wire from power source.
 - Attach the fixture grounding wire to the mounting strap with the green grounding screw. Then connect it to the house grounding wire with the wire nut.
 Carefully put wires back into the outlet box.
7. Attach the fixture canopy to the mounting strap, and secure it with the bolt nuts.
8. Follow steps 8~11 as For Wall Light.