

ASSEMBLY AND INSTALLATION INSTRUCTIONS

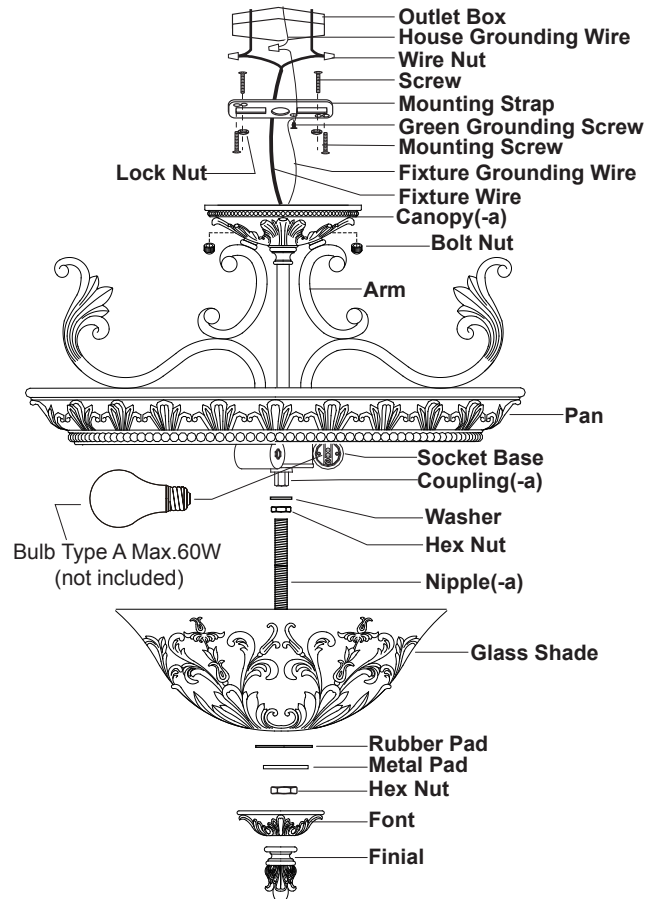
CA-CFU170

WARNING: BE SURE TO SHUT OFF POWER AT THE MAIN FUSE OR CIRCUIT BREAKER BOX BEFORE INSTALLING OR SERVICING THIS FIXTURE.

**NOTE: 1. Before installing, consult local electrical codes for wiring and grounding requirements.
2. READ AND SAVE THESE INSTRUCTIONS.**

For Semi-Flush

1. Attach two screws to the mounting strap, then secure them with two lock nuts. Adjust the length of the headless screws if necessary.
2. Attach the mounting strap to the outlet box by using two mounting screws.
3. Remove the nipple(-c) and the coupling(-b) from the fixture.
4. Cut the redundant wires if necessary. Pull out the outlet wires and the house grounding wire from the outlet box. Make wire connections with wire nuts:
 - The smooth wire (marked) from the fixture to the black wire from the power source.
 - The ridged wire (unmarked) from the fixture to the white wire from power source.
 - Attach the fixture grounding wire to the mounting strap with the green grounding screw. Then connect it to the house grounding wire with the wire nut.
 Carefully put the wires back into the outlet box.
5. Attach the canopy(-a) to the mounting strap by inserting the screws, then secure them with the bolt nuts.
6. Screw nipple(-a) into the coupling(-a) on the socket base, then secure it with a washer and a hex nut.
7. Install bulbs (not included). See relamping label at socket area or packaging for maximum allowed wattage.
8. Attach the glass shade to the pan by inserting the nipple(-a), then secure them with a rubber pad, metal pad and a hex nut.
9. Attach the font upward to the glass shade by inserting nipple(-a), then secure it with the finial.
10. Turn on the power at the main fuse or circuit breaker box.



For Pendant: (See Fig.1)

1. Attach nipple(-b) to the mounting strap, then secure it with a washer and a hex nut.
2. Attach the mounting strap to the outlet box by using two mounting screws.
3. Secure the top loop to nipple(-b).
4. Screw the coupling(-b) to the stem of the fixture, then screw the nipple(-c) to the coupling(-b) tightly. Then secure the loop onto the nipple(-c).
5. Choose the length of the chain you need, then weave the fixture wire and the fixture grounding wire through the chain, collar and canopy(-b).
6. Connect one end of the chain with the loop by using a loop lock.
7. Connect the other end of the chain with the top loop by using another loop lock.
8. Thread the fixture wire and fixture grounding wire through the top loop, nipple(-a) and mounting strap.
9. Follow step 4 as for Semi-Flush.
10. Attach canopy(-b) to the mounting strap by inserting the top loop, then secure it with the collar.
11. Follow steps 6-10 as for Semi-Flush.

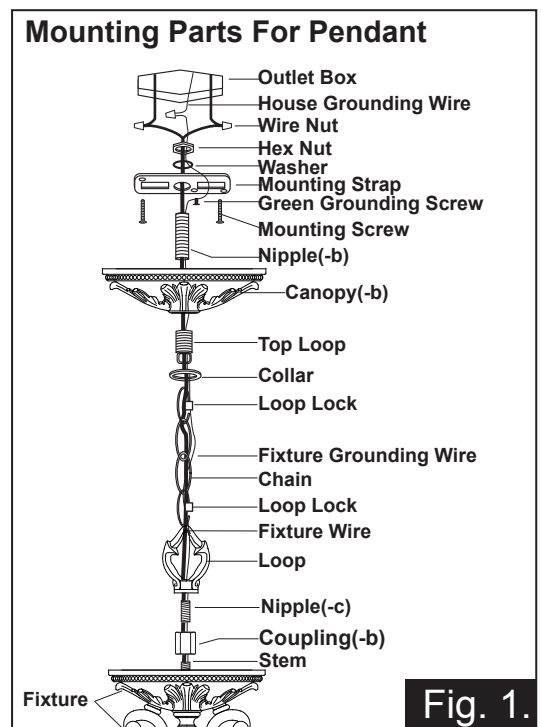


Fig. 1.