

ASSEMBLY AND INSTALLATION INSTRUCTIONS

BE-CFU170

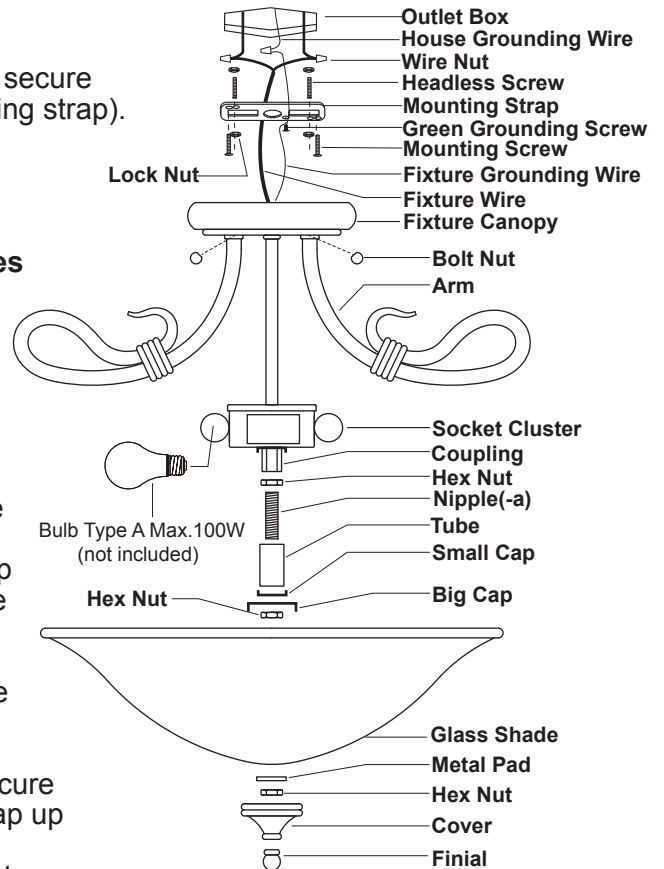
WARNING: BE SURE TO SHUT OFF POWER AT THE MAIN FUSE OR CIRCUIT BREAKER BOX BEFORE INSTALLING OR SERVICING THIS FIXTURE.

**NOTE: 1. Before installing, consult local electrical codes for wiring and grounding requirements.
2. READ AND SAVE THIS INSTRUCTION.**

For Semi-Flush:

1. Attach two headless screws to the mounting strap, then secure them with four lock nuts (two on each side of the mounting strap). Adjust the length of the headless screws if necessary.
2. Attach the mounting strap to the outlet box by using two mounting screws.
3. Adjust the arms of the fixture.
 - a. **The arms should be positioned with equal distances between them.**
 - b. **The arms should be fixed securely.**
4. Cut the redundant wires if necessary. Pull out the outlet wires and the house grounding wire from the outlet box. Make wire connections using the wire nuts:
 - Connect the smooth wire (marked) from fixture to the black wire from power source.
 - Connect the ridged wire(unmarked) from fixture to the white wire from power source.
 - Attach the fixture grounding wire to the mounting strap with the green grounding screw. Then connect it to the house grounding wire with the wire nut.

Carefully put wires back into the outlet box.
5. Unscrew two bolt nuts from the fixture canopy. Attach the fixture canopy to the mounting strap, and secure it with the bolt nuts.
6. Screw nipple(-a) to the coupling of the socket cluster, secure it with a hex nut. Then slip the tube, small cap and big cap up through nipple(-a), secure them with a hex nut.
7. Install bulbs (not included). See relamping label at socket area or packaging for maximum allowed wattage.
8. Slip the glass shade up through nipple(-a) and secure it with a metal pad and hex nut. Slide the cover up to glass shade, and secure it with the finial.
9. Turn on the power at the main fuse or circuit breaker box.



For Pendant: (See Fig.1)

1. Attach nipple(-b) to the mounting strap, and secure it with a washer and hex nut.
2. Attach the mounting strap to the outlet box by using two mounting screws.
3. Secure the top loop to nipple(-b).
4. Follow Step 3 of instructions For Semi-Flush.
5. Secure the loop onto nipple(-c).
6. Choose the length of the chain you need, then weave the fixture wire and the fixture grounding wire through the chain, collar and canopy.
7. Connect one end of the chain with the loop by using a loop lock.
8. Connect the other end of the chain with the top loop by using another loop lock.
9. Thread the fixture wire and fixture grounding wire through the top loop, nipple(-b) and mounting strap.
10. Follow Step 4 of instructions For Semi-Flush.
11. Attach the canopy to the mounting strap by inserting the top loop, and secure it with the collar.
12. Follow Steps 6~9 of instructions For Semi-Flush.

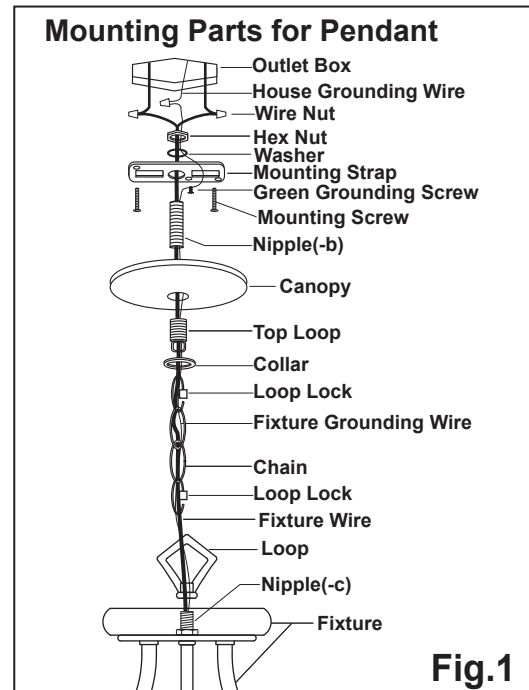


Fig.1