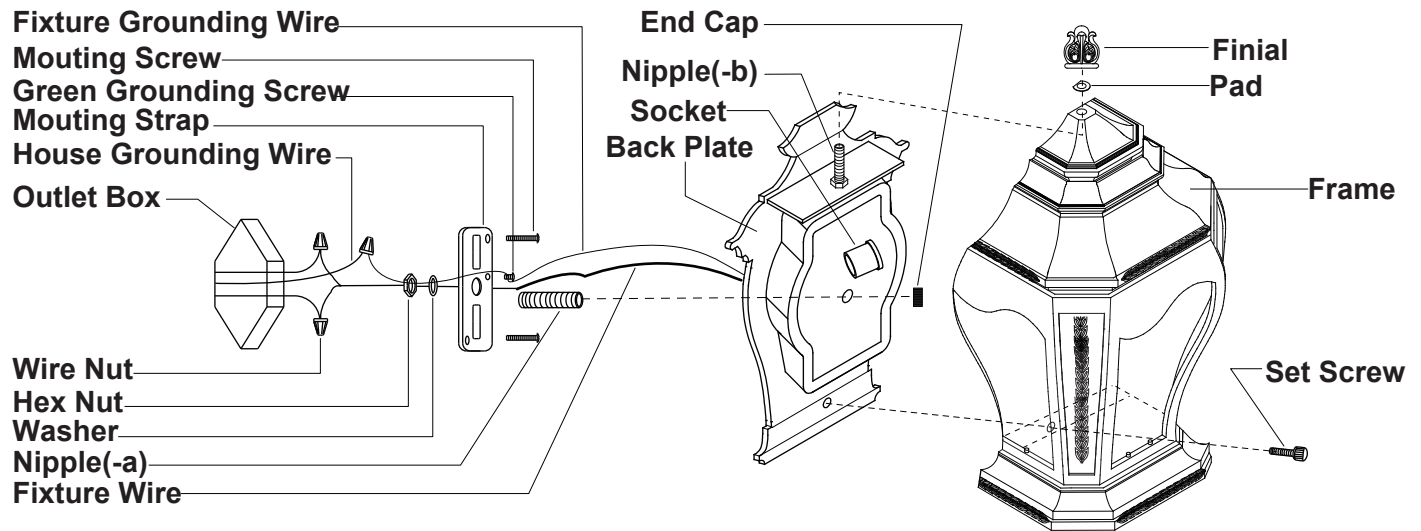


# ASSEMBLY AND INSTALLATION INSTRUCTIONS

AC-OWH080

**WARNING: BE SURE TO SHUT OFF POWER AT THE MAIN FUSE OR CIRCUIT BREAKER BOX BEFORE INSTALLING OR SERVICING THIS FIXTURE.**

NOTE: 1. Before installing, consult local electrical codes for wiring and grounding requirements.  
2. READ AND SAVE THIS INSTRUCTION.



1. Attach nipple(-a) to the mounting strap, then secure it with a washer and hex nut.
2. Attach the mounting strap to the outlet box by using two mounting screws.
3. Pull out the outlet wires and house grounding wire from the outlet box. Make wire connections using wire nuts:
  - The black wire from the fixture to the black wire from the power source.
  - The white wire from the fixture to the white wire from the power source.
  - Attach the fixture grounding wire to the mounting strap with the green grounding screw. Then connect it to the house grounding wire with a wire nut.Carefully put the wires back into the outlet box.
4. Attach the back plate to the mounting strap by inserting nipple(-a), then secure it with the end cap.
5. Install a bulb (not included). See relamping label at socket area or packaging for maximum allowed wattage.
6. Attach the frame to the back plate with nipple(-b) through the top hole of the frame, Secure the set screw through the hole in the frame to the back plate. Then secure a pad and finial onto nipple(-b).
7. Turn on the power at the main fuse or circuit breaker box.