

YOSEMITE

STAINLESS STEEL SINKS



MAGNUM 300

Description

Double Layer Oval Sink

Size

19-1/8" x 16-1/8" x 7" deep

Features

T-304, 18 Gauge Stainless Steel*

1-3/4" Drain Opening

Overflow Hole

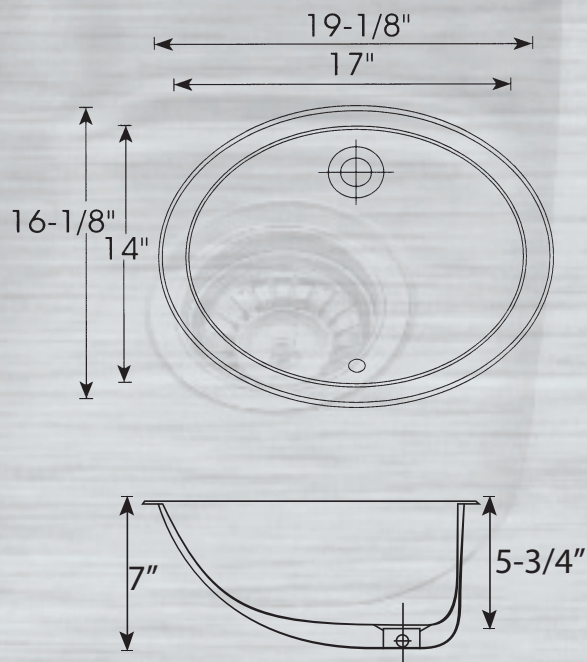
Finish

Satin Finish

Installation

Drop-in or Undercounter Installation

Supplied with Fasteners



*This high quality Yosemite sink is a heavy gauge, type 304 (18/8), surgical grade, stainless steel for maximum durability - 18% chromium (for shine) and 8% nickel (for rust resistance).