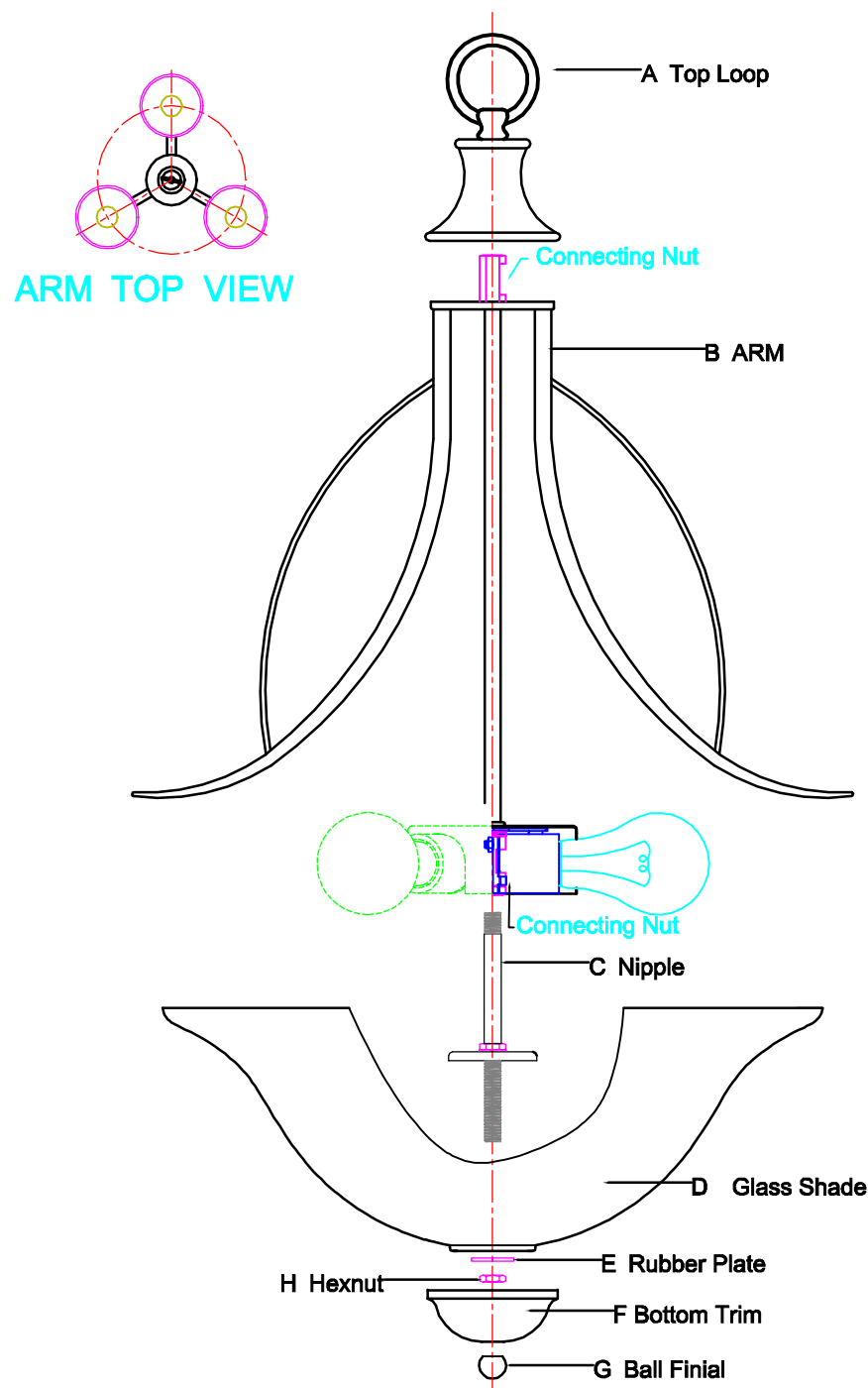


Assembly Instruction

ITEM#113-3B-ORB



ASSEMBLY PROCEDURES:

- 1、Screw the Top Loop (A) into the Connecting Nut at the top of the fixture.
- 2、Spread out the Arms (B) at two tiers and see if it's the same as shown on the Top View.
- 3、Screw the Nipple (C) into the Connecting Nut of the Socket, and then put it through the Glass Shade (D) and the Rubber Plate (E) and then secure them together with the Hexnut (H).
- 4、Attach the Bottom Trim (F) under the Glass Shade (D) and then fix them with the Bottom Finial (G).
- 5、Install the Bulb (B).