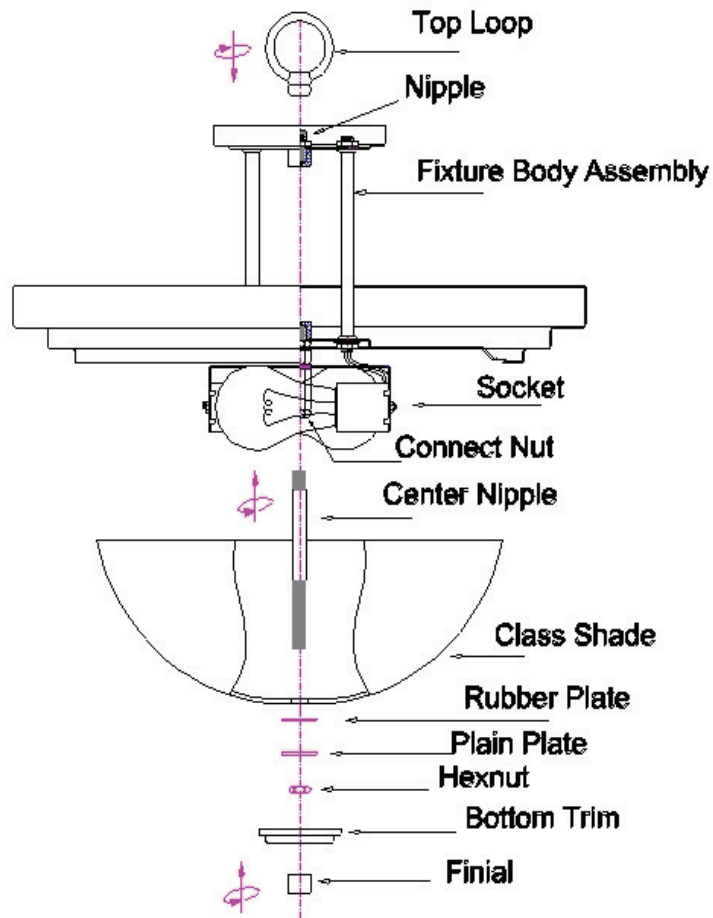


ASSEMBLY INSTRUCTION

4202-2SN



INSTALLATION PROCEDURE

1. Screw the top loop into the nipple of the fixture body assembly tightly.
2. Screw the center nipple to the connecting nut of fixture body assembly in place. Pass the center nipple through the glass shade, rubber plate and plain plate and secure them tightly with the Hexnut.
3. Place the bottom-trim under the glass shade and secure it with the finial.