

WASHERLESS

LAVATORY

Features:

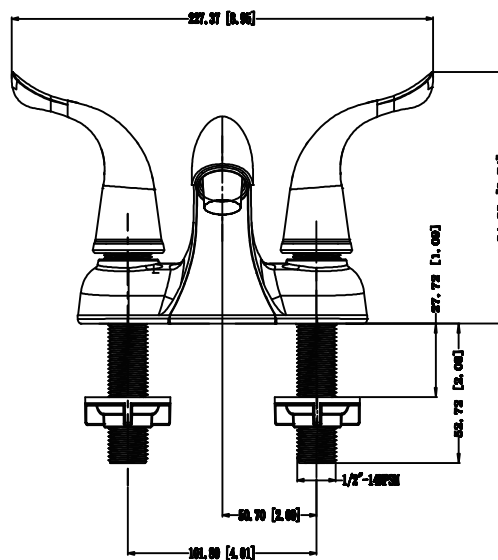
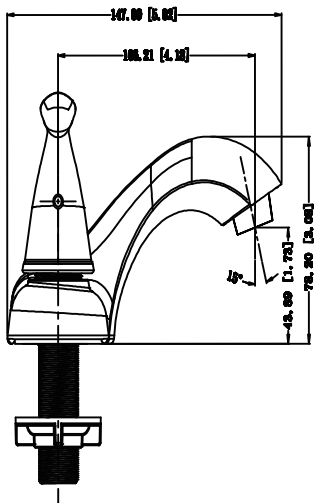
- Metal Lever Handle
- Washerless Cartridge
- Max Flow Rate 2.0GPM(7.56LPM) at 60 PSI(ASME.A112.18.1M)



YP47VF-PC
Chrome Finish

YP47VF-BN
Brush Nickel Finish

YP47VF-ORB
Oil Rubbed Bronze Finish



Approval:
Meets or Exceeds The
following
*ANSI/ASME A112.18.1M
*ANSI/NSF 61-Sec.9
*IAPMO/UPC



WASHERLESS

LAVATORY

Features:

- Metal Lever Handle
- Washerless Cartridge
- Max Flow Rate 2.0GPM(7.56LPM) at 60 PSI(ASME.A112.18.1M)



YP47VF-PC
Chrome Finish

YP47VF-BN
Brush Nickel Finish

YP47VF-ORB
Oil Rubbed Bronze Finish

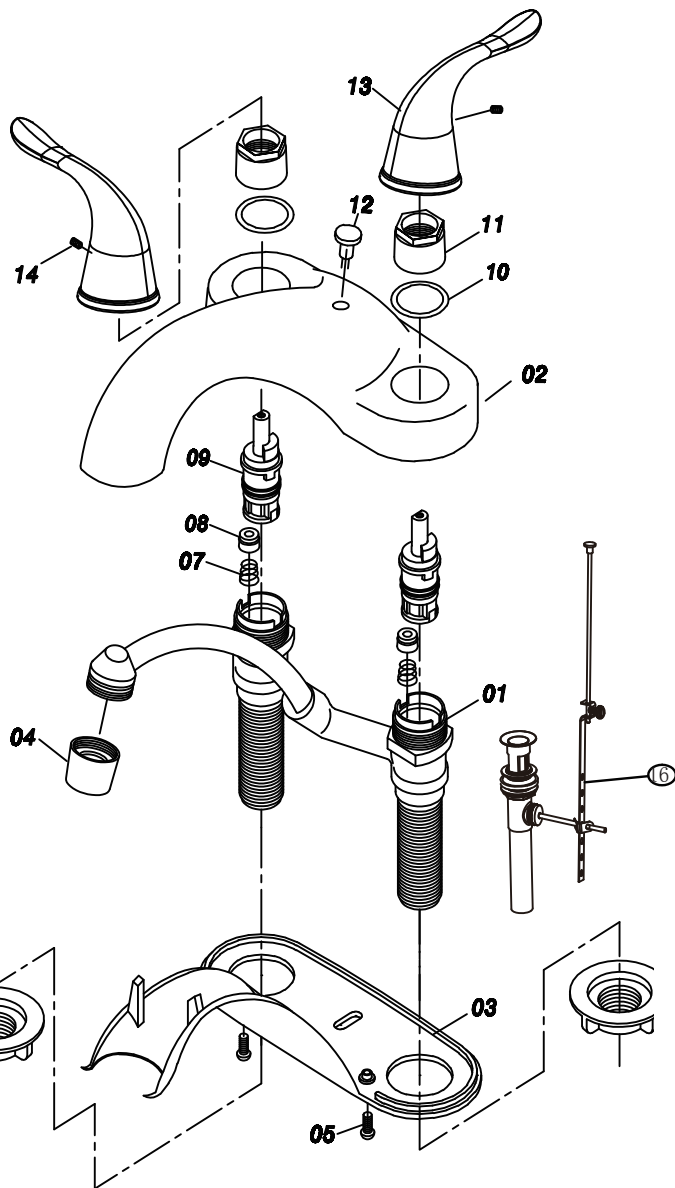
Approval:

Meets or Exceeds The following

*ANSI/ASME A112.18.1M

*ANSI/NSF 61-Sec.9

*IAPMO/UPC



No.	Component Description
1	Waterway
2	Escutcheon
3	Putty Plate
4	Aerator
5	Screw
6	Mounting Nut
7	Spring
8	Seat
9	Cartridge
10	Nylon Spacer
11	Cartridge Nut
12	Lift Rod
13	Handle
14	Set Screw
15	Pop-up