

INSTALLATION INSTRUCTIONS

Stone

VESSEL SINKS



YOSEMITE
HOME DÉCOR

www.YosemiteHomeDecor.com
1-800-305-9872

READ FIRST!!!

Observe all local plumbing and building codes.

Follow these instructions only if it applies to your installation. Vessel sinks allow you to be creative and flexible with your installation.

Before installation, remove your new stone sink and carefully inspect it for damage. Return the stone sink to its packaging until you are ready to install it.

These instructions contain important care and cleaning instructions. Please review these instructions carefully.

ABOVE COUNTER/ TOPMOUNT INSTALLATION

STEP 1:

Carefully set the sink in the outlined drain hole opening.

STEP 2:

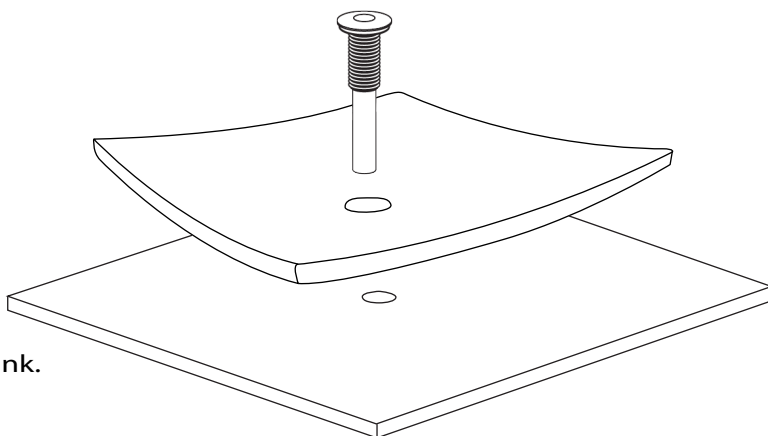
To secure the sink on the countertop, use a silicon sealer. Use moderate force and hand-tighten the drain kit to the sink.

STEP 3:

Install the faucet and drains according to the manufacturer's instruction manual.

STEP 4:

We recommend sealing your sink before first use and regularly atleast once a year with your natural stone sink sealer. Refer to the instructions on the stone sealer container for correct application.



CARE INSTRUCTIONS

To maintain the beauty of your granite, marble, onyx or travertine sink we recommend you wipe the sink down after each use with a soft cloth. In addition, clean regularly with granite or marble cleaner. Note that stone surfaces can be easily etched by cleaning products containing acids. Clean, polish and seal only with products meant for natural stone materials. Wipe your stone sink often so that it does not accumulate soap scum. With proper care, stone sinks can add elegance to your bathroom for many years.

**Do not use plumbers putty or oil-based sealers with this product.
These products will stain the surfaces permanently.**

** **NOTE:** Sink model, design, shape, cutout on top, vanity may vary from the picture above.
The diagram is for Instructional purposes only.