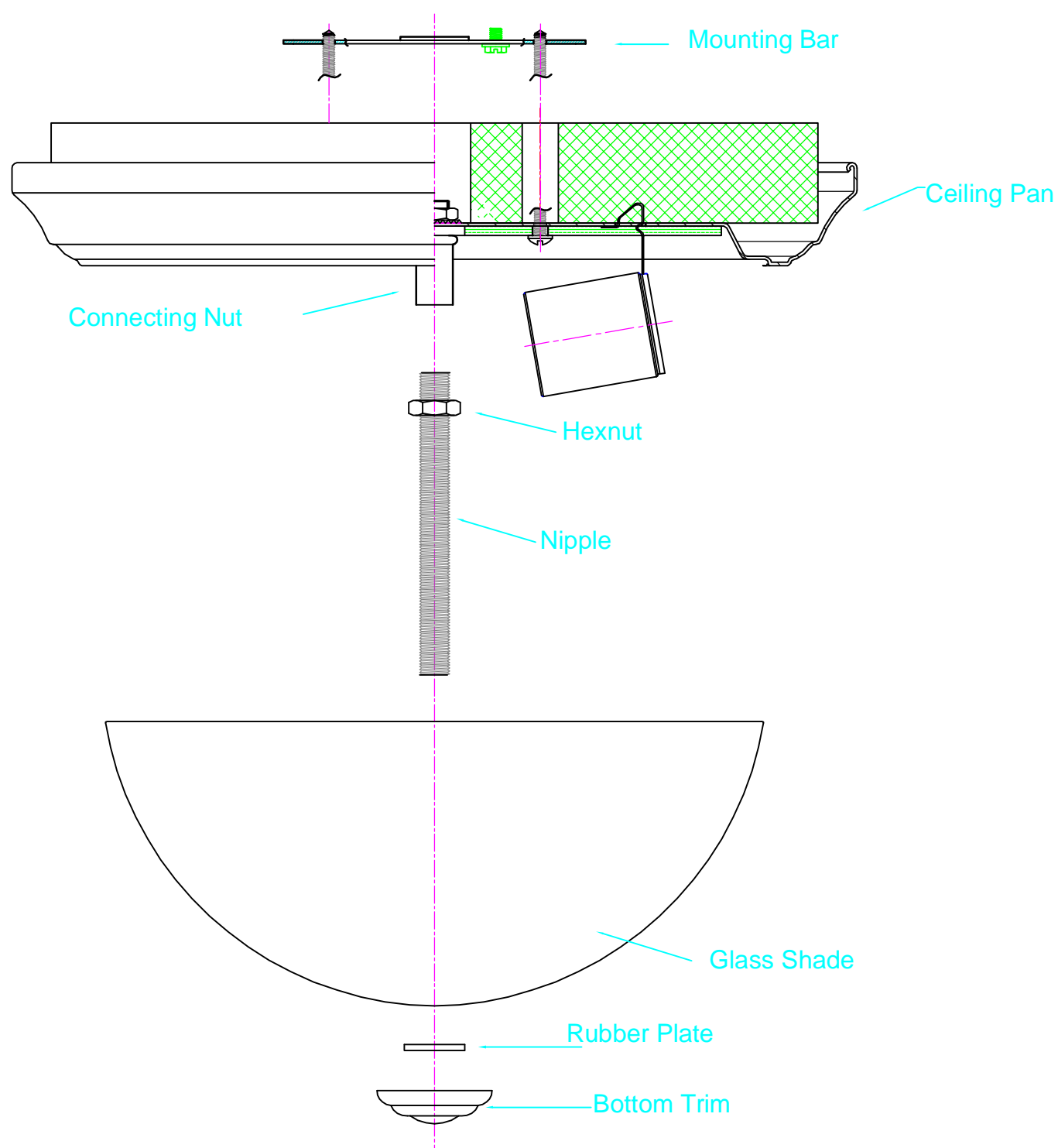


ASSEMBLY INSTRUCTION

ITEM#JK101-11SN



ASSEMBLY PROCEDURES:

- 1) Screw the Nipple into the Connecting Nut of Ceiling Pan and fix it with Hexnut tightly.
- 2) Install Bulbs
- 3) Put the Rubber Plate and the Glass Shade through the Nipple and then secure them by Bottom Trim in place.