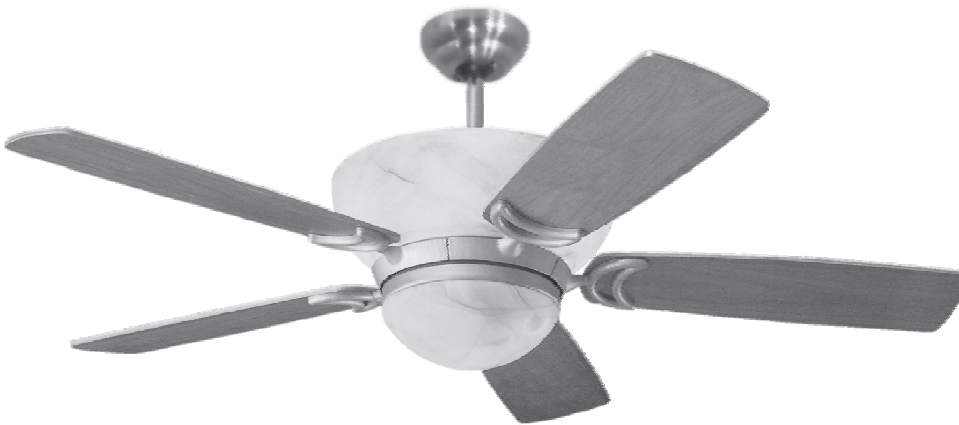


Owners Manual



56" Maui Breezes
N.W. : 13.00 kgs.
G.W. : 15.00 kgs.



56" Bel Air
N.W. : 12.00 kgs.
G.W. : 14.00 kgs.



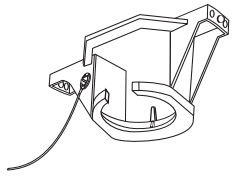
Warning : Read and follow these instructions carefully and be mindful of all warnings shown throughout.

READ AND SAVE THESE INSTRUCTIONS

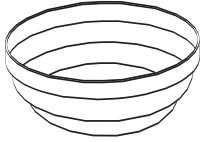
WARNING : TO REDUCE THE RISK OF FIRE, ELECTRICAL SHOCK, OR INJURY TO PERSONS, PLEASE OBSERVE THE FOLLOWING :

1. To ensure the success of the installation, be sure to read the instructions and review the diagrams thoroughly before beginning.
- 2]. To avoid possible electric shock, be sure electricity is turned off at the main power box before wiring. All electrical connections must be made in accordance with local codes, ordinances and/or the National Electric Code. If you are unfamiliar with the methods of installing electrical wiring and products, secure the services of a qualified and licensed electrician as well as someone who can check the strength of the supportive ceiling members and make the proper installations and connections.
- 3]. Make sure that your installation site will not allow rotating fan blades to come in contact with any object. Blades should be at least 7 feet from floor when fan is in operation.
- 4]. If possible, mount ceiling fan on a ceiling joist - the joist must be able to support the motion and weight of the moving fan. If the fan will be mounted on a ceiling outlet box, a 4" x 2-1/8" deep METAL octagon box is required ; one UL listed as " suitable for fan support ". The box and its supporting members must not be able to twist or work loose. DO NOT USE PLASTIC BOXES. Installation on a concrete ceiling should be performed by qualified personnel.
- 5]. Blades should be attached after motor housing is hung and in place. Fan motor housing should be kept in carton until ready to be installed to protect its finish. If you are installing more than one ceiling fan, make sure that you do not mix fan blade sets.
- 6]. After making electrical connections, spliced conductors should be turned upward and pushed carefully up into outlet box. The wires should be spread apart with the grounded conductor and the equipment - grounding conductor on one side of the outlet box and the " HOT " wires on the other side.
- 7]. Electrical diagrams are for reference only. Light kits that are not packed with the fan must be UL listed and should be installed per the light kit's installation instructions.
- 8]. After fan is completely installed, check to make sure that all connections are secure to prevent fan from falling and/or causing damage or injury.
- 9]. The fan is ready for operation after installation. The bearings are adequately lubricated. No additional lubrication is necessary.
- 10]. The fan must be turned off and stopped before reversing fan direction.
- 11]. This fan is suitable for indoor use only.
- 12]. This fan is suitable for use with solid-state speed control.

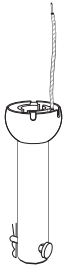
1. Unpack and inspect fan carefully to be certain all contents are included.



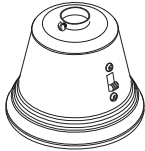
Mounting
Bracket



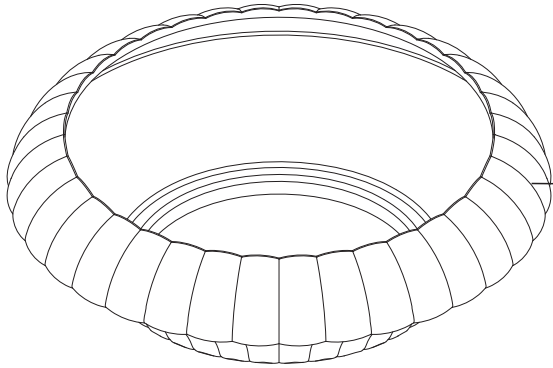
Canopy



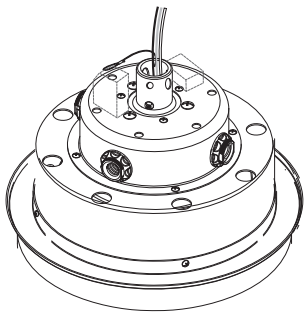
Downrod
Assembly



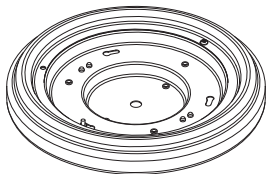
Yoke Cover



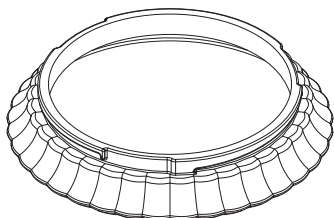
Up Glass
Shade



Fan Assembly



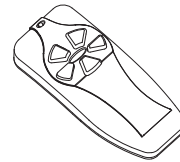
Light Kit
Housing



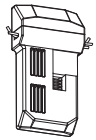
Down Glass
Shade

Remote

Transmitter



Receiver

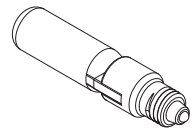


Suitable for use with solid-state speed control

Bulbs



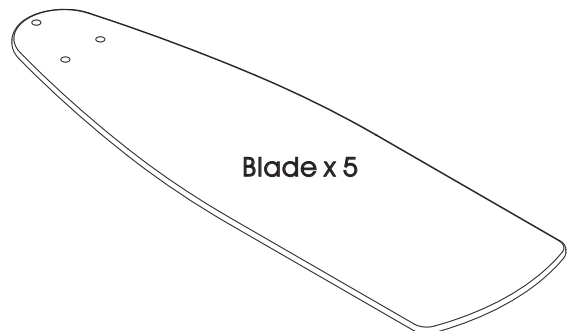
Up-Light
E-12, 15W
x 4pcs.



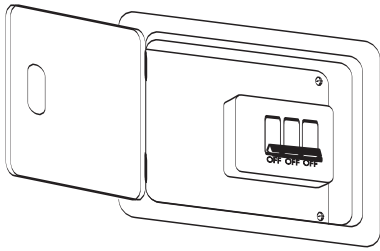
Down-Light
JD-E11, 100W
x 1pc.



Blade Holder x 5

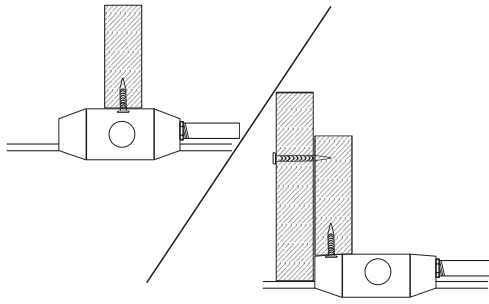


Blade x 5



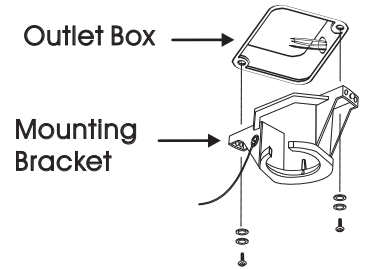
2.

Turn off power at breaker box to avoid possible electrical shock.



3.

Use metal outlet box suitable for fan support. Secure outlet box directly to the building structure using wood screws (included). Outlet box must support 40 lbs min.

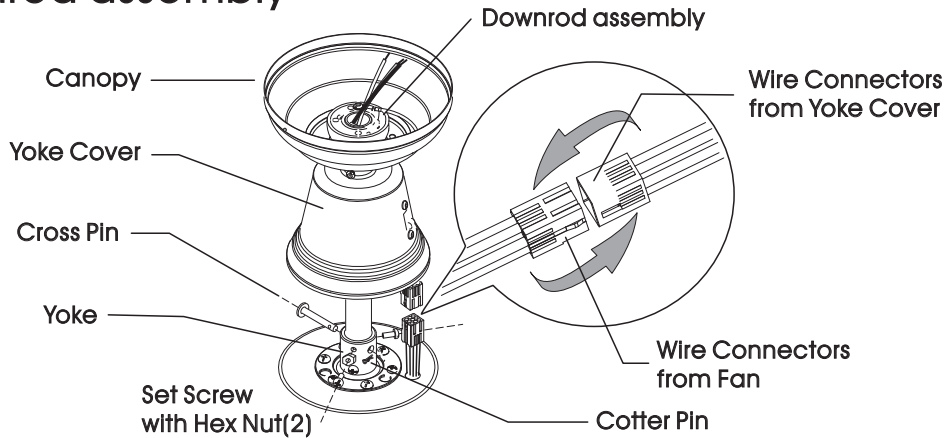


4.

Install mounting bracket to Outlet box in ceiling using washers and the mounting screws provided with the outlet box.

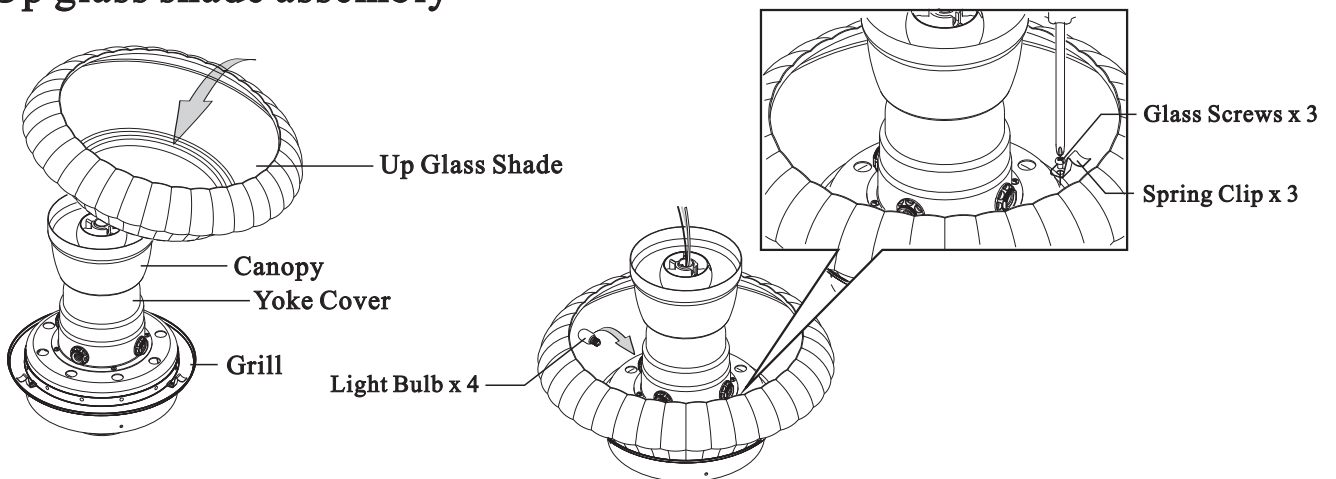
Do not use existing mounting bracket, replace it with new mounting bracket from box.

5. Yoke & downrod assembly



1. Insert downrod assembly through canopy & yoke cover as shown above.
2. Feed motor lead wires through downrod assembly.
3. Insert the downrod assembly into yoke.
4. Insert the cross pin through Yoke and downrod and secure with Cotter Pin.
5. Tighten both set screws to further secure downrod.
6. Tighten hex nuts existing on set screws toward yoke to prevent set screws from loosening.
7. Connect 9-pin connector, pull down the yoke cover & fasten jam screw on top of yoke cover.

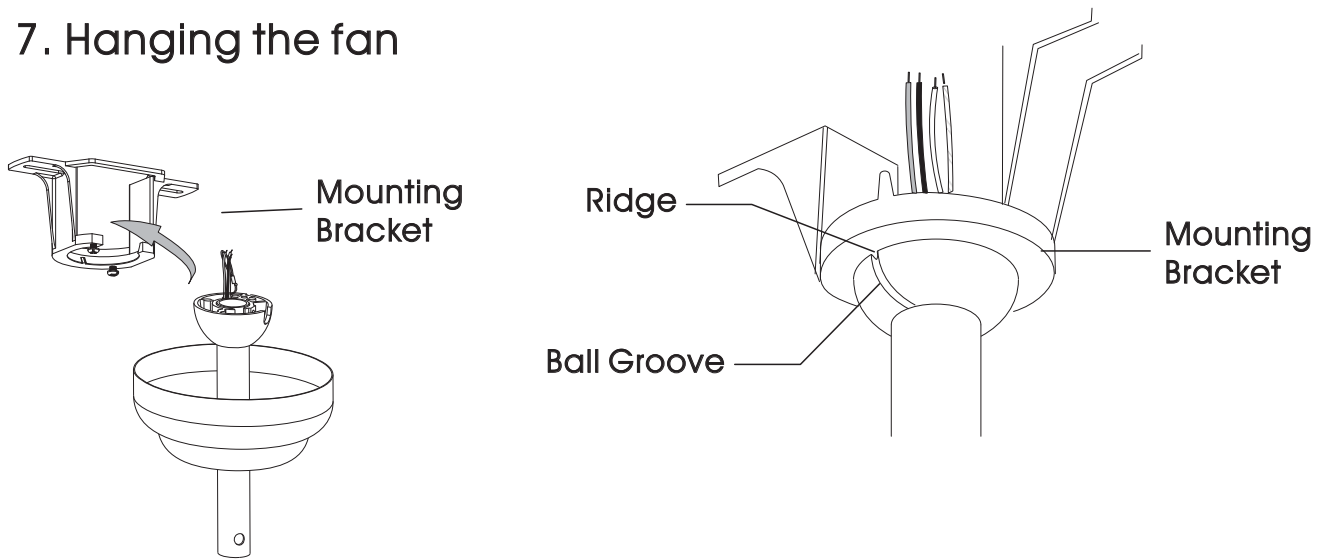
6. Up glass shade assembly



Place the up glass shade onto grill & secure the glass shade with three glass screws / spring clips on grill.

Gently install E-12 (4pcs.) Light bulbs on lampholder.

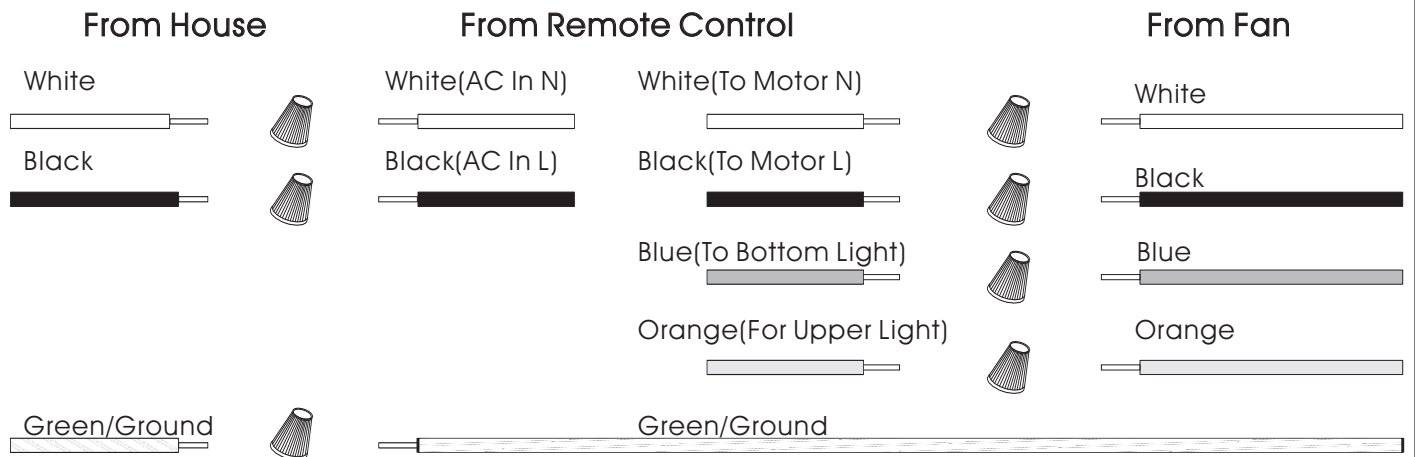
7. Hanging the fan



Lift fan assembly onto mounting bracket.

Carefully lift fan assembly onto mounting bracket. Rotate fan so that the groove on the ball engages the ridge in the mounting bracket.

8. Make wire connection

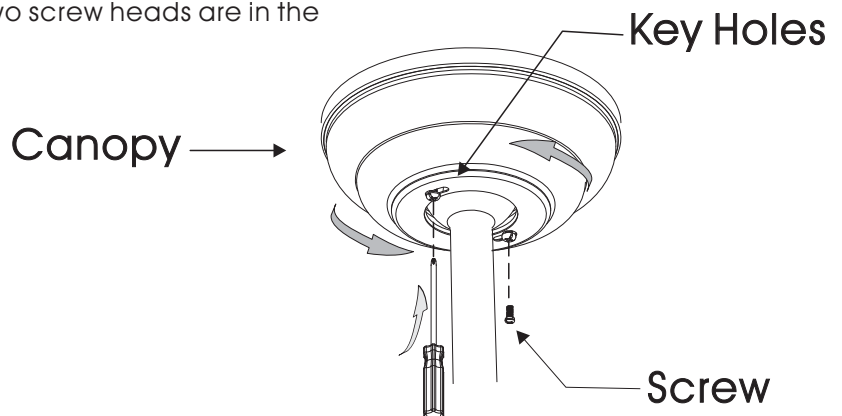


Make sure that all exposed wires are secured inside wire nuts.
Gently push wires into Mounting bracket with nuts pointing upward.

This fan is suitable for use with solid-state speed control.

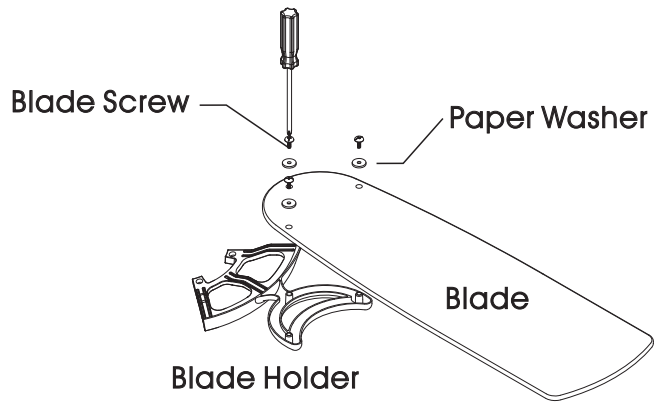
9. Install the canopy

1. Push up the Canopy until the two screws on mounting bracket are engaged with Key Holes in canopy.
2. Rotate the canopy slightly until the two screw heads are in the small end of the Key Holes.
3. Tighten both screws.

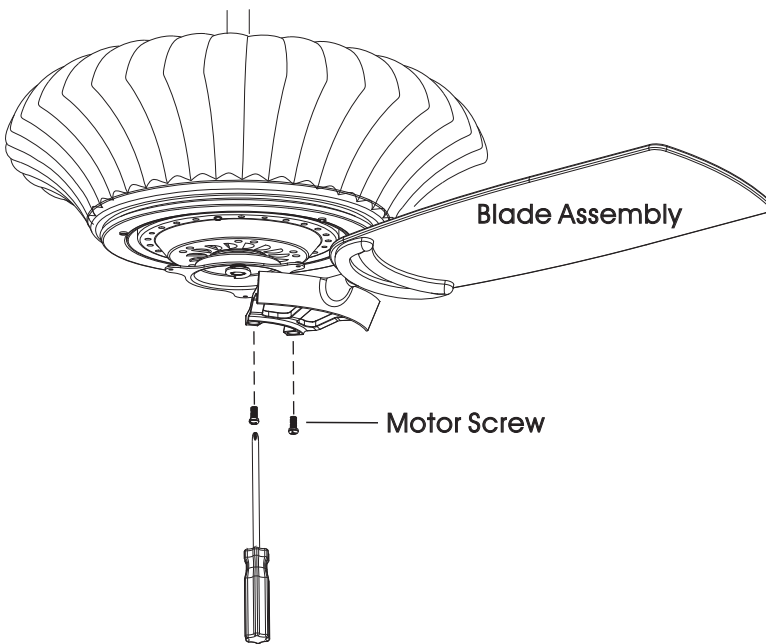


10. Blade installation

Attach blade to blade holder with screws provided.
Make sure that all screws are firmly tightened.



11. Blade assembly to motor

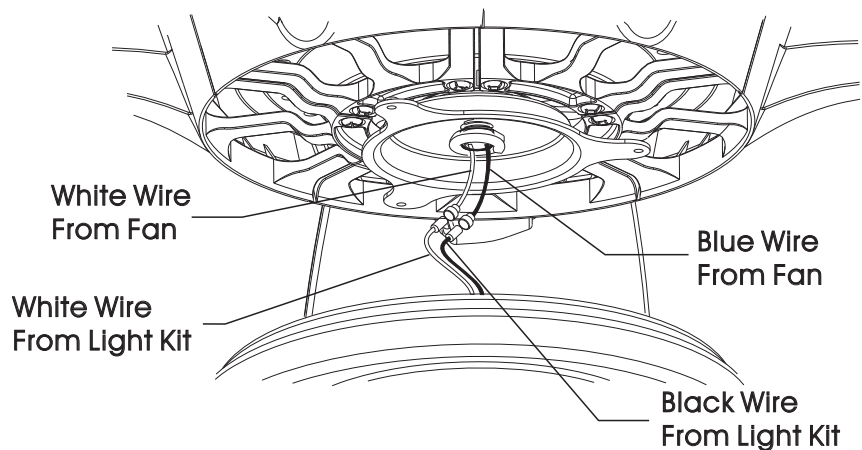


Attach the blade assembly to motor using motor screws provided.

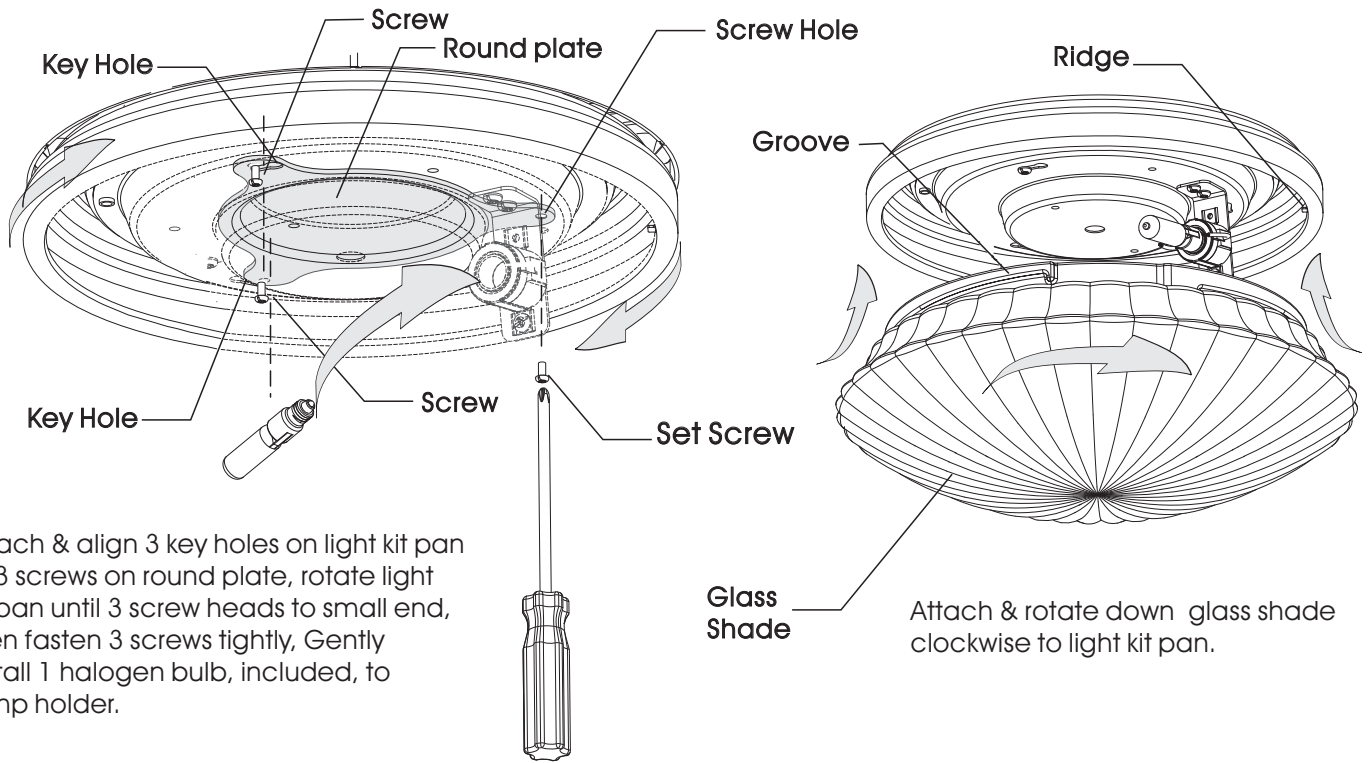
Note : Do not bend Blade holder to prevent wobble.

12. Make wire connection for light kit

Connect pins of white wire from fan to white wire from light kit & blue wire from fan to black wire from light kit.

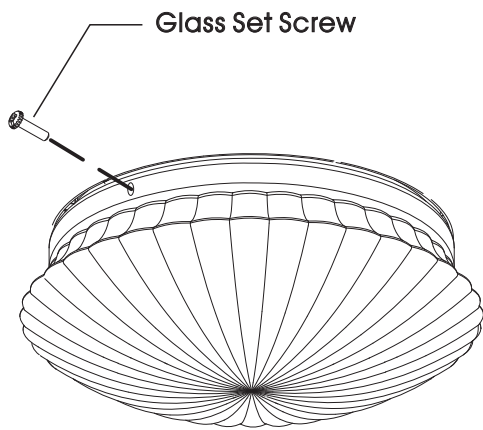


13. Install light bulbs & glass



Attach & align 3 key holes on light kit pan to 3 screws on round plate, rotate light kit pan until 3 screw heads to small end, then fasten 3 screws tightly, Gently install 1 halogen bulb, included, to lamp holder.

Attach & rotate down glass shade clockwise to light kit pan.



Gently fasten glass set screw on side of light kit pan to prevent loosening.

Turn on the power, your fan is ready for operation