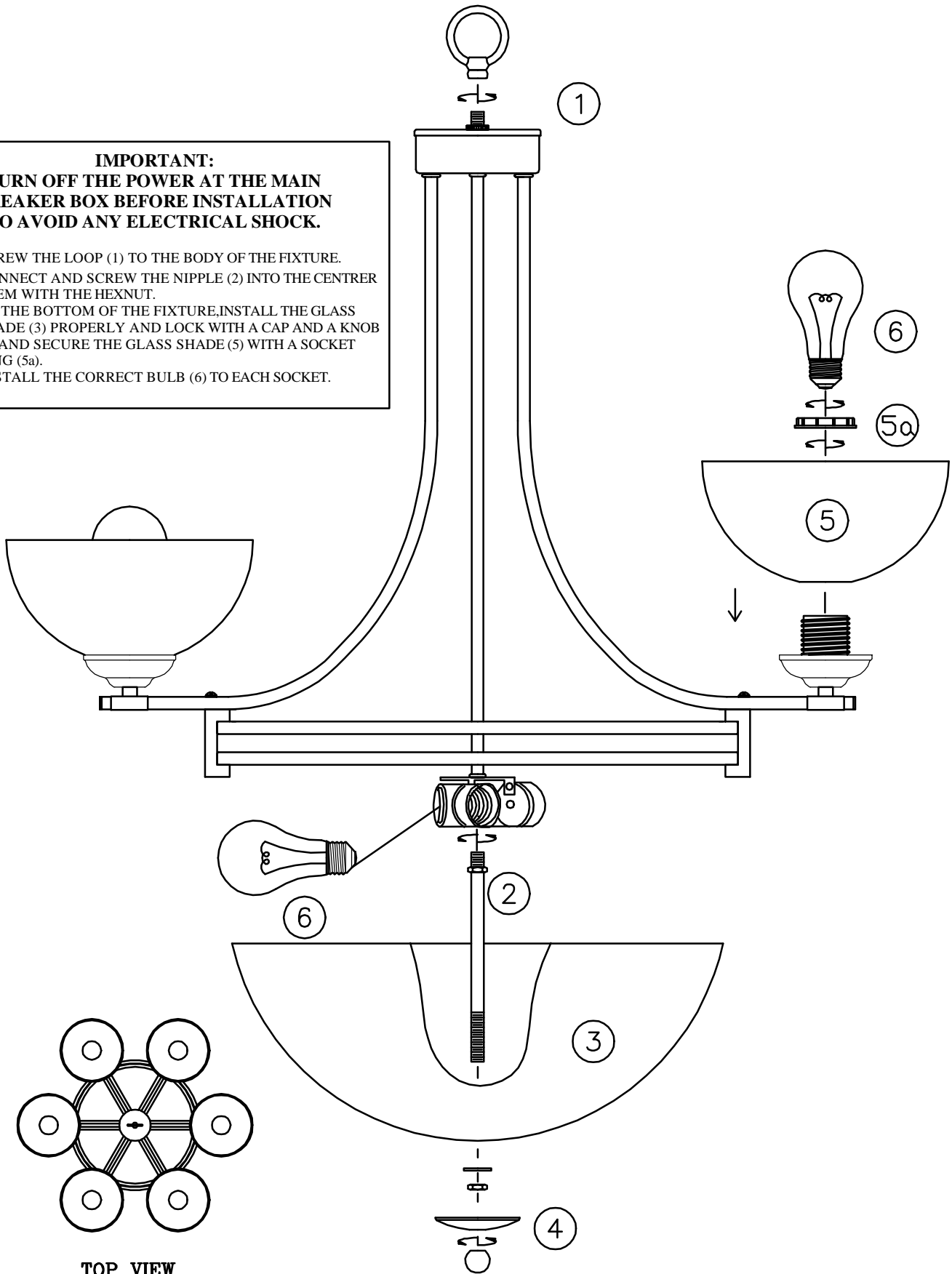


INSTALLATION INSTRUCTION FOR 98339-6+3 CHANDELIER

IMPORTANT:
**TURN OFF THE POWER AT THE MAIN
BREAKER BOX BEFORE INSTALLATION
TO AVOID ANY ELECTRICAL SHOCK.**

1. SCREW THE LOOP (1) TO THE BODY OF THE FIXTURE.
2. CONNECT AND SCREW THE NIPPLE (2) INTO THE CENTRE
STEM WITH THE HEXNUT.
3. AT THE BOTTOM OF THE FIXTURE, INSTALL THE GLASS
SHADE (3) PROPERLY AND LOCK WITH A CAP AND A KNOB
(4) AND SECURE THE GLASS SHADE (5) WITH A SOCKET
RING (5a).
4. INSTALL THE CORRECT BULB (6) TO EACH SOCKET.



TOP VIEW