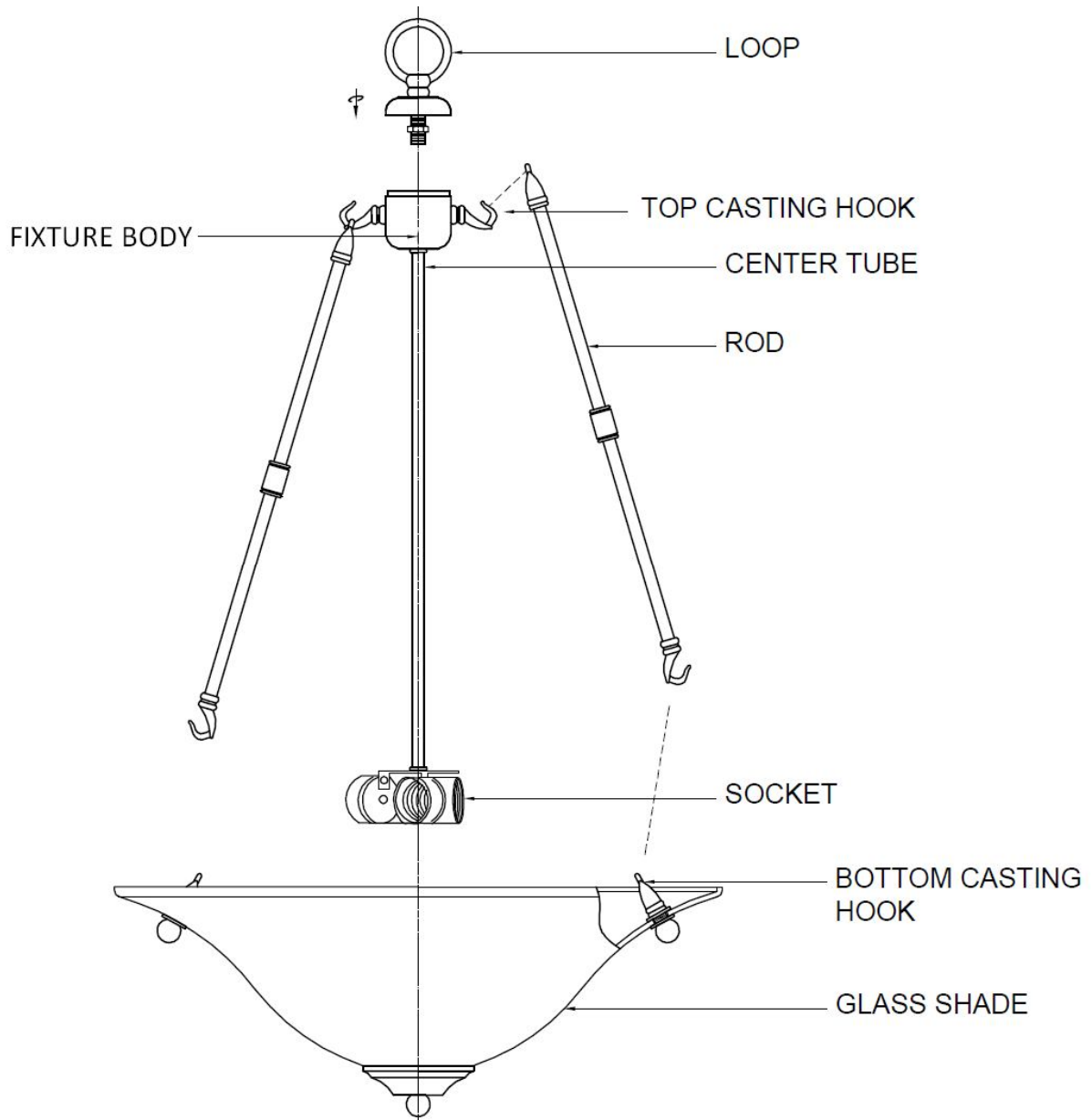


ASSEMBLY INSTRUCTION

ITEM#92251R-3



INSTALLATION PROCEDURE:

1. Screw Loop over top part of fixture body and secure together in place
2. Separately hang one end of rod into top casting hook, and then finally hang another end of rod into bottom casting hook.