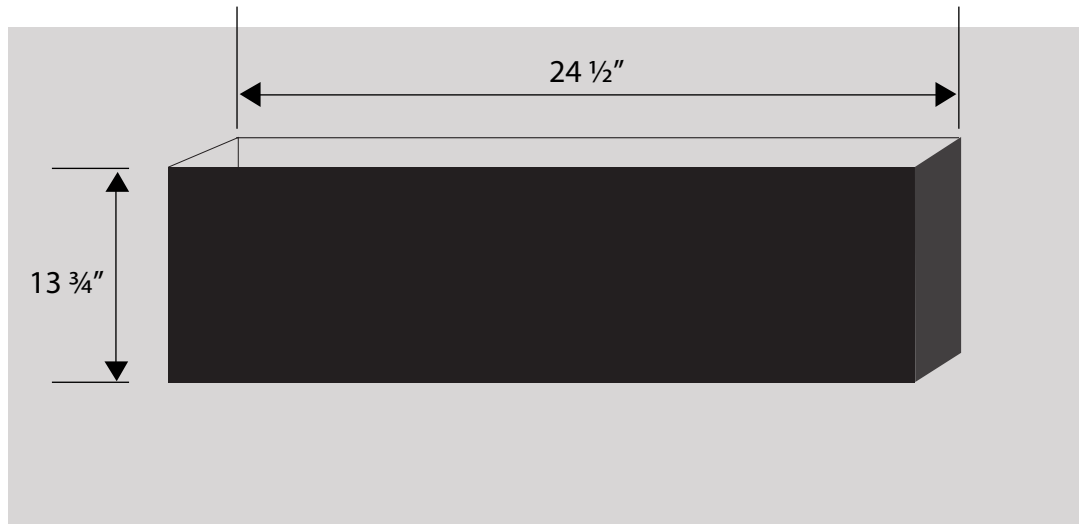
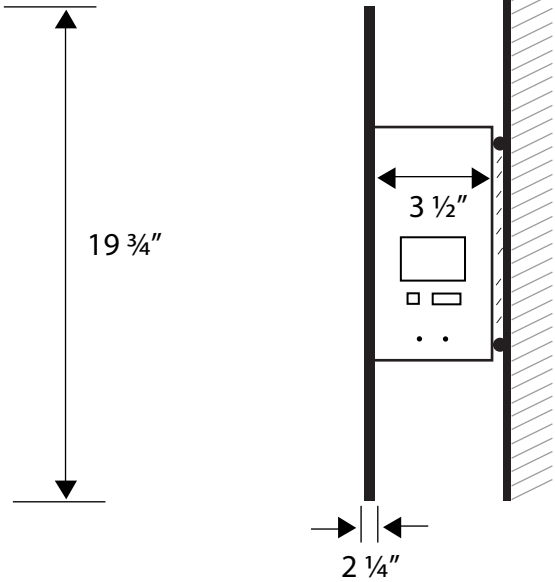
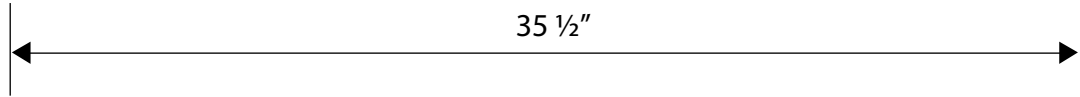
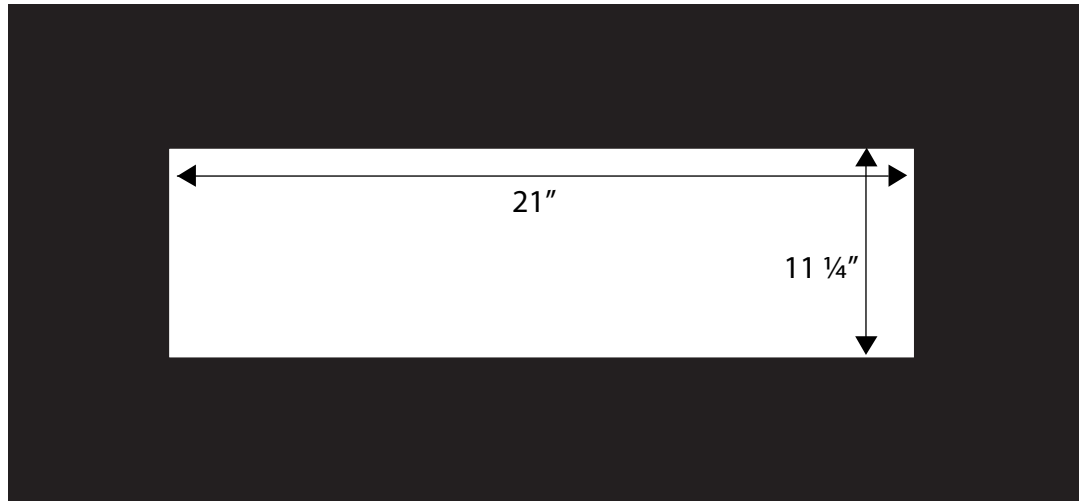



TECHNICAL SPECIFICATIONS



MODEL NUMBER	DF-EFP900	
VOLTS	120	
AMPS	13	
RATED POWER WATTS	1,585	
HEATER	HIGH	1,500 watts
	LOW	750 watts
NO HEATER	85 watts	
LAMPS	QUANTITY	2 Candelabra Incandescent
	WATTS	40 watts
	TOTAL WATTS	80 watts
ROTOR MOTOR	1 at 5 watts	
HEAT ENERGY	5000 BTU	
DIMENSION	35 1/2" W x 19 3/4" H x 5 3/4" D	
VIEWING OPENING	21" W x 11 1/4" H	
SHIPPING SIZE	39 3/4" x 23 1/2" x 10"	
WEIGHT	GROSS	33 lbs.
	NET	31 lbs.
PLUG LOCATION	Upper right side	
CONTROL BUTTONS LOCATION	Upper right side	
CORD LENGTH	67"	
APPROX. HEATING AREA	220 sq. ft.	



YOSEMITE

HOME DÉCOR

SERIES WALL HANG	MODEL NAME CARBON FLAME 35
---------------------	-------------------------------