



YOSEMITE
HOME DÉCOR

Electric Fireplace

Instruction Manual

Electric Fireplace Packing List

1	Electric Fireplace
1	Remote Control
2	AAA battery
1	Fastener Package
1	Instruction Manual

Yosemite Home Décor

1-800-305-9872

www.YosemiteHomeDecor.com



Quick Reference Guide

- I. Prior to installation, please ensure:
 1. The rated voltage of your firebox fits the output voltage of your outlet;
 2. The light bulbs in your firebox are in good condition. To check this, please follow the instructions for replacing the light bulbs on section MAINTENANCE.
- II. The heater on your electric fireplace may emit a slight, harmless odor when first used. This odor is a normal condition caused by the initial heating of internal heater parts and will not occur again.
- III. If your heater does not emit heat, please ensure the Heater Switch is on. For further information, please consult section Operation of the Practical User's Guide.

NOTE

Procedures and techniques that are considered important enough to emphasize.

CAUTION

Procedures, which if not carefully followed, will result in damage to the equipment.

WARNING

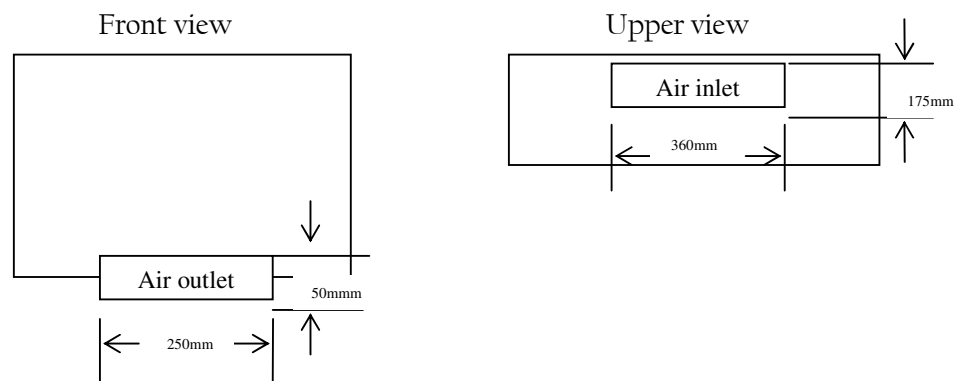
Procedures, which if not carefully followed, will expose the user to the risk of serious injury, illness or death.

IMPORTANT INSTRUCTIONS

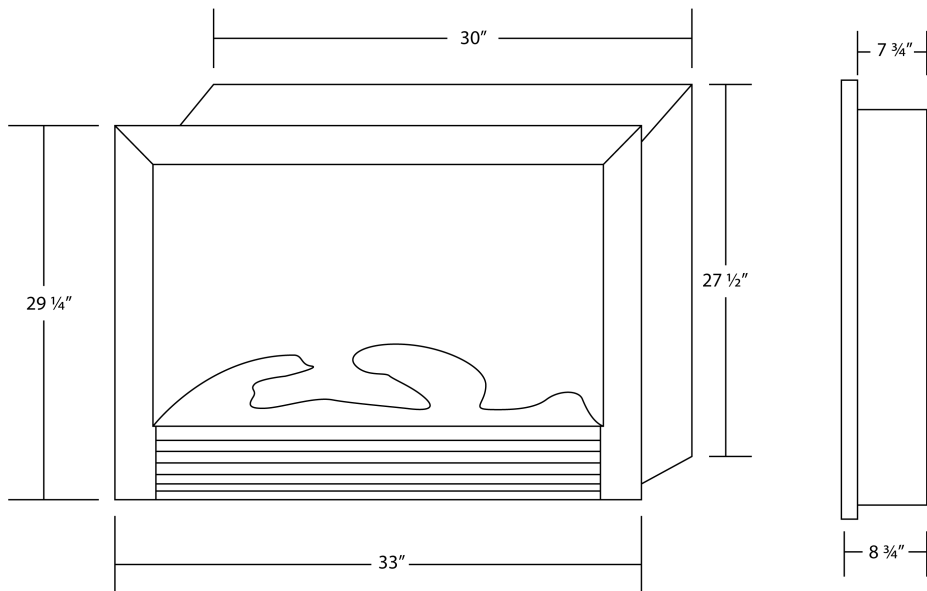
WARNING

You should read and always follow the important instructions below to reduce the risk of fire, electric shock, and injury to persons.

1. Read all instructions before using this heater.
2. This heater is hot when in use. To avoid burns, do not let bare skin touch hot surfaces, such as surfaces near the heater outlet or light bulbs. The grill directly in front of the heater outlet becomes hot during heater operation. If provided, use handles when moving this heater. Keep combustible materials, such as clothes, pillows, furniture, bedding, papers and curtains at least 3 feet from the front of this appliance.
3. **CAUTION:** Whenever the heater is left operating and unattended, extreme caution is necessary if children or invalids are nearby.
4. Do not install the heater directly on carpet or a similar surface, which may restrict air circulation beneath the unit.
5. Always unplug heater when not in use.
6. To disconnect heater, turn controls to off then remove plug from outlet.
7. Do not use outdoors.
8. This heater is not intended for use in wet locations, such as bathrooms, laundry areas and similar indoor locations. Never locate heater where it may fall into a bathtub or other water container.
9. Do not operate any heater with a damaged cord or plug, or if the heater has malfunctioned, or if the heater has been dropped or damaged in any manner. Discard heater, or Return heater to authorized service for examination, adjustment or repair.
10. Do not run cord under carpeting. Do not cover cord with throw rugs and runners. Arrange cord away from traffic areas and where it will not be tripped over. Do not route cord under furniture or appliances
11. Do not insert or allow foreign objects to enter any ventilation or exhaust opening as this may cause an electric shock, fire, or may damage the heater.
12. To prevent a possible fire, do not block heater outlet or any ventilation or exhaust in any manner. Do not use on soft surfaces, like a bed, where openings may become blocked.



13. All electrical heaters have hot and arcing or sparking parts inside. Do not use it in areas where gasoline, paint, or flammable liquids are used or stored or where the unit will be exposed to flammable vapours.
14. Do not modify this heater. Use it only as described in this manual. Any other use not recommended by the manufacturer may cause fire, electric shock or injury to persons.
15. Always plug heaters directly into a wall outlet/receptacle. Never use with an extension cord or relocatable power tap (outlet/power strip).
16. Do not burn wood or other materials in this heater.
17. Do not strike heater glass.
18. Always use a certified electrician should new circuits or outlets be required.
19. Always use properly grounded, fused and polarized outlets.
20. Always use ground fault protection where required by electrical code.
21. Always disconnect power before performing any cleaning, maintenance or relocation of the heater.
22. When transporting or storing the heater and cord, keep in a dry place and free from excessive vibration.
23. The heater must not be located immediately below a socket-outlet.
24. This appliance is not intended for use by persons (including children) with reduced physical, sensory or mental capabilities, or lack of experience and knowledge, unless they have been given supervision or instruction concerning use of the appliance by a person responsible for their safety.
25. Children should be supervised to ensure that they do not play with the appliance.
26. Heater is for household use only.



TECHNICAL SPECIFICATIONS

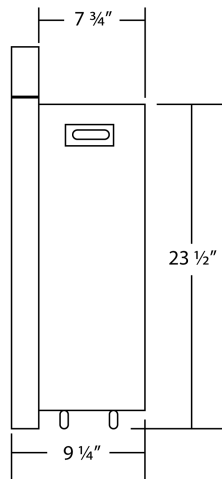
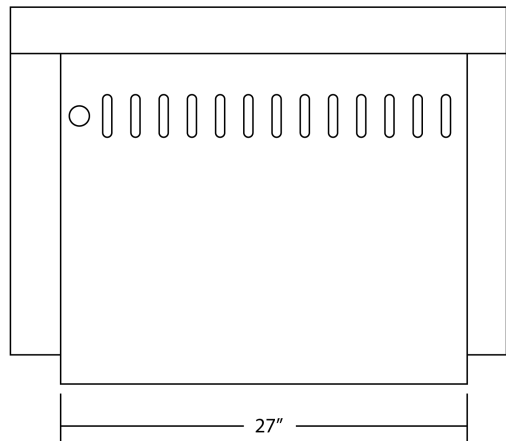
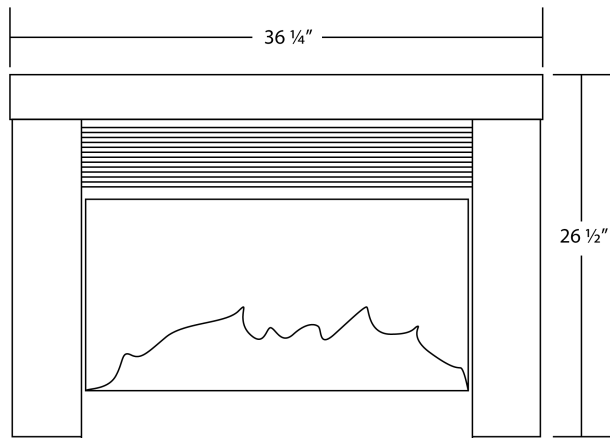
MODEL NUMBER	DF-EFP765	
MODEL NAME	TRITON	
VOLTS	120	
AMPS	12.50	
HEATER	HIGH	1,500 watts
	LOW	750 watts
NO HEATER	0.73 watts	
LAMPS	QUANTITY	3 Candelabra Incandescent
	WATTS	40 watts
	TOTAL WATTS	120 watts
BTU	5000	
DIMENSION	33"W x 29 1/2" H x 8 3/4"D	
SHIPPING SIZE	35 1/2"L x 13 1/4"W x 32 3/4"H	
WEIGHT	GROSS	58 3/4 lbs.
	NET	54 1/4 lbs.
PLUG LOCATION	BOTTOM RIGHT	
CORD LENGTH	67"	
APPROX. HEATING AREA	220 sq. ft.	



YOSEMITE
HOME DÉCOR

SERIES
INSERTS

MODEL
DF-EFP765



TECHNICAL SPECIFICATIONS

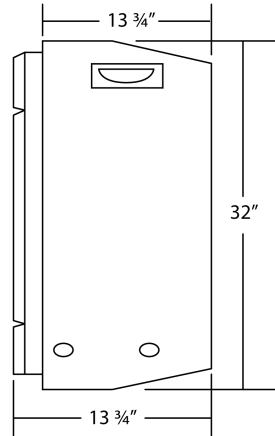
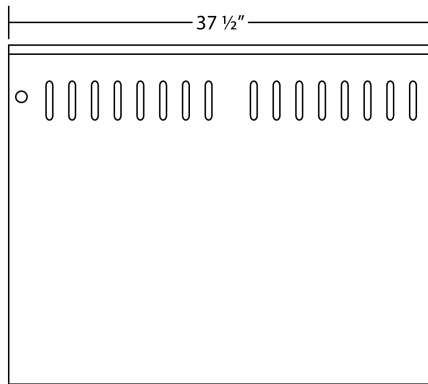
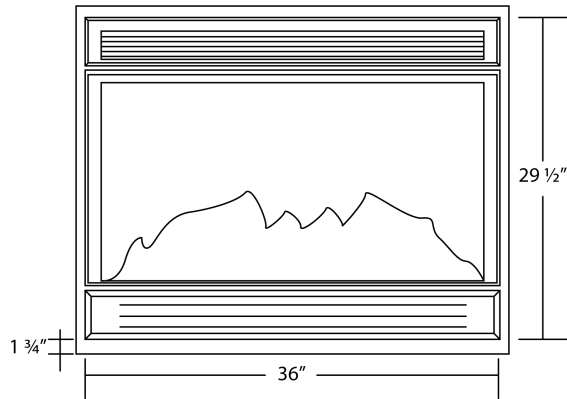
MODEL NUMBER	DF-EFP920	
MODEL NAME	PANDORA	
VOLTS	120	
AMPS	12.50	
HEATER	HIGH	1,500 watts
	LOW	750 watts
NO HEATER	0.73 watts	
LAMPS	QUANTITY	2 Candelabra Incandescent
	WATTS	40 watts
	TOTAL WATTS	80 watts
BTU	5000	
DIMENSION	36 1/4"W x 26 1/2" H x 9 1/4"D	
SHIPPING SIZE	31 1/2"L x 27 1/4"W x 14 1/4" H	
	37" L x 6"W x 4 1/2" H	
WEIGHT	GROSS	50 3/4 lbs.
	NET	46 1/4 lbs.
PLUG LOCATION	TOP RIGHT	
CORD LENGHT	67"	
APPROX. HEATING AREA	220 sq. ft.	



YOSEMITE
HOME DÉCOR

SERIES
INSERTS

MODEL
DF-EFP920



TECHNICAL SPECIFICATIONS

MODEL NUMBER	DF-EFP955B	
MODEL NAME	JUNO	
VOLTS	120	
AMPS	12.50	
HEATER	HIGH	1,500 watts
	LOW	750 watts
NO HEATER	1.00 watts	
LAMPS	QUANTITY	3 Candelabra Incandescent
	WATTS	40 watts
	TOTAL WATTS	120 watts
BTU	5000	
DIMENSION	37 1/2"W x 32" H x 13 3/4"D	
SHIPPING SIZE	38 1/4"L x 17" W x 34 1/2" H	
WEIGHT	GROSS	101 1/2 lbs.
	NET	94 3/4 lbs.
PLUG LOCATION	TOP RIGHT	
CORD LENGHT	67"	
APPROX. HEATING AREA	220 sq. ft.	



YOSEMITE
HOME DÉCOR

SERIES

INSERTS

MODEL

DF-EFP955B

INSTALLATION

This section provides step-by-step instructions for installation of your fireplace insert.

Site Selection

Review and consider all of the following conditions for installation:

- Dimensions of the unit
- Unit requires a minimum of two (2) wall studs in order to ensure a secure installation.

The fireplace insert comes completely assembled and wired. Some tools may be required to prepare the site and assembly/install the trim. It can be installed to:

- Existing Fireplace
- Custom Mantel Surround
- Wall Construction

WARNING

The outlet must be 15A/120V. If there is no 15A/120V outlet near the desired location, install a new one.

CAUTION

Do not remove the four rubber feet at the bottom of the heater or install the heater directly on soft surfaces, which may restrict air circulation. Otherwise, it may cause a risk of fire or damage.

NOTE

It is a good idea to place your fireplace insert near an existing outlet, for ease of electrical hook up.

WARNING

Do not attempt to wire your own new outlets or circuits. To reduce the risk of fire, electric shock or injury to persons, always use a licensed electrician.

Existing Fireplace Installation

1. Seal all drafts and vents with non-fibrous insulation materials to prevent chimney debris from falling into the fireplace insert.

CAUTION

Do not install into an existing fireplace that is prone to leaks or dampness.

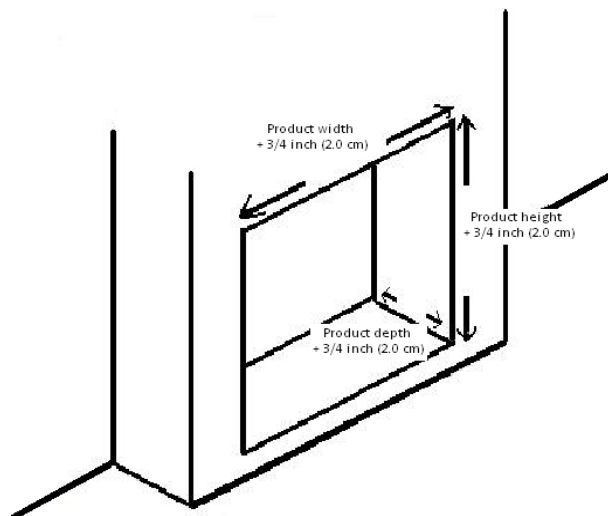
2. Cap the top of the chimney flue to prevent rain from entering.
3. Plug the fireplace into a 15A/120V outlet.
4. The power cord can run along the front of the hearth to an outlet near the fireplace.

WARNING

To prevent personal injury you should hire a professional to cap the chimney flue or cut a hole in the existing fireplace for wiring. If you wish to return your existing fireplace to its original use (e.g. wood burning) it should be inspected by the local building department prior to use.

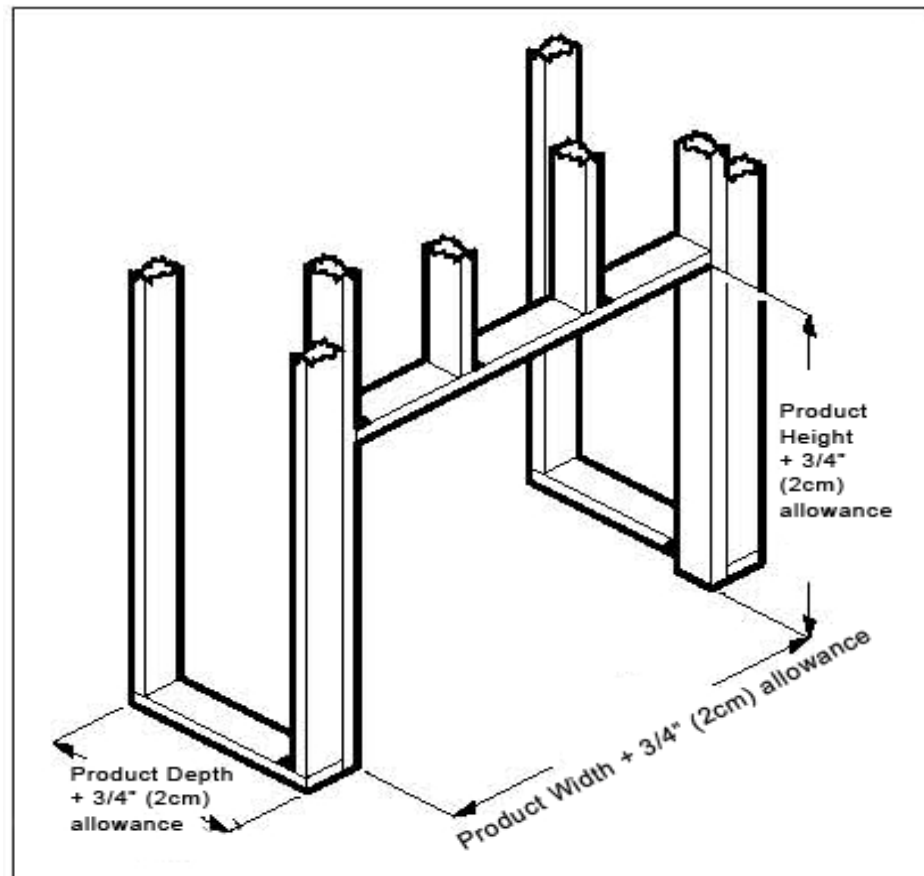
Custom Made Mantel Surround

1. Place the fireplace mantel in the desired location to see how it will look in the room.
2. Leave a clearance allowance around the insert of $\frac{3}{4}$ " (2.0cm) to ease installation.
3. Push the fireplace insert into place so that the panel and the finished mantel surround are in the same plane.



Wall Construction Installation

1. Select a suitable location that is not susceptible to moisture or dust. Keep away from high traffic areas. Also, keep away from things that may catch fire such as drapes and furniture etc.
2. Use studs to frame an opening, make sure to create an allowance of $\frac{3}{4}$ inches (2.0 cm) based on the inserts' dimension to ensure that the fireplace could be inserted without any problems.
3. Plug the fireplace into a 15A/120V outlet.



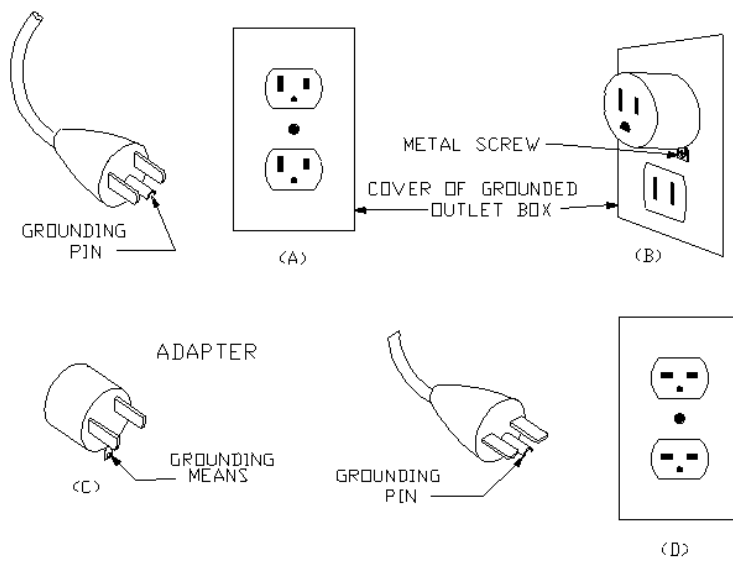
CAUTION

Store your fireplace insert in a dry, safe and dustless place when placing the mantel or building the wall construction.

GROUNDING INSTRUCTIONS

This heater is for use on 120 volts. The cord has a plug as shown at A in Figure. An adapter as shown at C is available for connecting three-blade grounding-type plugs to two-slot receptacles. The green grounding lug extending from the adapter must be connected to a permanent ground such as a properly grounded outlet box. The adapter should not be used if a three-slot grounded receptacle is available.

Figure



AA210

OPERATION

This section will explain the function of each convenient control.

NOTE

The heater may emit a slight, harmless odor when first used. This odor is a normal condition caused by initial heating of internal heater parts and will not occur again.

• Control Panel Operation

A. Buttons and indicators

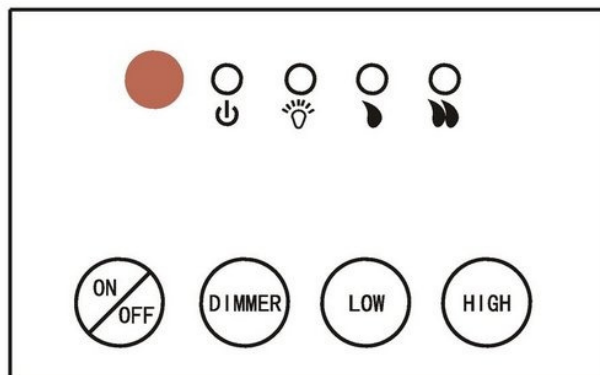
There are four buttons on the remote controller, and four on the control panel of the fireplace insert, each pair of buttons with the same label perform the same function, the back of it is manual switch near the power cord:

- ⟨ON/OFF⟩ button is power switch of the heater;
- ⟨DIMMER⟩ button is used to adjust the brightness of simulated flame and logs;
- ⟨LOW⟩ button turns the fireplace insert on and switches it to low-power status. If the fireplace insert is already working at low-power status, to push this button will turn the fireplace off.
- ⟨HIGH⟩ button turns the fireplace insert on and switches it to high-power status. If the fireplace is already working at high-power status, to push this button will turn the fireplace off;

There are four indicators on the control panel:

- ⏻ is the power indicator, it lights up when the heater is working, and turned out when the heater is turned off;
- 💡 indicates the status of the simulated flame and logs.
- 🔥 indicates the heater is working in low-power status;
- 🔥 indicates the heater is working in high-power status.

The red window on the control panel of heater is the eye of receiver, do not cover.







B. Operation

On the first use of remote controller, install the batteries first: open the battery box by sliding its cover along the arrow, install two AAA batteries according to the marks in the box, and slide the cover to its original position. If no batteries installed or the batteries are not working, the remote controller will be unusable.

To use the remote controller effectively, point it to the electric fireplace and keep a distance of 1-5 meters.

There are four buttons marked the same as buttons on the remote controller, each pair of them perform the same function, choose as you favor.

1. **On/Off Switch.** Press on/off switch to turn fire on. The indicator  lamp will brighten up in the control panel. Press the <ON/OFF> button again; the fireplace insert will be powered off.
2. **Flame Effect Dimmer.** Adjust the brightness of simulated flame and logs. When the fireplace insert is powered on, flame is turned on automatically. Press <DIMMER> button to adjust the brightness, the  lamp will be flashing. During the dimming cycle the fire will slowly dim then brighten allowing user to choose suitable level. Press a second time to stop cycle when the desired brightness level is obtained.
3. **Heater Low Heat (750 W).** Press <LOW> button once to switch the fireplace insert to low-power status. The indicator lamp  will brighten up. Press again the <LOW> button to turn it off.
4. **Heater High Heat (1500 W).** Press <HIGH> button once to switch the fireplace insert to high-power status. The indicator lamp  will brighten up. Press again the <HIGH> button will turn it off.

NOTE

Before the heater emits heat or after it stops producing heat, the hot air outlet may output air for 10 seconds. This is designed to protect the circuit.

6. Switch off the heater when you leave it for a long time.
7. Remove the two alkaline batteries from the appliance before it is scrapped.
8. The alkaline batteries need to be disposed of safely.
9. Roll up the power cord in the supports when the fireplace is not in use. If you select to store your heater fully assembled, be sure to cover it, to protect it from accumulating dust.
10. Temperature Limiting control will automatically turn the unit off if it reaches a certain temperature. Unplug the unit. When the temperature falls, the thermostat will be restored. Connect the plug to power and heater will work.

MAINTENANCE

WARNING

Disconnect power before attempting any maintenance or cleaning to reduce the risk of fire, electric shock to persons or damage.

Light Bulb Replacement

Light bulbs need to be replaced when you notice a dark section of the flame or when the clarity and detail of the log exterior disappears.

WARNING

Allow at least 5 minutes for light bulbs to cool off before touching bulbs to avoid burning of skin. Except the light bulb replacement, any other servicing should be performed by an authorized service representative.

I. Bulb Requirements

Quantity of 2 or 3 clear chandelier or candelabra bulbs with an E-12 small socket base, rating voltage 120 volts, rating power 40 watts.

CAUTION

Do not exceed 40 watts per bulb

II. Operation

1. Open the light bulb area:

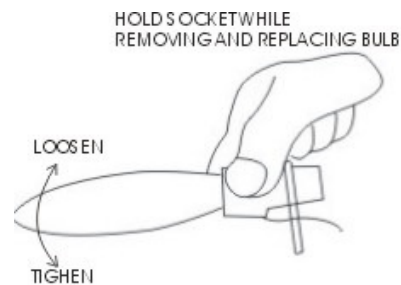
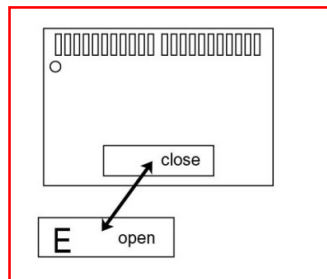
The light bulb area is on the back of electric fireplace, see “E”. There are 6 screws on it. Loosen the screw, and then you can open it. (Right figure)

2. Examine the bulbs to determine which bulbs require replacement.

3. Remove old bulb and replace a new one. Hold the socket while unscrewing or screwing bulbs. (Right figure)

4. Replace the cover of light bulbs.

5. Done.



Correct Disposal of this product



This marking indicates that this product should not be disposed with other household wastes throughout the EU. To prevent possible harm to the environment or human health from uncontrolled waste disposal, recycle it responsibly to promote the sustainable reuse of material resources. To return your used device, please use the return and collection systems or contact the retailer where the product was purchased. They can take this product for environmental safe recycling.