

Floor Base and Fixed Trapeze

Assembly, Installation and Operating Instructions

PROBASICSTM

by PMI

Item No. 0036BV and 1036BV

SAVE THESE INSTRUCTIONS

NOTE: Check ALL parts for shipping damage. In case of shipping damage, DO NOT use. Contact Dealer/Carrier for further instructions.

Safety Summary

To ensure the safe and proper installation of the Floor Base and Fixed Trapeze, these instructions **MUST** be followed:

⚠ WARNING

DO NOT install this equipment without first reading and understanding this instruction sheet. If you are unable to understand the warnings, cautions and instructions, contact a healthcare professional, dealer or technical personnel if applicable, before attempting to install this equipment - otherwise, injury or damage may occur.

The **Fixed Trapeze** **MUST ONLY** be installed onto beds with metal framed headboards.

ProBasics products are specifically designed and manufactured for use in conjunction with ProBasics accessories. Accessories designed by other manufacturers have not been tested by ProBasics and are not recommended for use with ProBasics products.

The **Fixed Trapeze** used in conjunction with a bed, can assist an individual weighing up to **250 lbs. (114 kg.)**. The **Fixed Trapeze** is designed to provide support, increase stability and assist the user when repositioning himself/herself in bed.

Use the trapeze as an assistive device only. The trapeze is not designed to support the total body weight of an individual or to be used as an assist device when transferring into or out of a bed.

⚠ INSTALLATION WARNINGS

After **ANY** adjustments, repair or service and **BEFORE** use, make sure that all attaching component parts are secure.

DO NOT INSTALL OR ADJUST TRAPEZE OF AN OCCUPIED BED.

DO NOT attach swivel trapezes to the floor base. This may cause the floor base to tip over, causing injury to the patient and/or assistants.

Floor **Base** **MUST** be positioned under the bed at the headboard position.

Ensure that the snap buttons fully protrude through the adjustment hole of the floor leg assembly. This ensures that the **Floor Base** is properly installed and securely locked in position.

⚠ ACCESSORIES WARNING

ProBasics products are specifically designed and manufactured for use in conjunction with ProBasics accessories. Accessories designed by other manufacturers have not been tested by ProBasics and are not recommended for use with ProBasics products.

For more information regarding ProBasics products, parts, and services, please visit www.pmiusa.biz

Assembling the Floor Base

NOTE: For this procedure, refer to FIGURE 1.

1. Install the "A" frame into the floor base assembly with the snap buttons facing the short length of the floor base.
2. Depress the snap button on one (1) leg of the "A" frame and slide it into the floor base assembly until an audible "click" is heard.
3. Repeat STEP 2 for the opposite side.

NOTE: Ensure that the snap buttons fully protrude through the adjustment hole of the floor leg assembly. This ensures that the Floor Base is properly installed and securely locked in position.

4. Attach trapeze to floor base/bed end.
Refer to [Attaching Trapeze to Floor Base/Bed End](#).

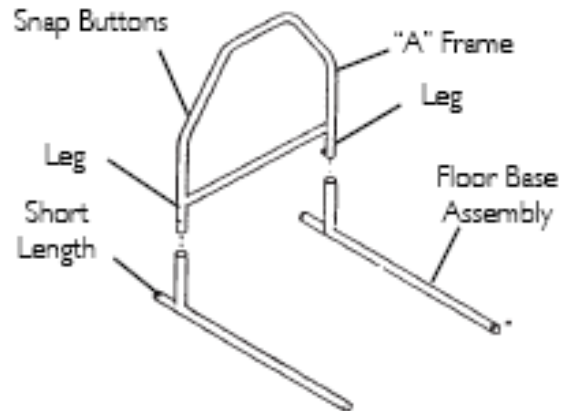


FIGURE 1 Assembling the Floor Base

Attaching Trapeze to Floor Base/Bed End

NOTE: For this procedure, refer to FIGURE 2.

1. Perform one (1) of the following:
 - Floor Base
 - i. Position the lower bed bracket in the center of the bottom rail with the tubular hook facing DOWN.
 - ii. Tighten wing nuts to secure lower bed bracket onto bottom rail.
 - Bed End
 - i. Position the lower bed bracket in the center of the bottom bed frame with the tubular hook facing UP.
 - ii. Tighten wing nuts to secure lower bed bracket onto bottom bed frame.

NOTE: Position the lower bed bracket in the center of the bottom bed frame. If interference from the bed drive shaft, the trapeze brackets MUST be positioned as close to the center of the bed as possible (FIGURE 2).

2. Place the trapeze on a flat surface for easier installation of the upper bed bracket.
3. Loosen wing nuts on the upper bed bracket and slide the bracket approximately $\frac{3}{4}$ of the way up on the offset bar.
4. Hand tighten the wing nuts just enough to hold the upper bed bracket in place on the offset bar.
5. Install trapeze assembly into the socket of the lower bed bracket

6. Position the tubular hook of the upper bed bracket so it rests on the top rail of floor base/bed end.
7. Securely tighten the wing nuts to secure the upper bed bracket to the top rail of the floor base/bed end.

NOTE: When using the floor base in conjunction with a bed, the long legs of the floor base should slide under the bed.

8. Adjust the height and/or position of the trapeze. Refer to Adjusting the Grab Bar on page 4.

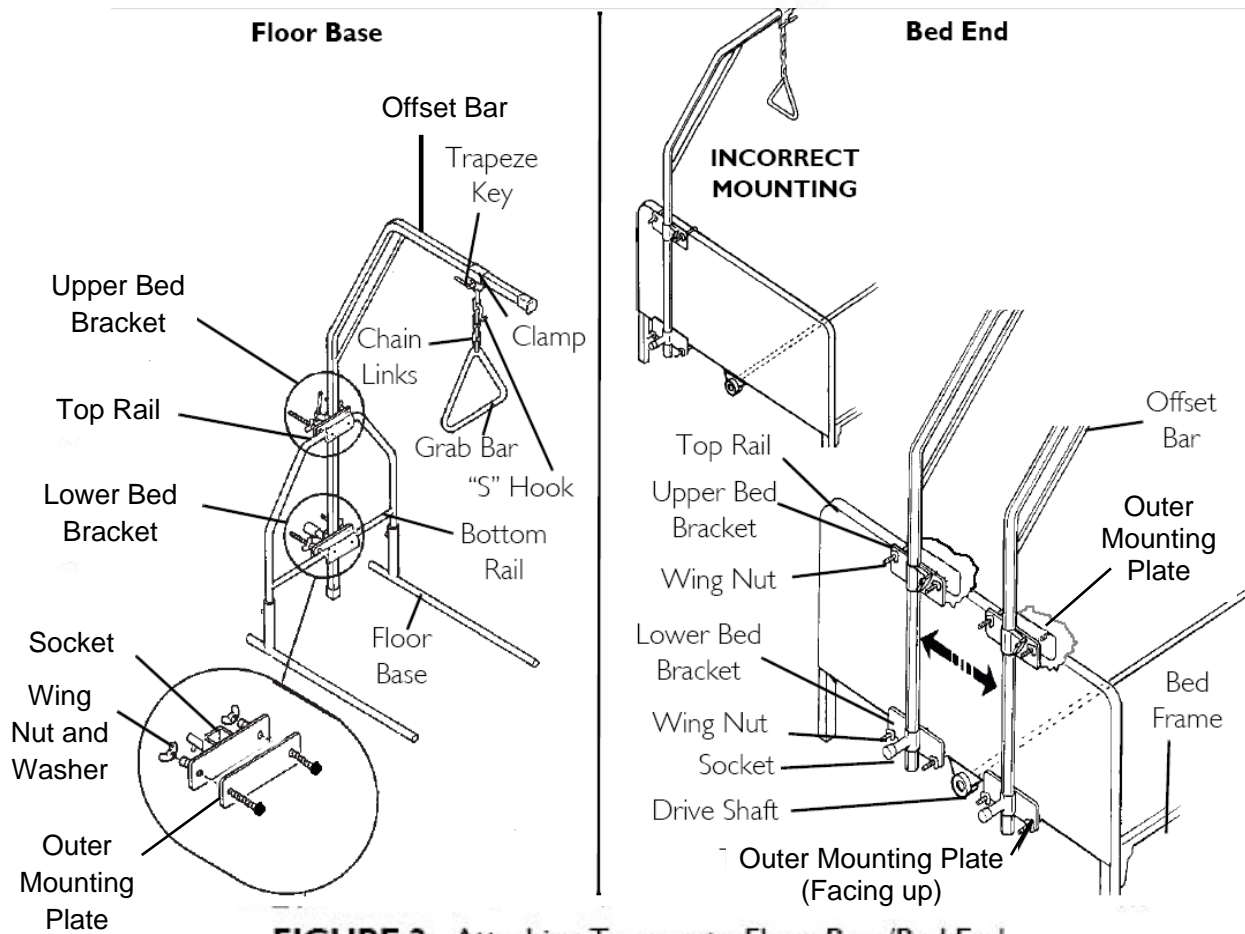


FIGURE 2 Attaching Trapeze to Floor Base/Bed End

Adjusting the Grab Bar

NOTE: For this procedure, refer to FIGURE 2.

Height

1. Position any of the lower chain links onto the "S" hook.

Position

1. Loosen trapeze key by turning counterclockwise.
2. Slide the clamp to desired position on the offset bar.
3. Secure the trapeze clamp to the offset bar by turning the key clockwise.

Storing the Floor Base

NOTE: For this procedure, refer to FIGURE 3.

1. Remove the trapeze from the floor base.
2. Depress one (1) snap button on floor leg assembly and lift UP on the "A" frame until the snap button clears the top of the floor leg assembly.
3. Rotate one (1) leg of the floor base assembly 270° clockwise away from the other leg.
4. Rotate the remaining leg of the floor base assembly 90° clockwise towards the other leg.

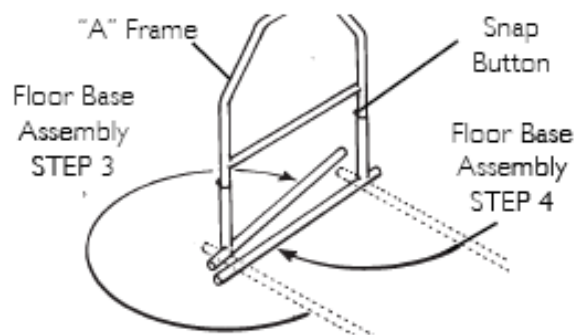


FIGURE 3 Storing the Floor Base