

# ASSEMBLY INSTRUCTION

Thank You for purchasing this Quality product. It has been engineered for easy assembly yet constructed for durability. Please take the time to read and follow the instruction while assembling.

BARSTOOL

SIZE : 18" W x 14" D x 24" H

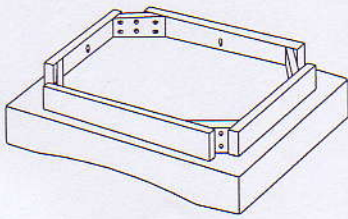
Model : 121-B0000024

: CS-0916-RTA

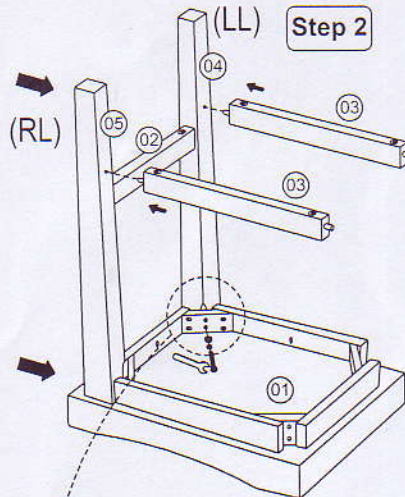
## Step 1

### \* REMARK

- DO NOT FORCE LEG ASSEMBLY FROM TOP - SLIDE IN FROM THE SIDE TO AVOID DAMAGE.



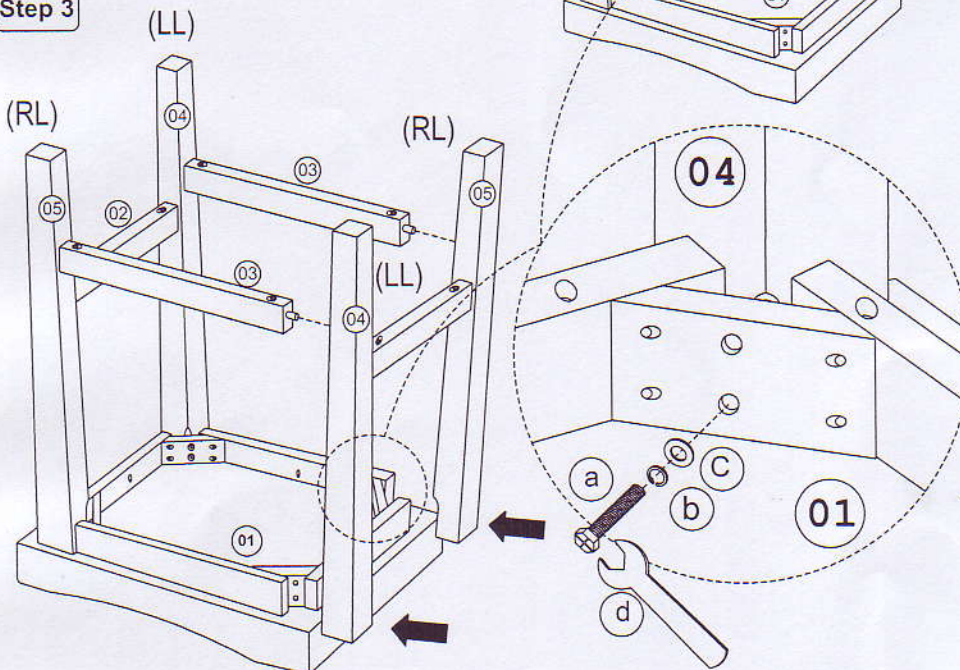
## Step 2



### List of Part For 1 Set

01		Cushion Seat	1
02		Side Stretcher	2
03		Front Stretcher	2
04		Right Leg (RL)	2
05		Left Leg (LL)	2

## Step 3



### List of hardware For 1 Set

a		Hex. Com. Bolt M6 x 60mm	8
b		Spring Washer	8
c		Flat Washer	8
d		Spanner 10mm	1
e		PHRS Screw # 8 x 1 3/4"	8

### ! Important Notes

- \* Keep all hardware parts out of reach of children.
- \* Must tighten screws periodically. With use screws will become loose. Check tightness of all screws every 6-8 weeks.
- \* Don't attempt to repair or modify parts that are broken or defective. Please contact the store immediately.

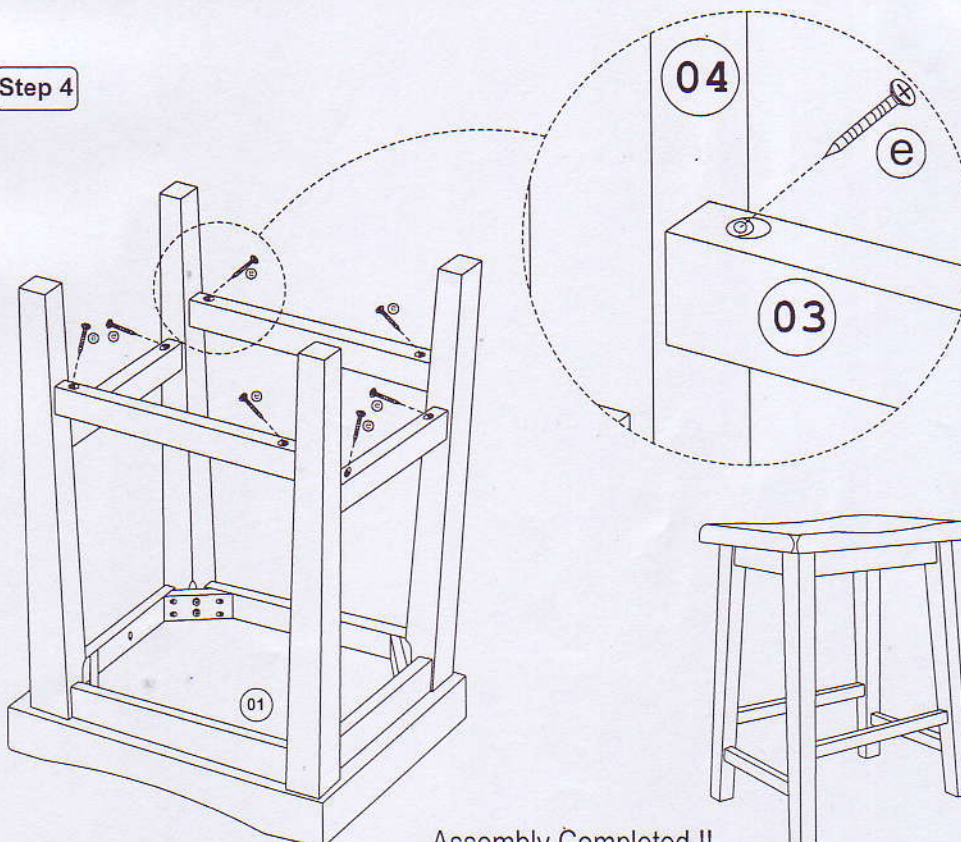
### Notes

- \* Place all wooden parts on a clean and smooth surface such as a rug or carpet to avoid the parts from being scratched.
- \* Check to be sure that you have all parts and hardware.
- \* Remove all wrapping materials including staples & packing straps before you start to assemble.
- \* Do not tighten all screws / bolts until all completely assembled.

### Care And Maintenance

- \* The Touch of a soft cloth is all the maintenance your wood pieces will ever need.
- \* Never use harsh chemicals or abrasive cleaner as they could mark or destroy finish.

## Step 4



Assembly Completed !!..

MADE IN MALAYSIA