

ASSEMBLING & INSTALLATION INSTRUCTIONS FOR PRODUCT# 4798

For Ceiling Mount Fixtures

WARNING! SHUT POWER OFF AT FUSE OR CIRCUIT BREAKER .

MOUNTING THE FIXTURE (Fig.1)

1. Shut off the power at the circuit breaker box. Remove old fixture and all hardware from Junction Box.
2. Carefully unpack your new fixture and lay out all the parts on a clear area. Take care not to lose any small parts necessary for installation.
3. Thread the two studs (A) into the pre-drilled holes in the Mounting plate spaced the same distance apart as the holes in the canopy (A).
4. Attach the Mounting plate to the Junction Box with the two Junction Box Screws as shown. The side of the Mounting plate marked "GND" must face out.
5. While holding the canopy (A) assembly towards the ceiling, connect the electrical wires as Shown in Fig.2, making sure that all wire nuts are secured. You may have to wrap the connections with electrical tape. If your outlet has a ground wire (green or bare copper), connect the fixture ground wire to it. Otherwise connect fixture's ground wire directly to the Mounting strap with the green screw provided. After wires are connected, tuck them carefully inside the Junction Box.
6. Attach the pipe screw(G) into the bottom hole of arm(H), raise the cover(I) to the bottom of arm(H), cover opening aligned arm, lock it securely with the ball nut(J).
7. Attach the glass(D) to the arm(H), attach the cover(F) to the center hole of the glass(D), lock them securely with the knurled nut(E).
8. Attach the canopy(A) to the glass assembly, aligning the arm's hole with screw hole of canopy, lock them securely with the knob screw(C).
9. Attach the lamp body to the junction box, aligning screws on mounting plate with mounting holes in canopy and lock it securely with the ball nut (B).
10. Install the light bulbs in accordance with the fixture's specifications. **NOTE: DO NOT EXCEED THE SPECIFIED WATTAGE.**

Your installation is now complete. Return power to the junction box and test the fixture.

Fig.1

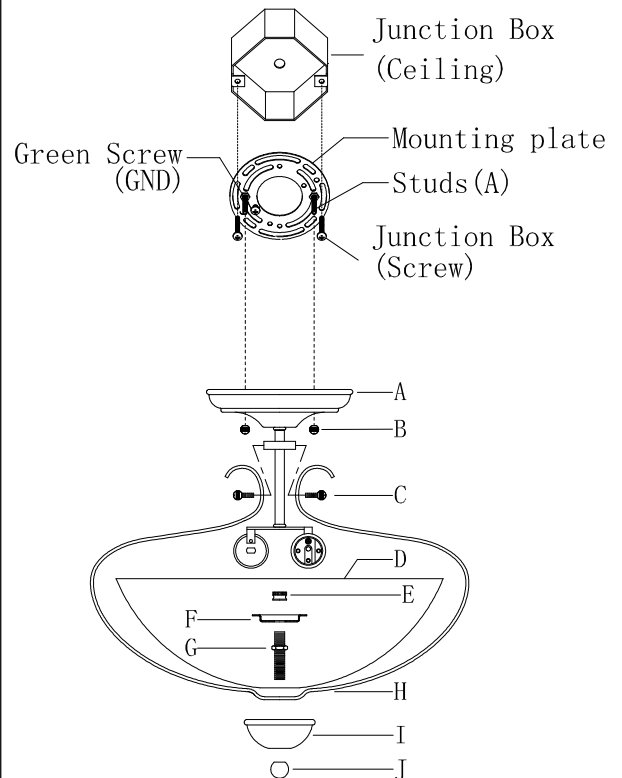
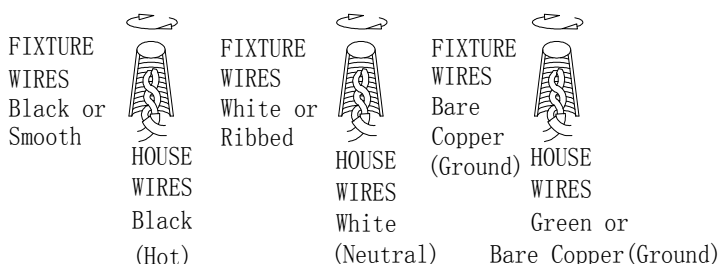


Fig.2



MIN 90°C SUPPLY CONDUCTORS