

# ASSEMBLING & INSTALLATION INSTRUCTIONS FOR PRODUCT#6437

**WARNING! SHUT POWER OFF AT FUSE OR CIRCUIT BREAKER .**

## ASSEMBLING THE FIXTURE (Fig.2).

1. **Return the arms to suitable position, see figure.2.** Slide the cover(L) and down flush to arms of the fixture body(F),tighten it with the finial(K) .
2. Put the socket sleeve (H) onto the lamp holder. Attach the cover(I) onto the sleeve.
3. Attach the lobation crystal(M) and crystal cluster(J) to the end small ring of the arms. Attach the crystal ball(N) to the bottom small ring of the finial. Attach the crystal ball(E) to the center small ring of the fixture body's frame. Attach the crystal ball(G) to the middle small ring of the finial.
4. Install the light bulbs in accordance with the fixture specifications  
NOTE: DO NOT EXCEED THE SPECIFIED WATTAGE!

## HANGING THE FIXTURE (Fig.1)

1. Shut off the power at the circuit breaker and remove old fixture from ceiling, including the old single bar.
2. Carefully unpack new fixture and lay all the parts on a clear surface.
3. Thread the two mounting screws about 1/4" into the pre-drilled holes in the mounting plate, spaced about the same distance apart as the holes in the fixture back plate. Attach the mounting plate to the junction box using two junction box screws. The side of the mounting plate marked "GND" must face out.
4. By measuring, determine correct number of links needed for proper hanging height. Using proper chain pliers disconnect and discard remaining chain, connect to the fixture loop. Close the link(B).
5. Lace the fixture wires through the chain.
6. Open the other end link of the chain and hang the fixture on the loop at the ceiling. Close the link(B).
7. Feed the fixture wires through the loop and pull until taut.
8. Slide canopy(A) up flush to ceiling, lock it securely with ball nut(C). Attach the crystal ball(D) to the bottom finial of the canopy(A).

## CONNECTING THE WIRES (Fig.3)

1. Take the black wire from the ceiling junction box and the smooth wire leg from the fixture and twist bare ends together. Twist wire connector onto end of wire until snug.
2. Repeat same process with white junction box wire and ribbed wire leg of fixture wire. NOTE: Twist wires together in the same direction you twist the wire connector onto wires.
3. If your junction box has a grounding wire (green or bare copper), attach this wire and the bare copper wire from the fixture together as step 1.If junction box has no ground wire, attach the bare copper fixture wire to the green ground screw on the single bar.
4. Tuck these wire connections neatly into the ceiling outlet box and then raise the canopy (A) all the way to the ceiling, lock it securely with ball nut(C).

**Your installation is now complete. Return power to the junction box and test the fixture.**

Fig.1

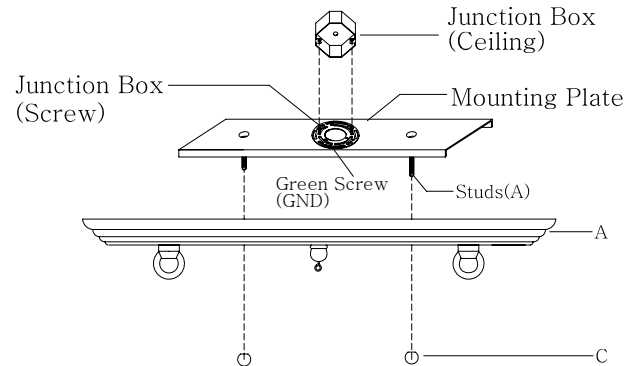


Fig.2

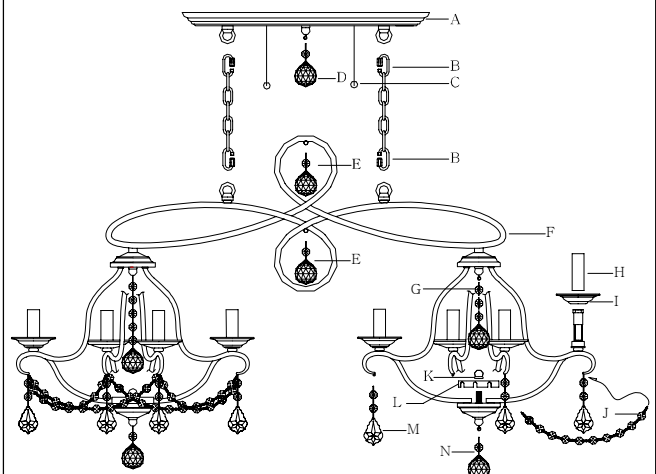


Fig.3

