

INSTALLATION INSTRUCTIONS 8860-64

For Flush Mount Ceiling Fixtures

WARNING! SHUT POWER OFF AT FUSE OR CIRCUIT BREAKER .

MOUNTING THE FIXTURE

1. Shut off the power at the fuse box or circuit breaker box. Remove the old fixture from ceiling, including the crossbar.
2. Carefully unpack your new fixture and lay out all the parts on a clear area. Take care not to lose any small parts necessary for installation.
3. Thread the two Mounting Screws (A) about 1/4" into the pre-drilled holes in the Crossbar (B) spaced about the same distance apart as the holes in the fixture body (D). Allow screws (A) to protrude slightly beyond the ceiling surface.
4. Attach the crossbar (B) to the outlet Box using the two screws (C) from the outlet Box. The side of the crossbar marked "GND" must face out.
5. Hold the fixture body (D) towards the crossbar and connect the electrical wires as follows (See Fig.2). Connect the black wire from the fixture to the black house (hot) wire; connect the white wire from the fixture to the white house (neutral) wire. Make sure all wire nuts are secured. You may wrap the connections with electrical tape. If your outlet box has a ground wire (green or bare copper) connects fixture's ground wire to it. Other wise attach the bare copper fixture wire to the green ground screw on the crossbar. Tuck the wire connections neatly into the ceiling junction box as you are holding the fixture assembly toward the ceiling.
6. Finish mounting the fixture body (D) by placing it over both Mounting screws (A) so that the screws protrude from the keyholes in the bottom of the fixture body (D). Rotate the fixture body (D) until the screw are seated in the slots of the keyholes and tightened it with a screwdriver.
7. Place the tube (E) over the socket of the fixture body (D).
8. Install the light bulbs in accordance with the fixture's specifications. **DO NOT EXCEED THE MAXIMUM WATTAGE RATING!**
9. Attach the finial(F) to the bottom of the fixture body (D).

Your installation is now complete. Return power to the junction box and test the fixture.

Fig.1

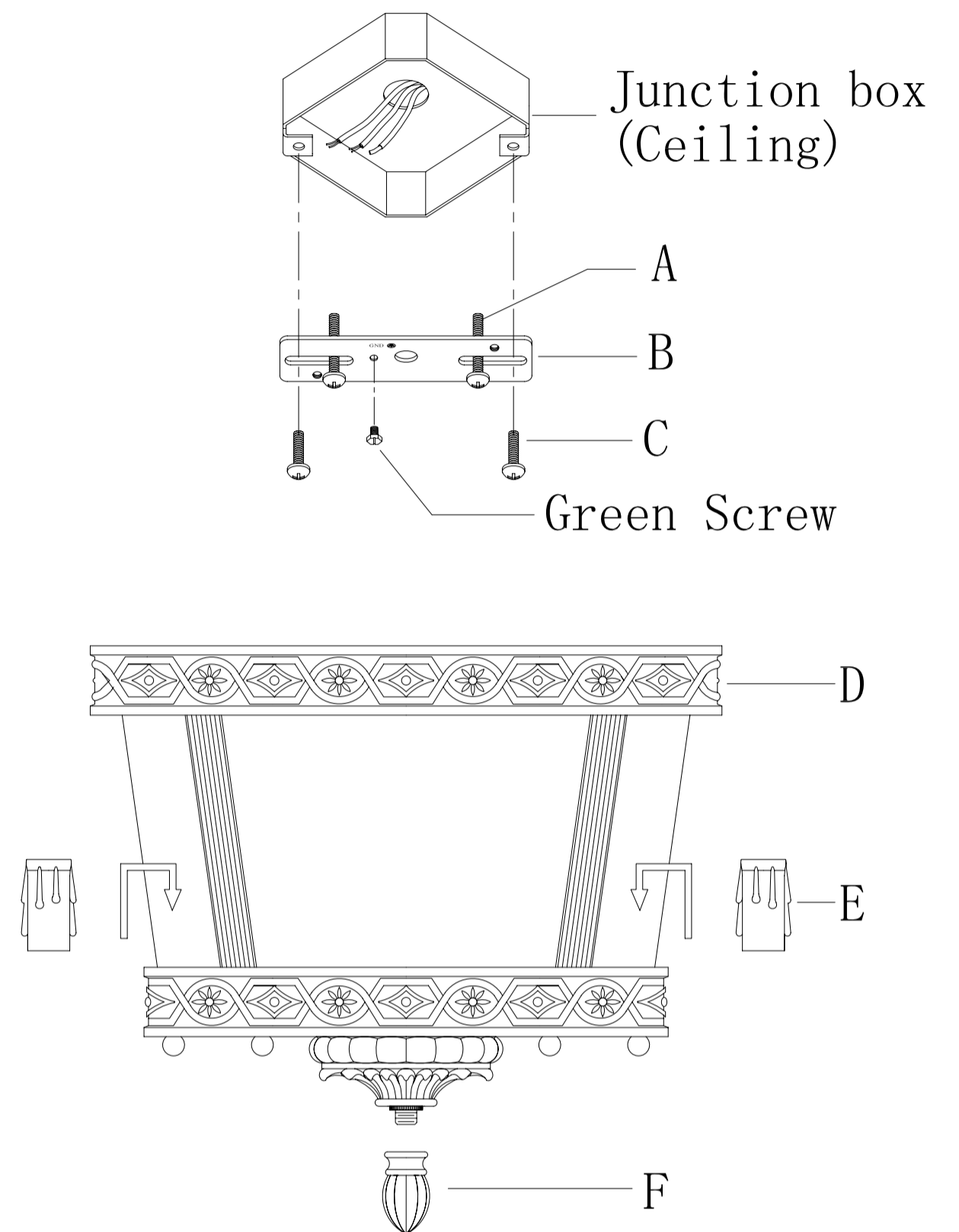
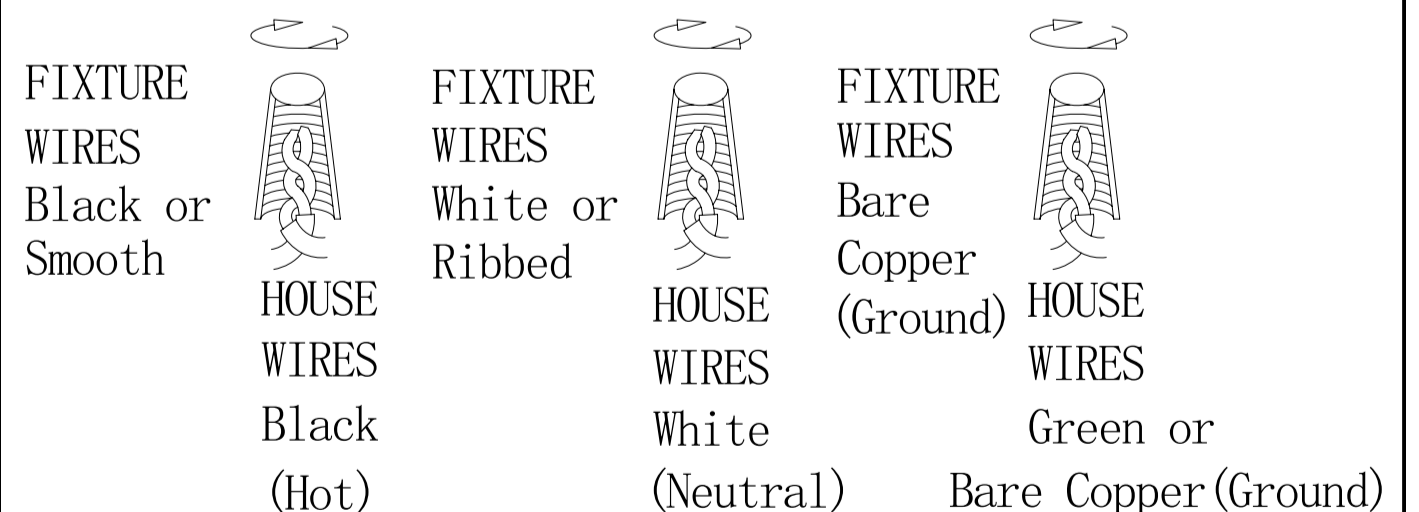


Fig.2



MIN 90°C SUPPLY CONDUCTORS