

ASSEMBLING & INSTALLATION INSTRUCTIONS FOR PRODUCT#6279

For Wall Mount Light Fixture

WARNING! SHUT POWER OFF AT FUSE OR CIRCUIT BREAKER .

MOUNTING THE FIXTURE

Installation (see fig.1)

1. Disconnect power at main electrical panel before installation.
2. Mount the back plate(F) to the wall with the plastic anchors(E) and the wood screw(G) . The side of the back plate marked "GND" must face out.
3. Guide fixture wires through hole in center of back plate.
4. Place the fixture body (C) over the back plate , thread the mounting screws(D) to the back plate(F),through the hole in the fixture back plate of the fixture body(C),then lock the mounting screws securely.
5. Raise the shade(A) to bottom of the lamp socket, then lock it securely with ring (B) until snug.
6. Mount the short back plate(H) to the wall with the plastic anchors and the wood screw, feed the fixture wires into the short back plate, then attach the long back plate(I) to the short back plate(H).
- 7. If you not need assembly the fixure lamp , please pause and Take out fixture wires nuts of the back plate , then follow wiring instructions carefully. (see fig.2 and fig.1.1)**
8. Install the light bulbs in accordance with the fixture's specifications. **DO NOT EXCEED THE MAXIMUM WATTAGE RATING!**

Wiring (see fig.2)

1. Connect the electrical wires as follows. Connect the Black wire from the fixture to the black house (hot) Wire. Connect the white wire from the fixture to the white (neutral) house wire. Make sure all wire nuts are secured. You may wrap the connections with electrical tape. If your outlet box has a ground wire (green or bare copper) connect fixture's ground wire to it. Otherwise attach the bare copper fixture wire to the green ground screw on the circular strap.
2. Tuck the wire connections neatly into the wall junction box.

Fig.1

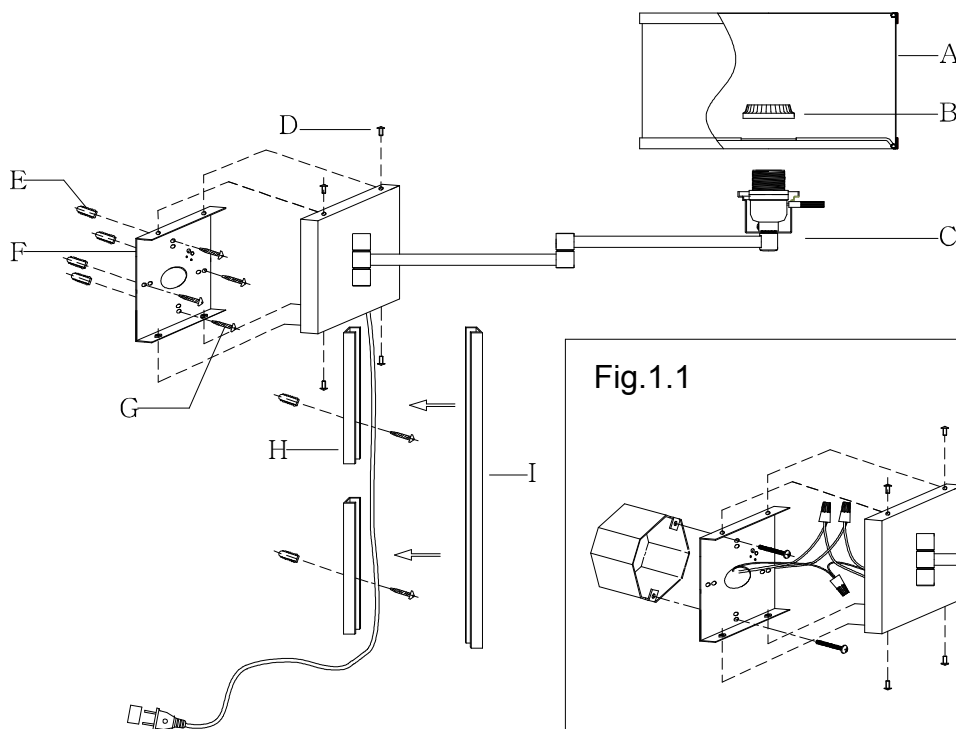


Fig.1.1

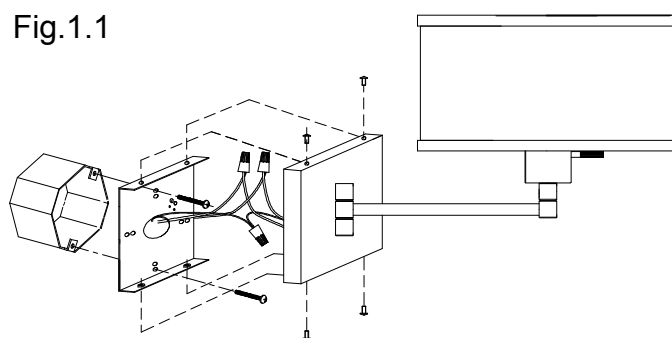


Fig.2

<p>FIXTURE WIRES</p> <p>Black or Smooth</p> <p>HOUSE WIRES</p> <p>Black (Hot)</p>	<p>FIXTURE WIRES</p> <p>White or Ribbed</p> <p>HOUSE WIRES</p> <p>White (Neutral)</p>	<p>FIXTURE WIRES</p> <p>Bare Copper (Ground)</p> <p>HOUSE WIRES</p> <p>Green or Bare Copper (Ground)</p>
---	---	--