

# INSTALLATION INSTRUCTIONS FOR PARK RIDGE SERIES

## For Semi-Flush Mount Ceiling Fixtures

**WARNING! SHUT POWER OFF AT FUSE OR CIRCUIT BREAKER .**

### ASSEMBLING THE FIXTURE (Fig.1)

1. Shut off the power at the circuit breaker box. Remove old fixture and all hardware from Junction Box.
2. Carefully unpack your new fixture and lay out all the parts on a clear area. Take care not to lose any small parts necessary for installation.
3. Thread the two Studs about 1/4" into the pre-drilled holes in the mounting plate spaced the same distance apart as the holes in the canopy (A).
4. Attach the mounting plate to the Junction Box with the two Junction Box Screws as shown. The side of the mounting plate marked "GND" must face out.
5. Attach canopy (A) to the top center pipe nipple (K) of the shade (D), by turning it clockwise until tight.
6. Thread the pipe nipple (F) into bottom center coupling of the socket (C) and lock it securely with the hex nut (E). Thread lock hex nut (G) onto the end of the pipe nipple (F).
7. Install the light bulbs in accordance with the fixture specifications  
**NOTE: DO NOT EXCEED THE SPECIFIED WATTAGE!**
8. Raise the steel shim (L), glass (H) and plastic shim (I) to bottom of the shade (D), aligning the hole with pipe nipple and screw it with the lock finial (J).
9. While holding the shade assembly towards the ceiling, connect the electrical wires as Shown in Fig.2, making sure that all wire nuts are secured. You may have to wrap the connections with electrical tape. If your outlet has a ground wire (green or bare copper), connect the fixture ground wire to it. Otherwise connect fixture's ground wire directly to the mounting plate with the green screw provided. After wires are connected, tuck them carefully inside the Junction Box.
10. Raise the shade assembly onto the junction box, aligning screws on mounting plate with mounting holes in canopy (A) and lock it securely with the ball nut (B).

**Your installation is now complete. Return power to the junction box and test the fixture.**

Fig.1

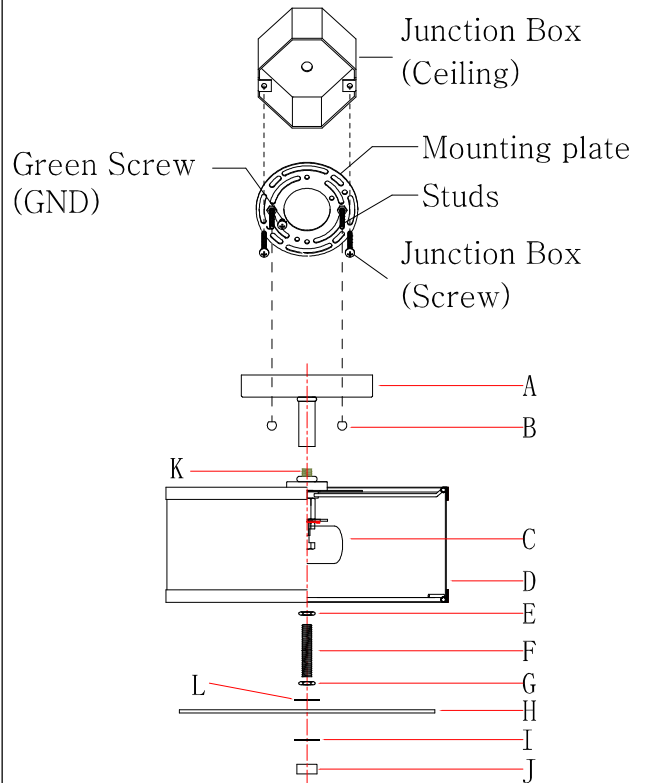


Fig.2

