

WARNING! SHUT POWER OFF AT FUSE OR CIRCUIT BREAKER .

ASSEMBLING THE FIXTURE (Fig.2)

1. Thread the nipple (L) into the coupling on bottom of the fixture body (I) and lock it with the hex nut .
2. Raise the cover (M) to bottom of the fixture body (I), aligning the hole with the pipe nipple, then screw it with the lower finial (N). Attach the finial(H) to the top of the fixture body (I) and lock it until tight.
3. Carefully lift the glass shade (J) to the socket of the fixture body (I) and lock it securely with the check ring (K).

HANGING THE FIXTURE (Fig.1)

1. Shut off the power at the circuit breaker and remove old fixture from ceiling, including the old single bar.
2. Carefully unpack new fixture and lay all the parts on a clear surface.
3. Thread end of nipple (C) into single bar (D).
4. Place lock washer (B) over end of nipple protruding from single bar and thread hex nut (A) onto nipple until tight.
5. Take this single bar assembly and mount to ceiling junction box with junction box screws(E). Tighten screws securely with screwdriver. The side of the single bar marked "GND" must face out.

CONNECTING THE WIRES (Fig.3)

1. Take the black wire from the ceiling junction box and the smooth wire leg from the fixture and twist bare ends together. Twist wire connector onto end of wire until snug.
2. Repeat same process with white junction box wire and ribbed wire leg of fixture wire. NOTE: Twist wires together in the same direction you twist the wire connector onto wires.
3. If your junction box has a grounding wire (green or bare copper), attach this wire and the bare copper wire from the fixture together as step 1. If junction box has no ground wire, attach the bare copper fixture wire to the green ground screw on the single bar.
4. Tuck these wire connections neatly into the ceiling outlet box and then raise the fixture canopy all the way to the ceiling.
5. Place the fixture canopy (F) over the nipple (C), and then tighten it with the ball nut (G).
6. Install the light bulbs in accordance with the fixture specifications **NOTE: DO NOT EXCEED THE SPECIFIED WATTAGE.**

Your installation is now complete Return power to the junction box and test the fixture.

Fig.1

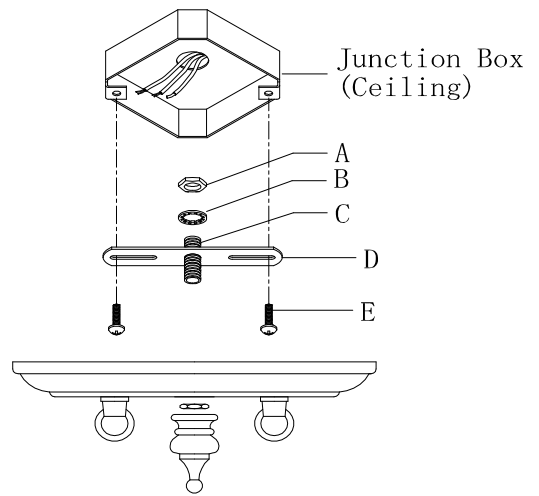


Fig.2

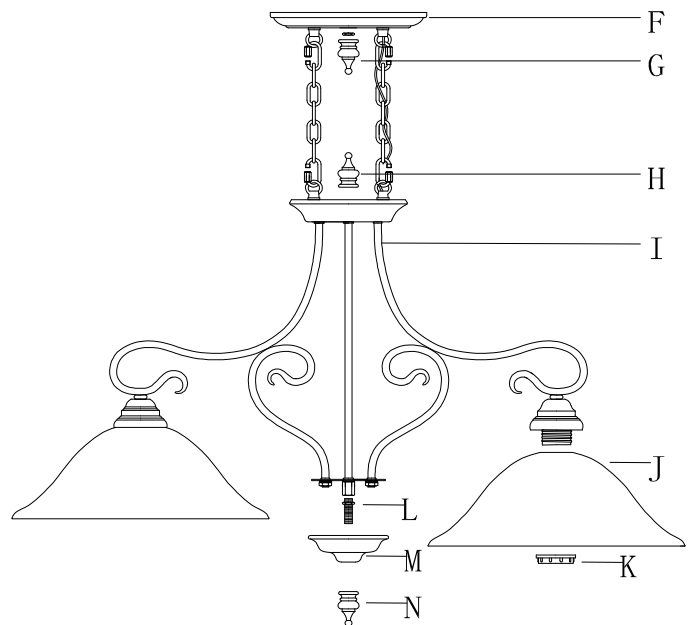


Fig.3

