

WARNING! SHUT POWER OFF AT FUSE OR CIRCUIT BREAKER .

ASSEMBLING THE FIXTURE (Fig.2)

1. Attach the tube (B) to top of the center part (C) and screw it securely with the loop (A) until tight.
2. Place the two glass plates (F) (smooth side will be on bottom) over the fixture body (C) aligning the pipe nipple, attach the collar ring (E) and lock securely with the nut (D).
3. Attach the arms (P) to the center part (C) with the ball screw (Q) until tight.
4. Raise the trim (R) to the arms (P) until tangency, aligning hole with ball end screws (Q) and lock the arms securely with the ball nut (S).
5. Install the light bulbs in accordance with the fixture specifications
NOTE: DO NOT EXCEED THE SPECIFIED WATTAGE!
6. Thread the nipple (H) into the hickey on bottom of the fixture body (C) and lock it with the hex nut (G).
7. Raise the glass shade (J) to bottom of lower fixture assembly, aligning hole with nipple threads and then lock it with the ring (K).
8. Raise the cap (L), the iron frame (M) and the finial base (N) to bottom of the glass shade (J), aligning hole with nipple (H) threads. Then lock them securely with the finial (O).
9. Attach the crystal (I) to the fixture body (C), the iron frame (M) and the finial (O).

HANGING THE FIXTURE (Fig.1)

1. Shut off the power at the circuit breaker and remove old fixture from ceiling, including the old crossbar.
2. Carefully unpack new fixture and lay all the parts on a clear surface.
3. Thread nipple (C) into loop (F) until snug.
4. Thread other end of nipple (C) with loop attached into crossbar (D) until snug.
5. Place lock washer (B) over end of nipple protruding through crossbar and thread hex nut (A) onto nipple until tight.
6. Take this crossbar assembly and mount to ceiling junction box with junction box screws (E). Tighten screws securely with screwdriver.
7. Open one end link of the chain provided and connect to the fixture loop (K). Close the link.
8. Lace the fixture wires through the chain.
9. Slip loop collar (J) over the chain, then do the same with the canopy (G) and the iron frame (H).
10. Open the other end link of the chain and hang the fixture on the loop (F) at the ceiling. Close the link.
11. Feed the fixture wires through the loop (F) and nipple (C) and pull until taut.
12. Slide canopy (G) and the iron frame (H) up flush to ceiling, secure using loop (J).
13. Attach the crystal (I) to the small ring of the iron frame (H).

CONNECTING THE WIRES (Fig.3)

1. Take the black wire from the ceiling junction box and the smooth wire leg from the fixture and twist bare ends together. Twist wire connector onto end of wire until snug.
2. Repeat same process with white junction box wire and ribbed wire leg of fixture wire. NOTE: Twist wires together in the same direction you twist the wire connector onto wires.
3. If your junction box has a grounding wire (green or bare copper), attach this wire and the bare copper wire from the fixture together as step 1. If junction box has no ground wire, attach the bare copper fixture wire to the green ground screw on the crossbar.
4. Tuck these wire connections neatly into the ceiling outlet box and then raise the canopy (G) all the way to the ceiling. Raise the loop (H) and thread onto ceiling loop protruding through canopy

Your installation is now complete. Return power to the junction box and test the fixture.

Fig.1

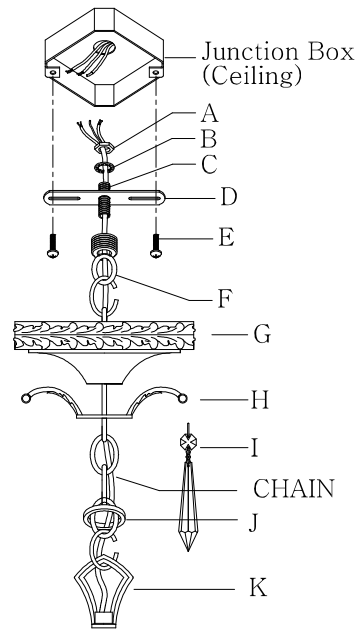


Fig.2

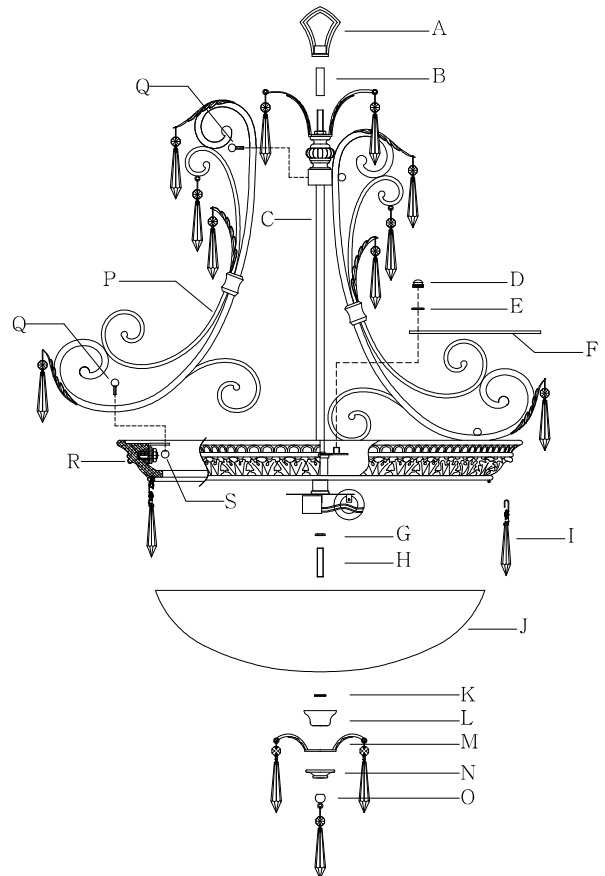


Fig.3

