

INSTALLATION INSTRUCTION FOR 8882-65

WARNING! SHUT POWER OFF AT FUSE OR CIRCUIT BREAKER .

MOUNTING THE FIXTURE (Fig.1)

1. Shut off the power at the circuit breaker box. Remove old fixture and all hardware from Junction Box.
2. Carefully unpack your new fixture and lay out all the parts on a clear area. Take care not to lose any small parts necessary for installation.
3. Thread the two Studs (A) about 1/4" into the pre-drilled holes in the Crossbar spaced the same distance apart as the holes in the canopy (B).
4. Attach the Crossbar to the Junction Box with the two Junction Box Screws as shown. The side of the Crossbar marked "GND" must face out.
5. While holding the column assembly towards the ceiling, connect the electrical wires as Shown in Fig.2, making sure that all wire nuts are secured. You may have to wrap the connections with electrical tape. If your outlet has a ground wire (green or bare copper), connect the fixture ground wire to it. Otherwise connect fixture's ground wire directly to the Crossbar with the green screw provided. After wires are connected, tuck them carefully inside the Junction Box.
6. Attach the loop (E) to top of the fixture body (F) by turning it clockwise until tight.
7. Attach the finial (L) to the bottom of the fixture body (F).
8. Place the trim (H) over the glass shade (I) until it rests on the lip of the glass shade (I). Carefully lift the glass shade (I) and the trim (H) onto the socket (G) of the fixture body (F) and then secure it in place with the collar ring (J) and the check ring (K), tighten securely.
9. Then cover the junction box with the canopy (B), aligning the screw of mounting plate with the hole of canopy and lock it with brass ball (C).
10. Attach the crystal (D) to the canopy (B), the fixture body (F) and the finial (L).
11. Install the light bulbs in accordance with the fixture specifications. **NOTE: DO NOT EXCEED THE SPECIFIED WATTAGE!**

Your installation is now complete. Return power to the junction box and test the fixture.

Fig.1

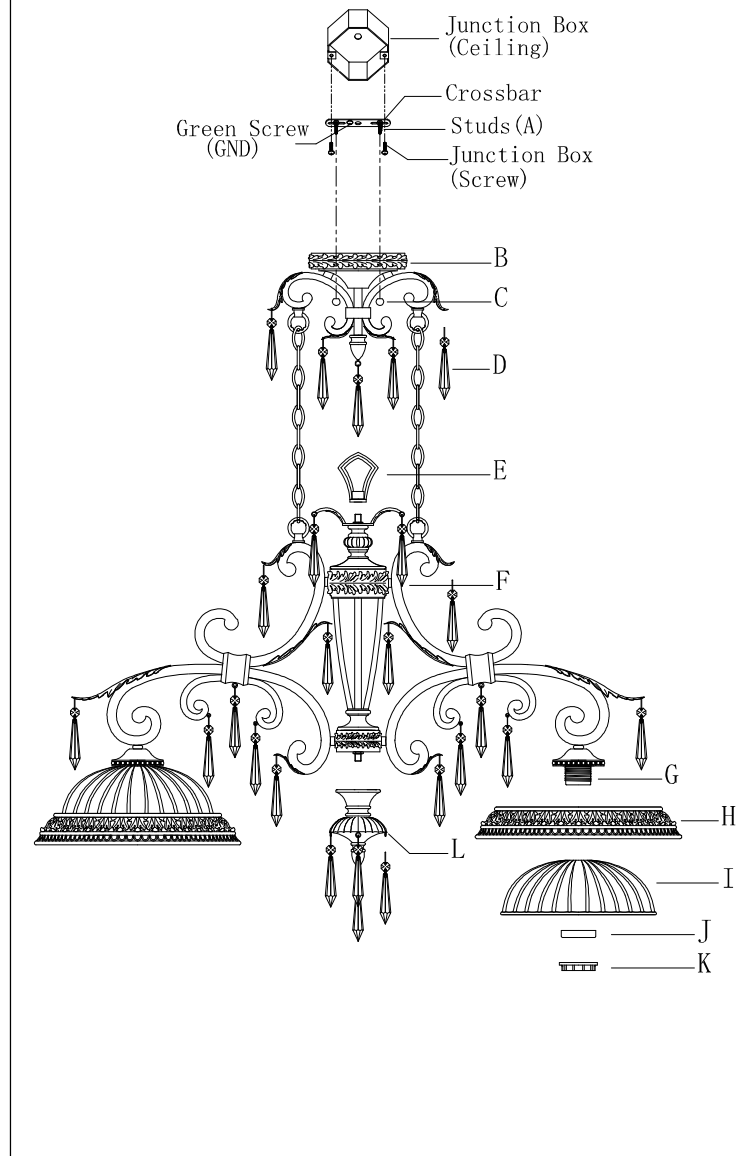
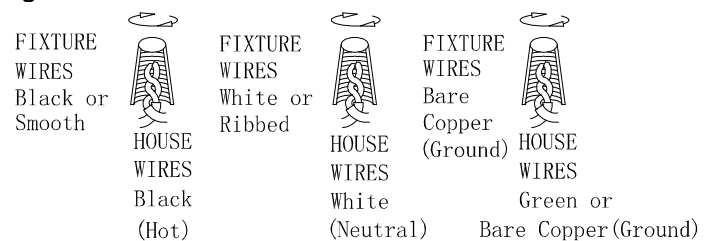


Fig.2



UL
Listed

Livex Lighting