

INSTALLATION INSTRUCTION 8817-65 8818-65 8819-65

For Flush Mount Ceiling Fixtures

WARNING! SHUT POWER OFF AT FUSE OR CIRCUIT BREAKER .

MOUNTING THE FIXTURE

1. Shut off the power at the fuse box or circuit breaker box. Remove the old fixture from ceiling, including the crossbar.
2. Carefully unpack your new fixture and lay out all the parts on a clear area. Take care not to lose any small parts necessary for installation.
3. Thread the two Mounting Screws (A) about 1/4" into the pre-drilled holes in the Crossbar (B) spaced the same distance apart as the holes in the pan (E).
4. Attach the crossbar (B) to the outlet Box using the two screws (C) from the outlet Box. The side of the crossbar marked "GND" must face out.
5. Hold the fixture (D) and pan (E) towards the crossbar and connect the electrical wires as follows (See Fig.2). Connect the black wire from the fixture to the black house (hot) wire; connect the white wire from the fixture to the white house (neutral) wire. Make sure all wire nuts are secured. You may wrap the connections with electrical tape. If your outlet box has a ground wire (green or bare copper) connects fixture's ground wire to it. Other wise attach the bare copper fixture wire to the green ground screw on the crossbar. Tuck the wire connections neatly into the ceiling junction box as you are holding the fixture assembly toward the ceiling.
6. Finish mounting the pan (E) by placing it over both Mounting screws (A) so that the screws protrude from the keyholes in the bottom of the pan (E). Rotate the pan (E) until the screw are seat in the slots of the keyholes and tighten it with a screwdriver.
7. Install the light bulbs in accordance with the fixture's specifications. **DO NOT EXCEED THE MAXIMUM WATTAGE RATING!**
8. Thread the pipe (G) into the center coupling of the pan (E) and tighten it with the nut (F).
9. Put the glass shade (H) onto the fixture (D) and protruding the pipe (G) from the center hole of the glass shade (H).
10. Thread the lock nut (I) onto the pipe (G), then attach the finial base (J) and tighten firmly with the finial (K).

Your installation is now complete. Return power to the junction box and test the fixture.

Fig.1

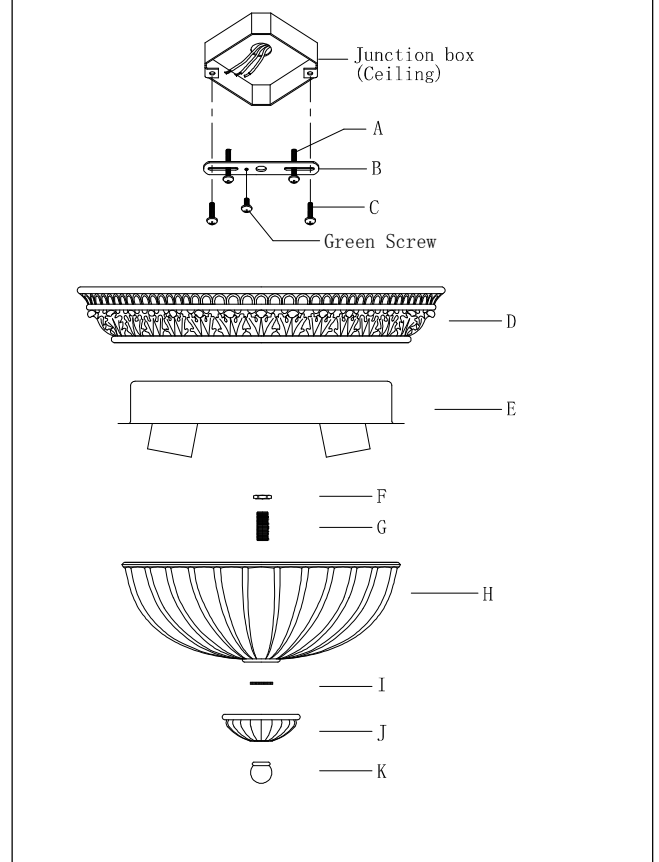
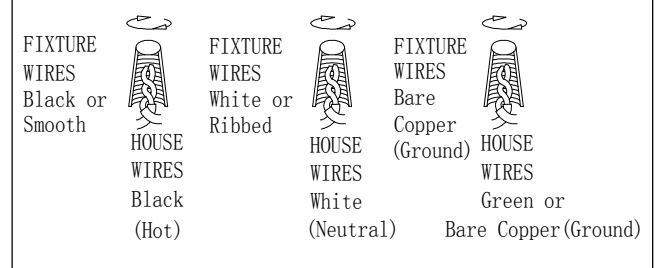


Fig.2



MIN 90°C SUPPLY CONDUCTORS