

# INSTALLATION INSTRUCTIONS FOR 4352

**WARNING! SHUT POWER OFF AT FUSE OR CIRCUIT BREAKER .**

## ASSEMBLING THE FIXTURE (Fig.2).

1. Raise the glass ring(D) to bottom of the glass shade(C), lock it securely with knob (F) until snug.
2. Place the glass shade (C) onto the socket(B) of the fixture body (A), and the screw ring (E) securely tighten.
3. Install the light bulbs in accordance with the fixture specifications  
NOTE: DO NOT EXCEED THE SPECIFIED WATTAGE!

## HANGING THE FIXTURE (Fig.1)

1. Shut off the power at the circuit breaker and remove old fixture from ceiling, including the old crossbar.
2. Carefully unpack new fixture and lay all the parts on a clear surface.
3. Thread the two Studs (A) about 1/4" into the pre-drilled holes in the Mounting strap.
4. Take this Mounting strap assembly and mount to ceiling junction box with junction box screws. Tighten screws securely with screwdriver. The side of the Mounting strap marked "GND" must face out.
5. Using proper chain pliers to open one end link of the chain provided and connect to the fixture loop (D). Close the link.
6. By measuring, determine correct number of links needed for proper hanging height. Using proper chain pliers disconnect and discard remaining chain.
7. Lace the fixture wires through the chain.
8. Open the other end link of the chain and hang the fixture on the loop at the ceiling. Close the link.
9. Feed the fixture wires through the loop and canopy(B) and pull until taut.
10. Then cover the junction box with canopy (B), aligning the Screw of mounting plate with the hole of canopy and lock it with brass ball (C).

## CONNECTING THE WIRES (Fig.3)

1. Take the black wire from the ceiling junction box and the smooth wire leg from the fixture and twist bare ends together. Twist wire connector onto end of wire until snug.
2. Repeat same process with white junction box wire and ribbed wire leg of fixture wire. NOTE: Twist wires together in the same direction you twist the wire connector onto wires.
3. If your junction box has a grounding wire (green or bare copper), attach this wire and the bare copper wire from the fixture together as step 1. If junction box has no ground wire, attach the bare copper fixture wire to the green ground screw on the crossbar.
4. Tuck these wire connections neatly into the ceiling outlet box and then raise the canopy (B) all the way to the ceiling. Raise the ball (C) and thread onto ceiling mounting plate protruding through canopy.

**Your installation is now complete. Return power to the junction box and test the fixture.**

Fig.1

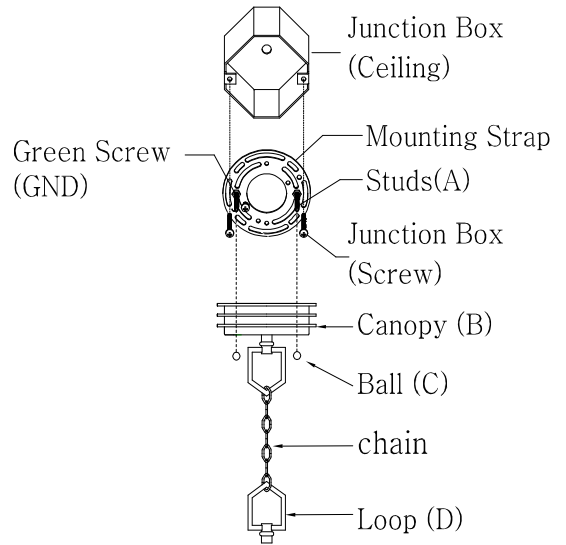


Fig.2

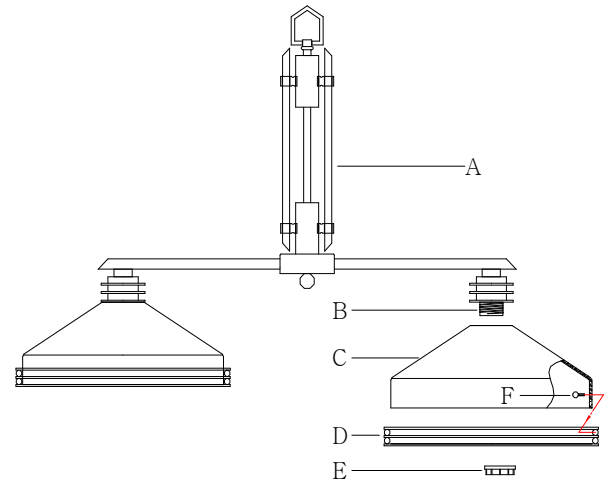


Fig.3

FIXTURE WIRES Black or Smooth		FIXTURE WIRES White or Ribbed		FIXTURE WIRES Bare Copper (Ground)	
HOUSE WIRES Black (Hot)		HOUSE WIRES White (Neutral)		HOUSE WIRES Green or Bare Copper (Ground)	

UL  
Listed

Livex Lighting