

INSTALLATION INSTRUCTIONS FOR 8828-64

WARNING! SHUT POWER OFF AT FUSE OR CIRCUIT BREAKER .

ASSEMBLING THE FIXTURE (Fig.2)

1. Attach the finial (B) to the fixture center body (C) by turning it clockwise until tight.
2. Place the glass (G) into the iron frame (D) and press the iron slices firmly to fix the glass.
3. Attach the iron frame (D) onto the socket of the fixture body (C) then secure it in, place with ring (E) and screw shell (F) securely tighten.
4. Install the light bulbs in accordance with the fixture's specifications. **DO NOT EXCEED THE MAXIMUM WATTAGE RATING.**

HANGING THE FIXTURE (Fig.1)

1. Shut off the power at the circuit breaker box. Remove old fixture and all hardware from Junction Box.
2. Carefully unpack your new fixture and lay out all the parts on a clear area. Take care not to lose any small parts necessary for installation.
3. Thread the two Studs (A) about 1/4" into the pre-drilled holes in the mounting strap spaced the same distance apart as the holes in the fixture canopy.
4. Install the mounting strap to the Junction Box with the two Junction Box Screws as shown. The side of the mounting strap marked "GND" must face out.

CONNECTING THE WIRES (Fig.3)

1. While holding the canopy and lamp cluster towards the ceiling, making sure that all wire connectors are secured. You may have to wrap the connections with electrical tape. If there is a Ground Wire (green or bare copper) in your outlet box, connect the fixture's Ground Wire to it. Otherwise connect fixture's ground wire directly to the mounting strap with the Green Screw provided. After wires being connected, tuck them carefully inside the Junction Box.
2. Then cover the junction box with canopy, aligning the Screw of mounting plate with the hole of canopy and lock it with brass ball (A).

Your installation is now complete Return power to the junction box and test the fixture.

Fig.1

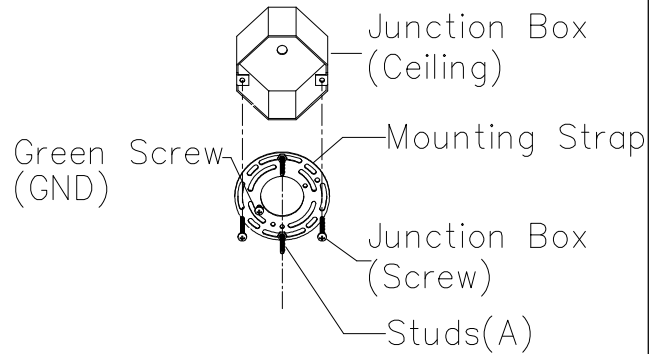


Fig.2

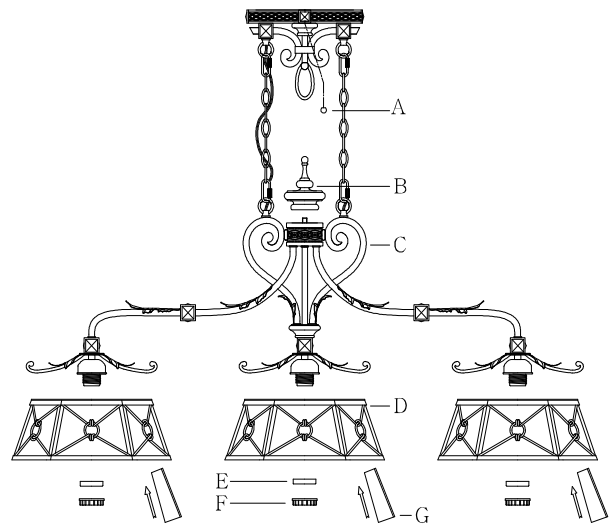


Fig.3

