

# INSTALLATION INSTRUCTIONS FOR 8587

**WARNING! SHUT POWER OFF AT FUSE OR CIRCUIT BREAKER .**

## ASSEMBLING THE FIXTURE (Fig.2).

1. Return the arms to suitable position, see figure.2.
2. Raise the pipe nipple with the hex nut(D) to the top coupling of the fixture body(E) and securely tighten. Attach the crown(C) over end pipe nipple of the fixture body (E), then attach the lamellar nut(B) and loop(A) to the crown(C) by turning it clockwise until tight.
3. Attach the small plastic shim to knob screw(F).
4. Place the glass plates (G) (smooth side will be on bottom) to the bottom plate of fixture body (E) aligning the holes, and lock securely with the knob screw(F).
5. Raise the big ring (I) to the arms until tangency, attach the knob screw(H) into the arm's hole and hook's (in the big ring) hole, then lock them securely with the ball nut (R).
6. Install the light bulbs in accordance with the fixture specifications  
**NOTE: DO NOT EXCEED THE SPECIFIED WATTAGE!**
7. Thread pipe (J) into center coupling of the fixture body (E) and tighten it with hex nut. Raise the iron shim(K), plastic shim (L), glass shade(S) to the protruding the pipe(J), attach the plastic shim (M) and iron shim(N) onto the glass and tighten firmly with the hex nut (O). Attach the cover (P) to the glass and tighten firmly with the finial (Q).

## HANGING THE FIXTURE (Fig.1)

1. Shut off the power at the circuit breaker and remove old fixture from ceiling, including the old crossbar.
2. Provide a 1/4" IPS pipe with one end securely mounted to a beam or a structural member. The other end should protrude through the center of the outlet box as shown.
3. Assemble the ceiling loop, nipple, nuts and hickey to center 1/4"IPS support pipe and adjust overall length to allow the lock collar to hold the canopy flush to the ceiling. When the adjustments have been completed, secure the three (3) nuts, as shown.
4. Attach the chain to the fixture loop. Slip the lock collar and canopy over the upper end of the chain. Open the end link of the chain and lift the fixture to attach to the ceiling loop and secure the link.
5. Lace the fixture wires, ground wire and safety cable through the chain and loop, exiting through the side of hickey. Run the safety cable through the top of the outlet box and secure to structural member.

## CONNECTING THE WIRES (Fig.3)

1. Take the black wire from the ceiling junction box and the smooth wire leg from the fixture and twist bare ends together. Twist wire connector onto end of wire until snug.
2. Repeat same process with white junction box wire and ribbed wire leg of fixture wire. NOTE: Twist wires together in the same direction you twist the wire connector onto wires.
3. If your junction box has a grounding wire (green or bare copper), attach this wire and the bare copper wire from the fixture together as step 1. If junction box has no ground wire, attach the bare copper fixture wire to the green ground screw on the crossbar.
4. Tuck these wire connections neatly into the ceiling outlet box and then raise the canopy all the way to the ceiling. Raise the loop and thread onto ceiling loop protruding through canopy

**Your installation is now complete. Return power to the junction box and test the fixture.**

Fig.1

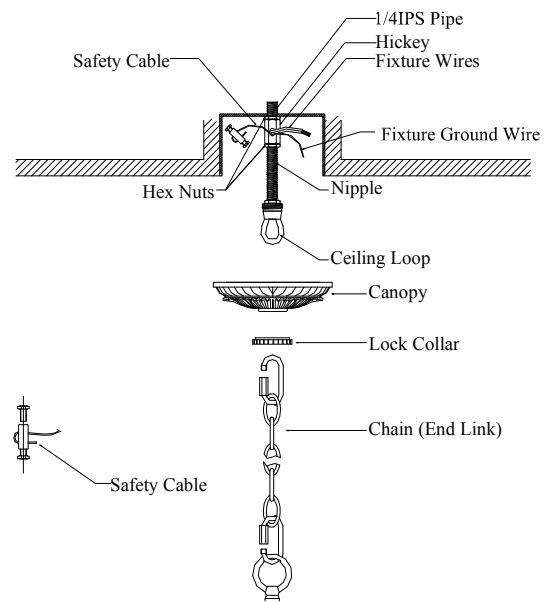


Fig.2

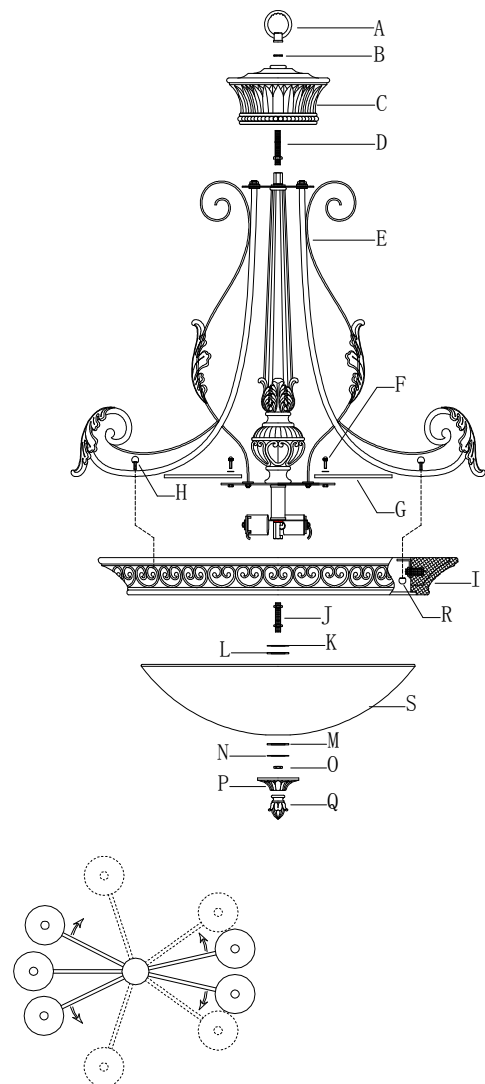


Fig.3

