

WARNING! SHUT POWER OFF AT FUSE OR CIRCUIT BREAKER .

ASSEMBLING THE FIXTURE (Fig.2).

1. Return the five arms to suitable position ,see figure.2.
2. Attach the fixture body (A) to the fixture body (B) by turning it clockwise until tight.
3. Place the two glass plates (F) (smooth side will be on the bottom) over the fixture body (B) aligning the pipe nipple, attach the washer (E) and lock securely with the nut (C).
4. Install the light bulbs in accordance with the fixture specifications
NOTE: DO NOT EXCEED THE SPECIFIED WATTAGE!
5. Raise the trim (I) to the arms of the fixture body (B) until tangency and lock the arms securely with the ball screws (D) aligning with the holes in the trim (I)
6. Thread the nipple (H) into the hickey located on the bottom of the fixture body (B) then screw it with the hex nut (G).
7. Gently raise the glass shade (J) to bottom of the trim (I), aligning hole with the nipple (H) and screw it with the brass trim (K).
8. Attach the finial base (L) to the end of nipple (H) and tighten firmly with the finial (M).

HANGING THE FIXTURE (Fig.1)

IMPORTANT: For a safe and secure installation, this fixture must be installed by means of support that is independent of the outlet box.

SUGGESTED INSTALLATION:

1. Shut off the power at the circuit breaker and remove old fixture from ceiling, including the old crossbar.
2. Provide a 1/4" IPS pipe with one end securely mounted to a beam or a structural member. The other end should protrude through the center of the outlet box as shown.
3. Assemble the ceiling loop, nipple, nuts and hickey to center 1/4"IPS support pipe and adjust overall length to allow the lock collar to hold the canopy flush to the ceiling. When the adjustments have been completed, secure the three (3) nuts, as shown.
4. Attach the chain to the fixture loop. Slip the lock collar and canopy over the upper end of the chain. Open the end link of the chain and lift the fixture to attach to the ceiling loop and secure the link.
5. Lace the fixture wires, ground wire and safety cable through the chain and loop, exiting through the side of hickey. Run the safety cable through the top of the outlet box and secure to structural member.

CONNECTING THE WIRES (Fig.3)

1. Take the black wire from the ceiling junction box and the smooth wire leg from the fixture and twist bare ends together. Twist wire connector onto end of wire until snug.
2. Repeat same process with white junction box wire and ribbed wire leg of fixture wire. NOTE: Twist wires together in the same direction you twist the wire connector onto wires.
3. If your junction box has a grounding wire (green or bare copper), attach this wire and the bare copper wire from the fixture together as step 1.If junction box has no ground wire, attach the bare copper fixture wire to the green ground screw on the crossbar.
4. Tuck these wire connections neatly into the ceiling outlet box and then raise the canopy all the way to the ceiling. Raise the loop and thread onto ceiling loop protruding through canopy.

Your installation is now complete. Return power to the junction box and test the fixture.

Fig.1

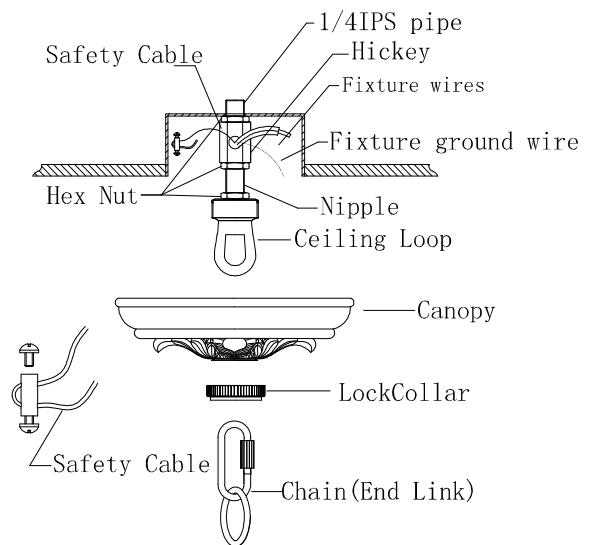


Fig.2

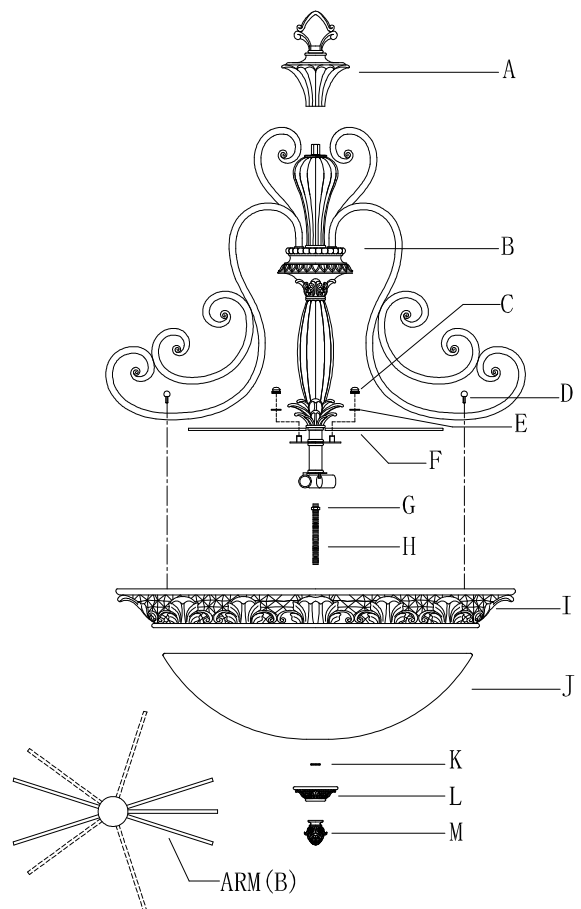


Fig.3

