


**Middle Atlantic Products**

EXCEPTIONAL SUPPORT &amp; PROTECTION™

# ISRK Under Desk / Mobile Presentation Rack



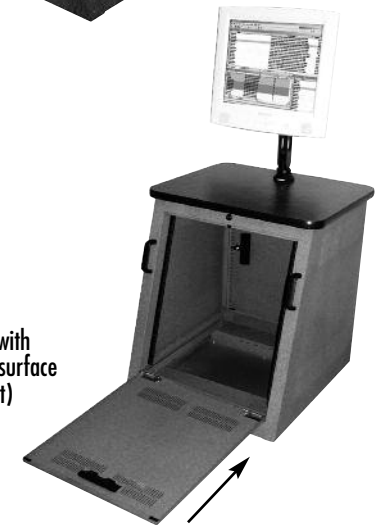
**Under desk / mobile presentation rack features Glide-Away™ front door and an ergonomic viewing angle**

## Features

- Rolls under standard height desks
- 15 degree slope provides an ergonomic viewing angle when used under-desk
- Scuff Resistant Glide-Away™ front door easily hides away, and requires minimal clearance in cramped environments
- 12 useable rackspace front and rear
- Knockouts on face of rack accept Decora style low-voltage switches or devices
- Secure, locking front door
- Secure, full height locking rear door
- Available graphite finish work surface accommodates single LCD monitor mount
- Removable electrical knockout panels for ease of cable entry/exit
- 200 lb. weight capacity
- Durable granite gray textured powder coat finish
- Non-marring furniture grade casters
- UL Listed in the US and Canada



ISRK  
(shown closed)



ISRK (shown with  
optional work surface  
and LCD mount)

## Architects' and Engineers' Specifications

EIA compliant 19" under desk / mobile presentation rack shall be Middle Atlantic Products model # ISRK-12GY. Overall dimensions shall be 23" W x 26.875"H x 26" D. ISRK shall be constructed of 18-gauge steel, scuff resistant Glide-Away™ front door shall be constructed of 20-gauge steel. ISRK shall have a weight capacity of 200 lbs. and come standard with a granite gray finish. Front rackrail shall have 12 spaces and shall be constructed of 11-gauge steel with tapped 10-32 mounting holes in universal EIA spacing with black e-coat finish with marked rackspace. Rear rackrail shall be cage nut style and come with 12, 10-32 threaded, cage nuts and be constructed of 18-gauge steel. Rack shall come equipped with 2" swivel casters and locking front and rear doors standard. Rack shall be UL Listed in the U.S. and Canada. Rack shall be GREENGUARD Indoor Air Quality Certified for Children and Schools. Rack shall be RoHS EU Directive 2002/95/EC compliant. Rack shall be manufactured by an ISO 9001 and ISO 14001 registered company. Rack shall be warranted to be free from defects in material or workmanship under normal use and conditions for the lifetime of the rack.

### OPTIONS

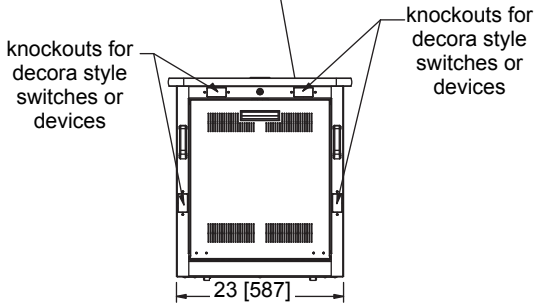
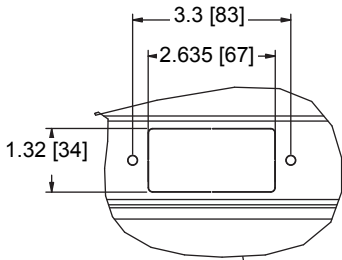
- Furniture grade, graphite finish work surface shall be Middle Atlantic Products part # WS1-ISRK-21G
- Single LCD monitor mount shall have a black finish and be Middle Atlantic Products part # LD-MMB1X1

**CUSTOMIZABLE SPECIFICATION CLIPS AVAILABLE AT MIDDLEATLANTIC.COM**

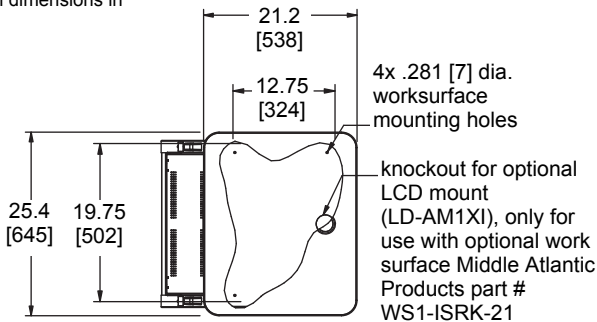
# ISRK basic dimensions

All dimensions in inches unless otherwise noted [All dimensions in brackets are millimeters]

## LKO FOR DECORA DETAIL 4 PLACES

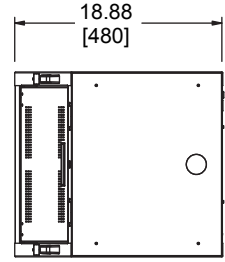


**FRONT VIEW**



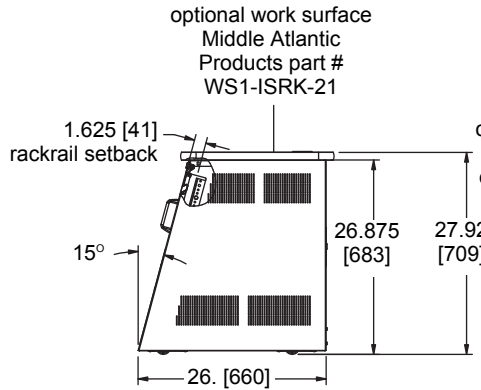
**TOP VIEW**

(shown with optional worksurface)



**TOP VIEW**

(shown without optional worksurface)

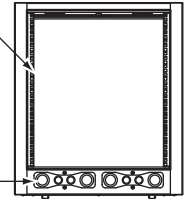


**SIDE VIEW**

(shown with optional worksurface)

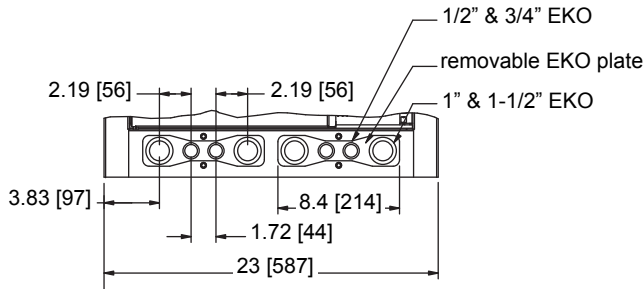
10-32 threaded cage nuts provided for installing equipment on rear rackrail

removable knockout plate

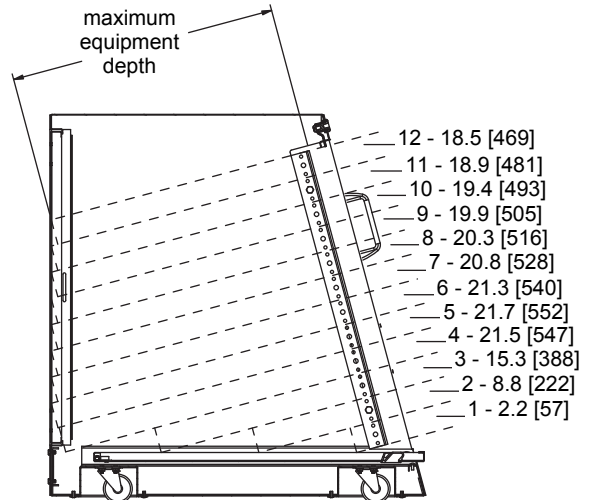


**REAR VIEW**

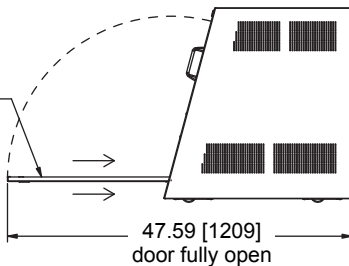
(shown with rear door removed)



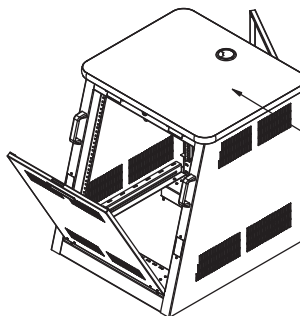
**BOTTOM REAR VIEW**



fully retractable and removable front door



door fully open



optional worksurface (WS1-ISRK-21) with grommet for LCD mount and cable pass through