



Middle Atlantic Products, Inc.

middleatlantic.com

# RPS Series Remote Power Switch

PATENT PENDING

## 15 Amp RPS Remote Power Switch

### Features

- Available keylocked model when security is a concern, or a switched model for secure areas
- Fits in any Decora® opening and can also be mounted to any flat surface
- Ideal for installations where it is desirable to keep users from having the ability to make any adjustments
- Generous 7' cord
- Finished in a durable black textured powder coat
- UL Listed in the US and Canada



### Architects' and Engineers' Specifications

15 Amp RPS Series remote power switch shall be Middle Atlantic Products model # RPS (switched) / RPS-K (key operated). Remote power switch shall mount in any Decora® style knockout or on any flat surface. Remote power switch shall have a 7' power cord with a piggy-back style plug. Remote power switch shall be constructed of fully welded 18-gauge and 20-gauge steel and finished in a durable black textured powder coat. Remote power switch shall be UL Listed in both the US and Canada.

#### OPTIONS

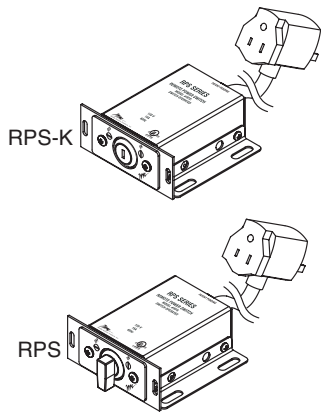
- UCP Modular Custom Panel shall be Middle Atlantic Products part # UCP-RPS
- 1 space panel, accommodates up to 4 Decora® style devices, shall be Middle Atlantic Products part # DECP-1X4
- Replacement keys, sold in sets of two, shall be Middle Atlantic Products part # RPS-KEY

electronic version available at [middleatlantic.com](http://middleatlantic.com)

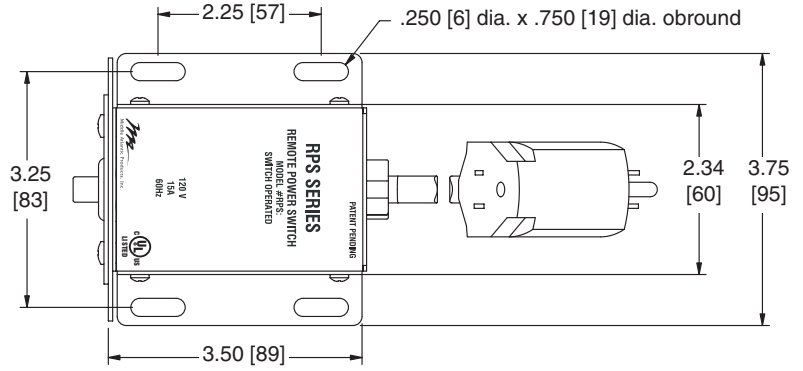
## Engineered Mounting Solutions

US: New Jersey • California • Illinois • Voice: 973-839-1011 Fax: 973-839-1976 • [middleatlantic.com](http://middleatlantic.com)  
 Canada: Ontario • British Columbia • Voice: 613-836-2501 Fax: 613-836-2690 • [middleatlantic.ca](http://middleatlantic.ca)

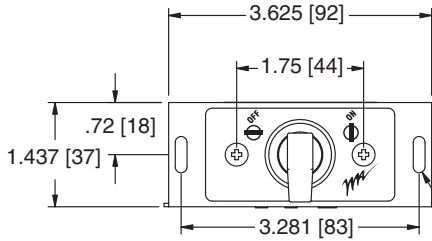
# RPS Remote Power Switch basic dimensions



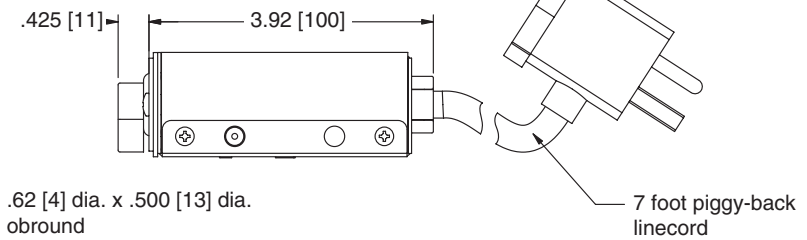
TOP VIEW



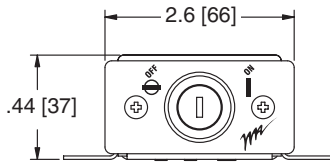
FRONT VIEW



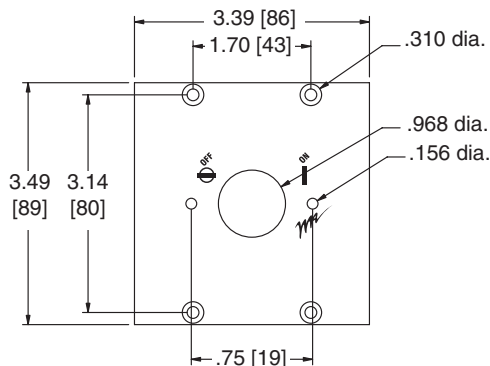
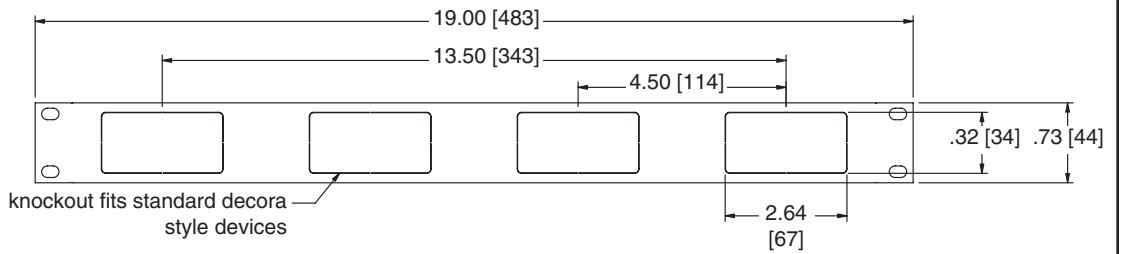
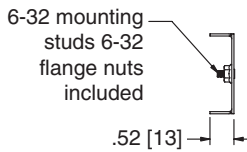
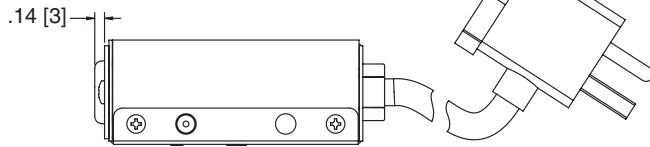
SIDE VIEW



FRONT VIEW  
(without front mounting plate)  
RPS-K



SIDE VIEW



Decora® is a registered trademark of the Leviton Corp.

