

Versa-Rack Sideways Panel Mount

Mount hubs and other network components flat against the wall or under tables or desks, with our innovative steel sideways panel mounts

Features

- Provides low-profile wall-mounting for deep hubs and routers
- Includes steel top cover
- Abundant cable lacing points provided in the rear
- Available in two racking heights: 2 and 4 spaces
- Includes pre-installed 11-gauge, 10-32 threaded rackrail
- Three position rackrail mounting allows for cable managers or flush equipment mounting
- Durable black powder coat finish



Architects' and Engineers' Specifications

Low-profile wallmount rack shall be Middle Atlantic Products/Datatel part number _____ (SPM-2, SPM-4) with ___ (2,4) useable rackspace. Rack shall have three position adjustable rackrail to allow for three combinations of front clearance and useable depth. Rackrail can be set flush with front of rack which allows a full 19" of component depth, 1.5" from the front for 17.5" of component depth, or 3" from the front for 16" of component depth. Rack shall be constructed of phosphate pre-treated 16-gauge steel finished in a durable black powder coat.

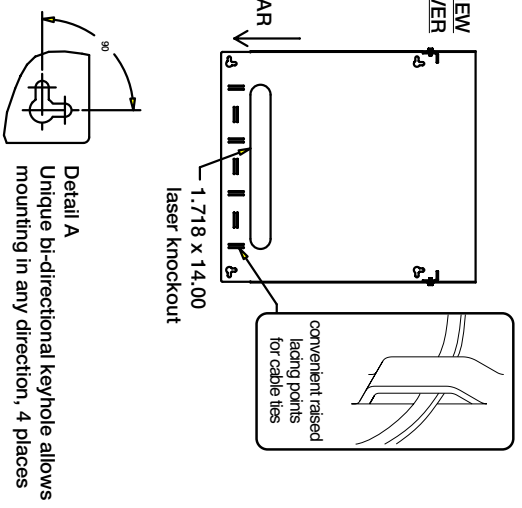
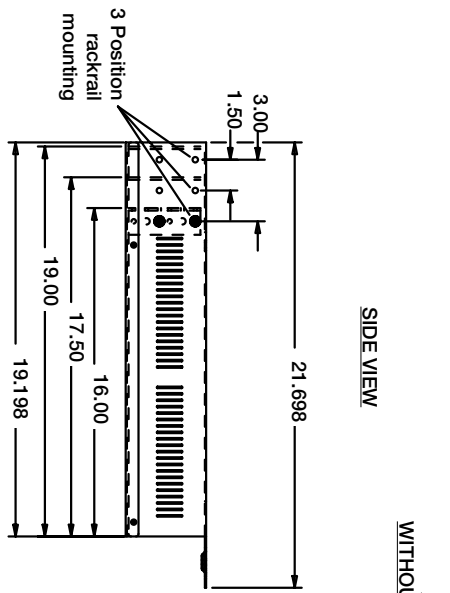
WEIGHT CAPACITY

SPM-2 50 lbs.
SPM-4 40 lbs.

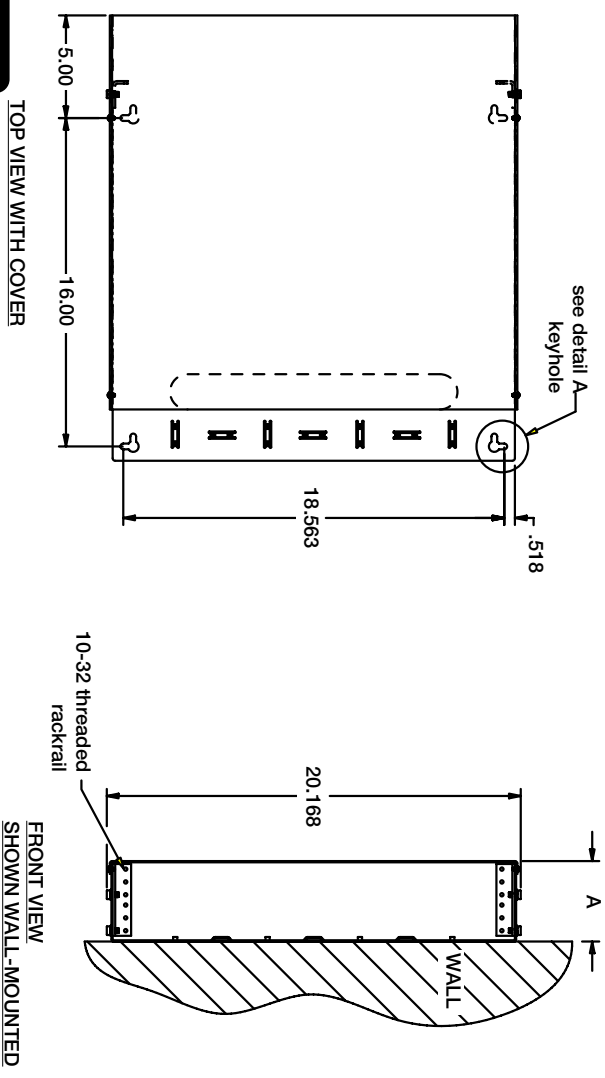
Engineered Mounting Solutions for Low Voltage Applications

SPM Series Basic Dimensions

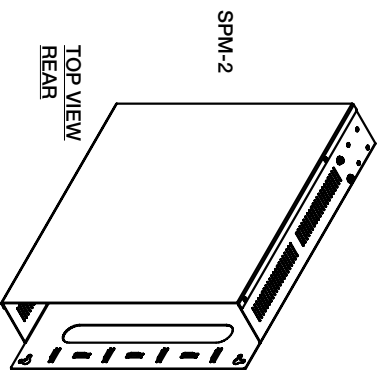
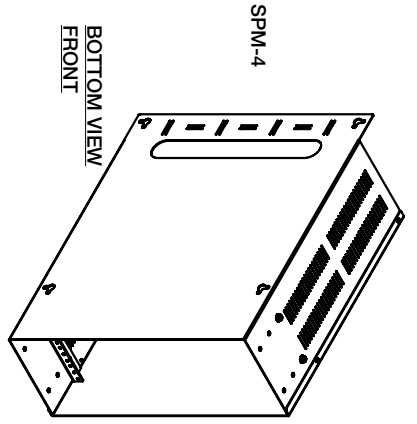
ALL DIMENSIONS IN INCHES UNLESS OTHERWISE NOTED



Detail A
Unique bi-directional keyhole allows mounting in any direction, 4 places



3-D ANGLED VIEWS



	OVERALL HEIGHT "A"	RACKING HEIGHT
SPM-2	3.92"	3.50" (2 SPACES)
SPM-4	7.42"	7.00" (4 SPACES)

POSITION	FRONT RAIL SETBACK	USEABLE DEPTH
1	0"	19"
2	1.5"	17.5"
3	3"	16"

