



Middle Atlantic Products, Inc.

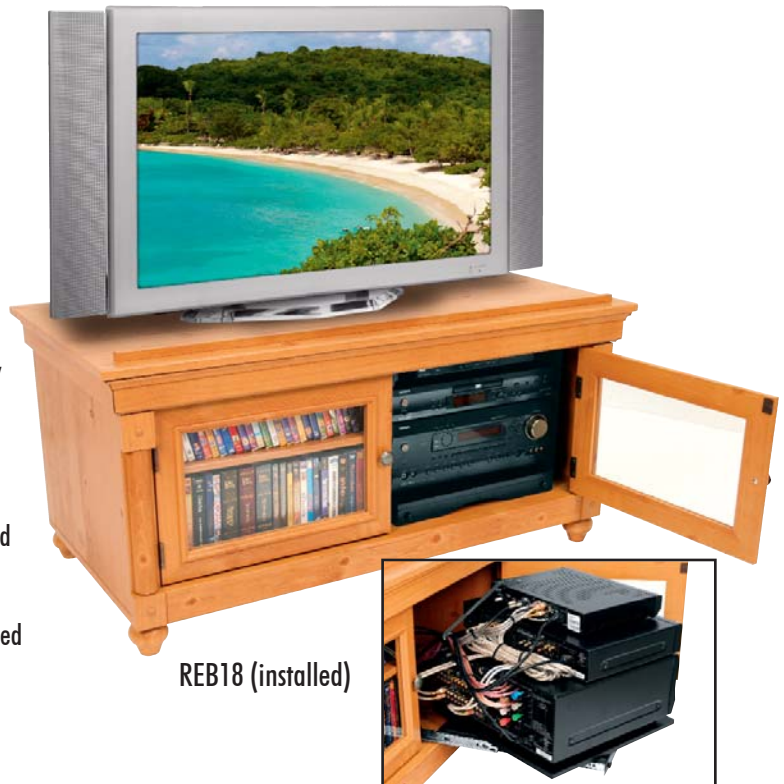
middleatlantic.com

## REB Series Rotating Sliding Base

Slide-out and rotating equipment base with included cable management accessories for smaller cabinetry and entertainment centers

### Features

- Low-profile, slide-out rotating design provides access to component connections
- Provides easy access to rear of home audio and video equipment including DVD players, satellite receivers and amplifiers
- Allows for easy adjustment of wires and cable connections
- Included cable management accessories keep wires neatly organized and easily accessible
- Included Velcro® feet keep stacked components in place
- Two depths accommodate a wide range of components and cabinets
- Attractive black finish for the shelf, low-profile base finished in a durable flat black powder coat
- Locks closed to prevent unintentional movement
- Hardware included



REB18 (installed)

### Architects' and Engineers' Specifications

Low-profile, rotating sliding base shall be Middle Atlantic Products model # REB(14,18). REB shall have overall depth of (14", 18"). Equipment base shall mount within customer-supplied cabinet or entertainment center using included hardware. Rotating shelf shall slide out and be user configured to rotate up to 60° either right or left. Shelf shall be constructed of ½" particle board with a black melamine finish. Slides shall be constructed of 16-gauge steel. Two front-mounted thumb screws shall lock unit closed to prevent unintentional movement. Product shall include Velcro® feet to hold stacked equipment and a cable management kit for bundling cables and creating an effective service loop. Additional Velcro® strip shall be used to captivate cable bundle above shelf to avoid pinching wires between the shelf and the rear cabinet wall. Rotating sliding base shall have a 75 lb. weight capacity. The REB rotating sliding base shall be warranted to be free from defects in material or workmanship under normal use and conditions for a period of three years.

customizable specification clips available at [middleatlantic.com](http://middleatlantic.com)

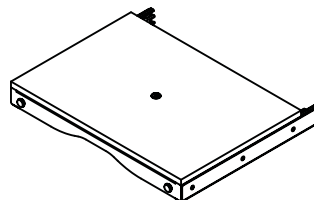
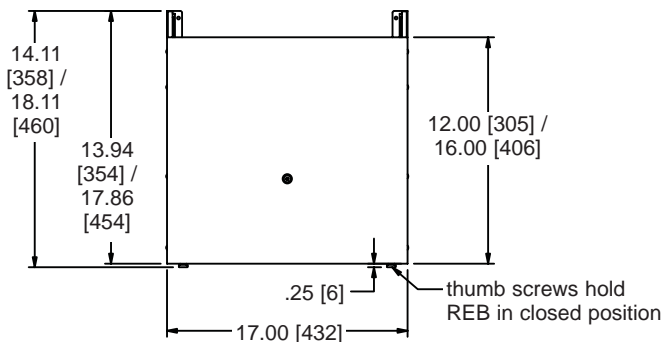
## Engineered Mounting Solutions

US: New Jersey • California • Illinois • Voice: 973-839-1011 Fax: 973-839-1976 • [middleatlantic.com](http://middleatlantic.com)  
Canada: Ontario • British Columbia • Voice: 613-836-2501 Fax: 613-836-2690 • [middleatlantic.ca](http://middleatlantic.ca)

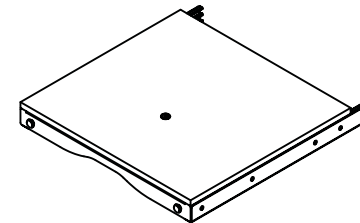
# REB basic dimensions

All dimensions in inches unless otherwise noted [All dimensions in brackets are in millimeters]  
Some dimensions given in the form of REB14 / REB18

TOP VIEW

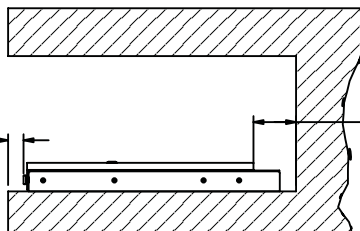


REB14

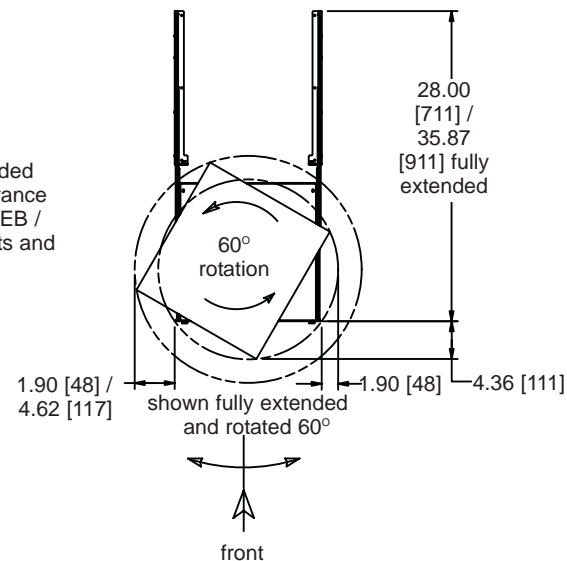
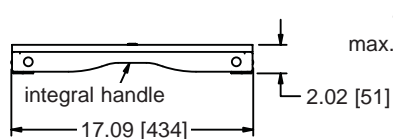


REB18

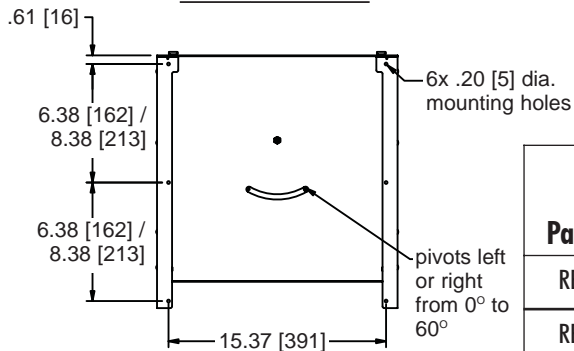
SIDE VIEW



FRONT VIEW



BOTTOM VIEW



Part #	Minimum Rough Opening Width*	Minimum Recommended Rough Opening Depth**	Weight Capacity	Useable Depth	
				With No Setback	With 1.0 [25] Setback
REB14	17.13* [435]	15.00** [381]	75 lbs. [34kg.]	13.00 [330]	12.00 [305]
REB18	17.13* [435]	19.00** [483]	75 lbs. [34kg.]	17.00 [432]	16.00 [406]

\* Rough opening width may vary due to width of components  
\*\* Rough opening depth may vary due to depth of components

