



Middle Atlantic Products, Inc.®

middleatlantic.com

FC Series Proportional Speed Thermostatic Fan Control

FC Series proportional speed thermostatic fan control keeps equipment cool while reducing maintenance requirements

Features

- Allows fans to operate at speeds proportional to temperature inside of enclosure
- Available as a stand-alone or MPR raceway mounted module (See A&E spec sheet 96-959)
- Can be turned on and off via a local switch
- Status LEDs indicate fan speed setting
- Allows control of up to 4 fans, depending on model
- Available stand-alone with two 15 amp receptacles
- Finished in a durable flat black powder coat
- UL Listed in the US and Canada

FC-2-215-1C
Stand-Alone Module



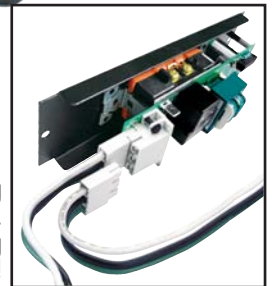
FC-4
Raceway-Mount Module



FC-4-1C
Stand-Alone Module



Interconnect modules using unique genderless connector. Quick and safe -no hard wiring required!



Architects' and Engineers' Specifications

FC-4, FC-4-1C

Thermostatic Fan Control module shall be Middle Atlantic Products model # (FC-4, FC-4-1C). Module shall mount ____ (within MPR raceway, stand-alone using integral mounting flanges). Module shall be constructed of 18-gauge steel with durable flat black powder coat finish. Power input shall be 120VAC - 60HZ. Power output shall consist of four NEMA 1-15R (2 prong) outlets, 30 to 129 VAC at 1 amp, to control up to four fans. FC-4 switch settings shall be Off (fan control module is off), On (fan is on full-speed) or Auto (thermostatic controls fan speed, proportional to temperature) and shall be indicated by status LEDs. Module shall be protected by user serviceable 2 amp fuse. Three-position pluggable jumper shall be provided to shift positions of temperature control range. Fan control module shall have a user definable temperature range (80°F to 90°F, 85°F to 95°F, 90°F to 100°F). Module shall be factory-set to 85°F to 95°F range. Probe with 5 ft. wire shall be provided for temperature sensing. FC-4 shall be manufactured for indoor use in dry locations only. Module shall be UL Listed in the US and Canada. Module shall be warrantied to be free from defects in material or workmanship under normal use and conditions for a period of three years.

FC-2-215-1C

Stand-alone Thermostatic Fan Control module with two 15 amp outlets shall be Middle Atlantic Products model # FC-2-215-1C. Module shall be constructed of 18-gauge steel with a durable flat black powder coat finish. Power input shall be 120VAC - 60HZ. Power output shall consist of two NEMA 1-15R (2 prong) outlets, 30 to 129 VAC at 1 amp, to control up to two fans. Optional FANCORD-2X1 accessories shall allow control of up to four fans when operating at less than 1 amp. Output shall also consist of two NEMA 5-15R (3 prong) outlets, always on. FC-2-215-1C switch settings shall be Off (fan control module is off), On (fan is on full-speed) or Auto (thermostatic fan controls fan speed, proportional to temperature) and shall be indicated by status LEDs. Module shall be protected by user serviceable 15 amp circuit breaker, fans shall additionally be protected by a 2 amp fuse. Three-position pluggable jumper shall be provided to shift positions of temperature control range. Fan control module shall have a user definable temperature range (80°F to 90°F, 85°F to 95°F, 90°F to 100°F). Module shall be factory-set to 85°F to 95°F range. Probe with 5 ft. wire shall be provided for temperature sensing. FC-2-215-1C shall be manufactured for indoor use in dry locations only. Module shall be UL Listed in the US and Canada. Module shall be warrantied to be free from defects in material or workmanship under normal use and conditions for a period of three years.

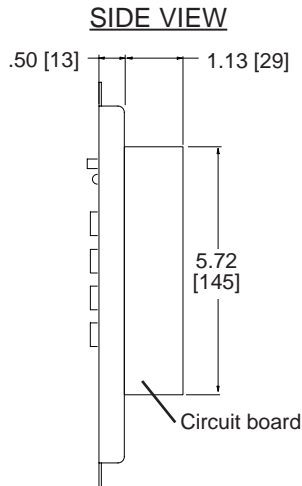
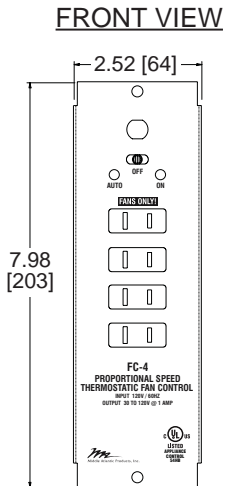
customizable specification clips available at middleatlantic.com

Engineered Mounting Solutions

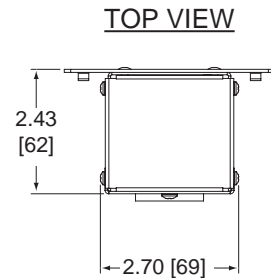
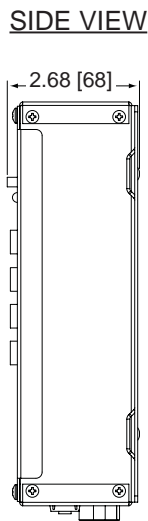
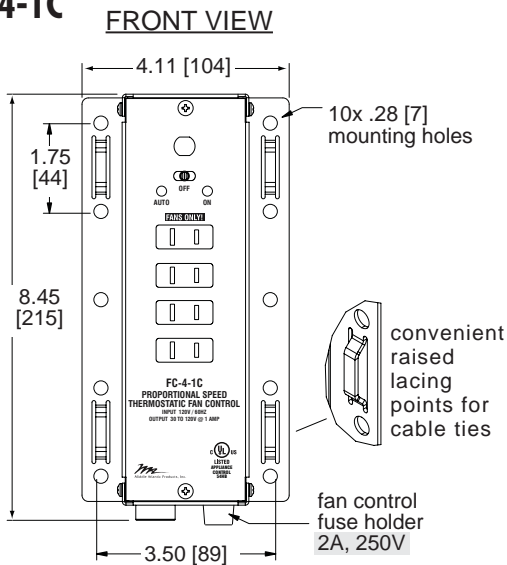
US: New Jersey • California • Illinois • Voice: 973-839-1011 Fax: 973-839-1976 • middleatlantic.com
Canada: Ontario • British Columbia • Voice: 613-836-2501 Fax: 613-836-2690 • middleatlantic.ca

FC Series Thermostatic Fan Control basic dimensions

FC-4



FC-4-1C



FC-2-215-1C

