



Middle Atlantic Products, Inc.®

middleatlantic.com

DRK Series 19" Panel Width Cable Management Enclosure

EIA/TIA Compliant

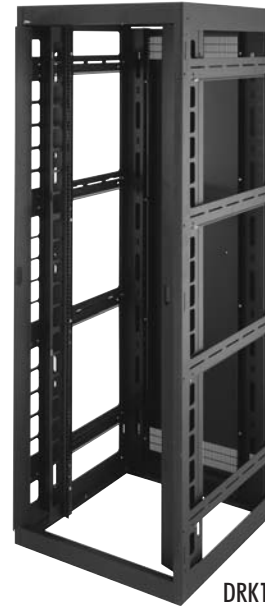
SEISMIC CERTIFIED

C(UL) US LISTED

Extra wide multi-bay design contains integral cable ducts ideal for accommodating large cable bundles

Features

- Fully welded construction provides a 2,500 lb. weight capacity
- 1/8" thick structural steel internal braces
- 30" OD width, 31-1/2", 36" and 42" OD depths available
- Includes 100 qty. rack screws
- 4 Grounding and bonding studs installed in base and top
- 1/2", 3/4", 1" & 1-1/2" electrical knockouts on split rear plates (top & bottom), easily removable for cable pass-through, top plates additionally include UHF/VHF knockouts
- 2 pairs of wide 11-gauge rackrail labeled with EIA standard rackspace increments available 10-32 threaded or cage-nut style
- Vented rear door standard
- 23" panel width version available
- One pair of cable ducts with solid steel hinged doors and 4-point magnetic closure pre-installed in front
- Seismic Certified (when used with MRK-Z4 option) with an Ip value of 1.5
- Durable black textured powder coat finish
- UL Listed in the US and Canada



DRK19-44-31

Enclosure Accessories

CONFIGURABLE TOPS
COOLING FANS
COPPER BUSS BAR
CRATING SERVICE
DOCUMENT POCKET
DOOR LATCH
GANGING HARDWARE
LEVELING FEET
REMOVABLE SIDE PANELS
WRINKLE TOUCH-UP PAINT
for details- see Master Catalog
or visit middleatlantic.com

Architects' and Engineers' Specifications

EIA compliant 19" panel width equipment enclosure shall be Middle Atlantic Products model # DRK19-44- (31, 31PRO, 31K, 36, 36PRO, 42). Overall dimensions of enclosure shall be 83-1/2"H x 30"W x (31-1/2", 36", 42")D. Useable height shall be 44 rackspaces, useable depth shall be (24-1/4", 28-3/4", 34-3/4"). Fully welded construction shall provide a 2,500 lb. weight capacity. Enclosure shall be constructed of the following materials: top and bottom shall be 14-gauge steel, horizontal braces shall be 1/8" thick steel, all structural elements shall be finished in durable black powder coat. Enclosure shall come equipped with 10" fan top and fan guard for ventilation, one pair of cable ducts with steel doors pre-installed in front of rack, two pairs of 11-gauge steel rackrail with (tapped 10-32, 6mm cage nut) mounting holes in universal EIA spacing, finished in black e-coat with numbered rackspaces, and vented rear door. Rack shall have a removable rear knockout panel with 1/2", 3/4", 1", and 1-1/2" electrical knockouts installed in base, and removable split rear knockout panels with electrical knockouts and BNC knockouts for UHF/VHF antennae installed in top. Grounding and bonding studs shall be zinc plated 1/4-20x1 threaded, installed two each in base and top of enclosure (DRK19-44-31K shall additionally include plexiglass front door, one pair lockable side panels, and leveling feet). DRK Series enclosures shall satisfy the 1997 UBC and 1998 CBC Seismic Zone 4 and the 2000 IBC, 2003 IBC, 2002 ASCE Standard 7 and 2003 NFPA 5000 Seismic Use Group III lateral force requirements for protecting 750 lbs. of essential equipment in upper floor installations when used in conjunction with the MRK-Z4 seismic floor anchor brackets with an Ip value of 1.5. Rack shall be UL Listed in the US and Canada. Rack enclosure shall be warranted to be free from defects in material or workmanship under normal use and conditions for the lifetime of the rack.

OPTIONS

- Front doors shall be model # DPVFD-44 (vented plexi), model # DPDFD-44 (plexi), model # DVFD-44 (vented)
- Split rear door, vented with 76% open area shall be model # DCLVRD-44
- Additional rail kit, 11-gauge, 10-32 threaded, with EIA numbered spacing shall be model # DRK19-RR44
- Additional rail kit, 11-gauge, cage-nut style, with EIA numbered spacing shall be model # DRK19-RR44PRO
- Caster base shall be model # CBS-DRK-31 (31-1/2" overall depth), CBS-DRK-36 (36" overall depth)
- Pair of keylocked side panels shall be model # SPN-44-312 (31-1/2" overall depth), SPN-44-36 (36" overall depth), SPN-44-423 (42" overall depth)
- Optional 10" ventilation fan shall be model # FAN-10
- Top panels shall be 16-gauge steel, multiple styles available including model # MW-ST (solid), MW-4FT (four 4-1/2" fans), MW-6FT (three 6" fans), MW-VT (vented) and MW-LA (accepts 6" and 12" cable ladders)
- Additional cable duct shall be model # DRK-44DUCT, sold individually
- Rail bracket adapters shall allow for mounting of blank or other panels vertically between rackrail brackets. Available for 44 space enclosures and be model # RBA-MV44-X (X = 1, 2 or 3 rackspaces)
- Seismic compliancy floor anchor brackets shall be model # MRK-Z4

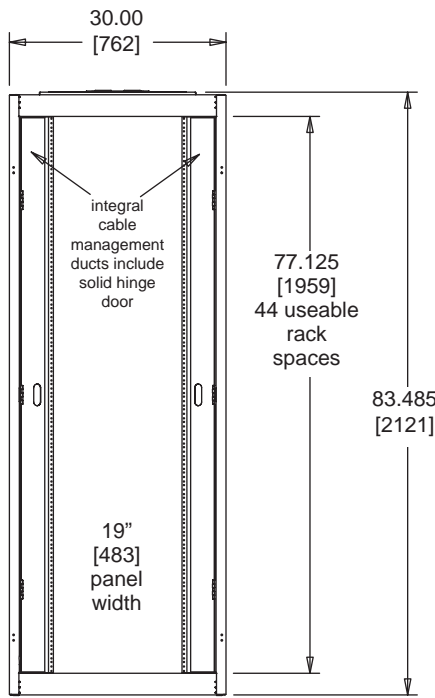
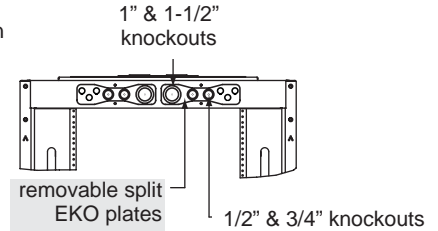
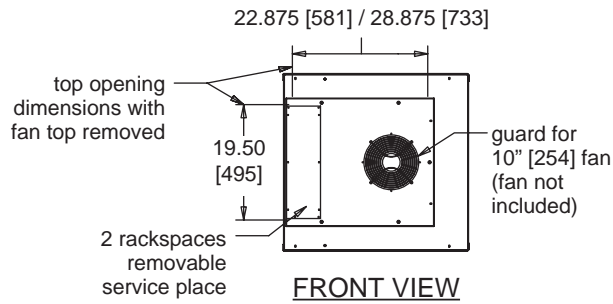
customizable specification clips available at middleatlantic.com

Engineered Mounting Solutions

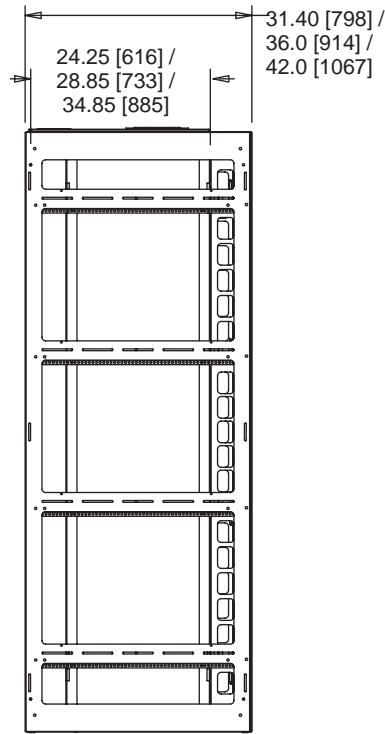
US: New Jersey ▪ California ▪ Illinois ▪ Voice: 973-839-1011 Fax: 973-839-1976 ▪ middleatlantic.com
Canada: Ontario ▪ British Columbia ▪ Voice: 613-836-2501 Fax: 613-836-2690 ▪ middleatlantic.ca

DRK Series 19" panel width basic dimensions

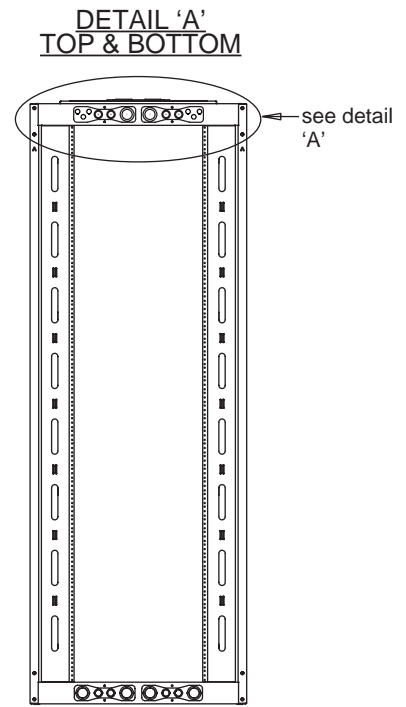
All dimensions in inches unless otherwise noted [All dimensions in brackets are in millimeters]



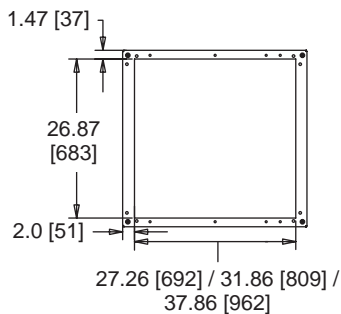
FRONT VIEW



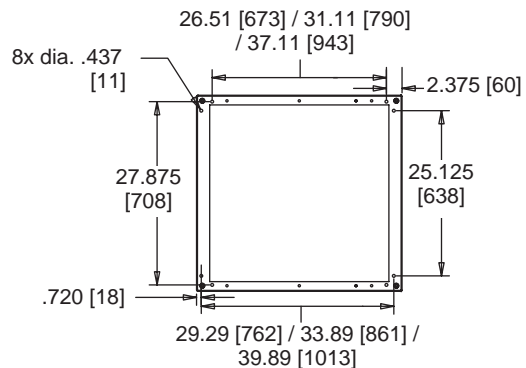
SIDE VIEW



REAR VIEW



BOTTOM VIEW



FLOOR MOUNTING LOCATIONS

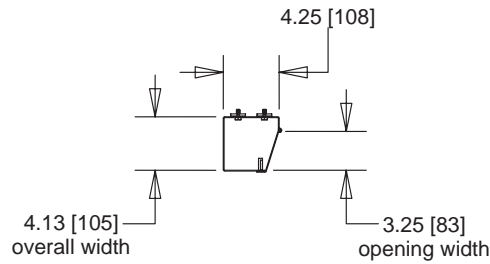


DRK-44DUCT basic dimensions



All dimensions in inches unless otherwise noted [All dimensions in brackets are in millimeters]

TOP VIEW



REAR VIEW



opening 8x
.875 [22] x
4.875 [129]

SIDE VIEW

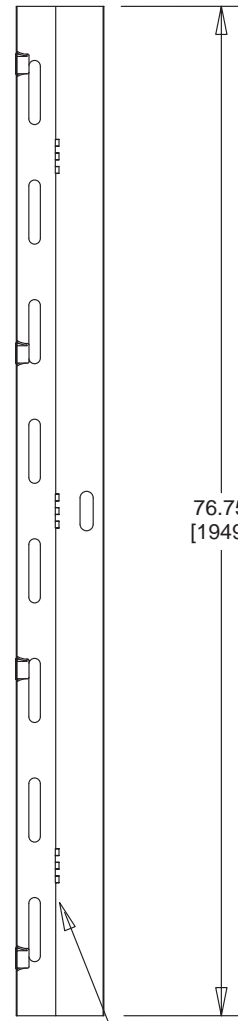


opening 2.25 [57]
x 3.0 [76]
(21x inside, 17x
outside)

IMPORTANT DIMENSIONAL NOTES:

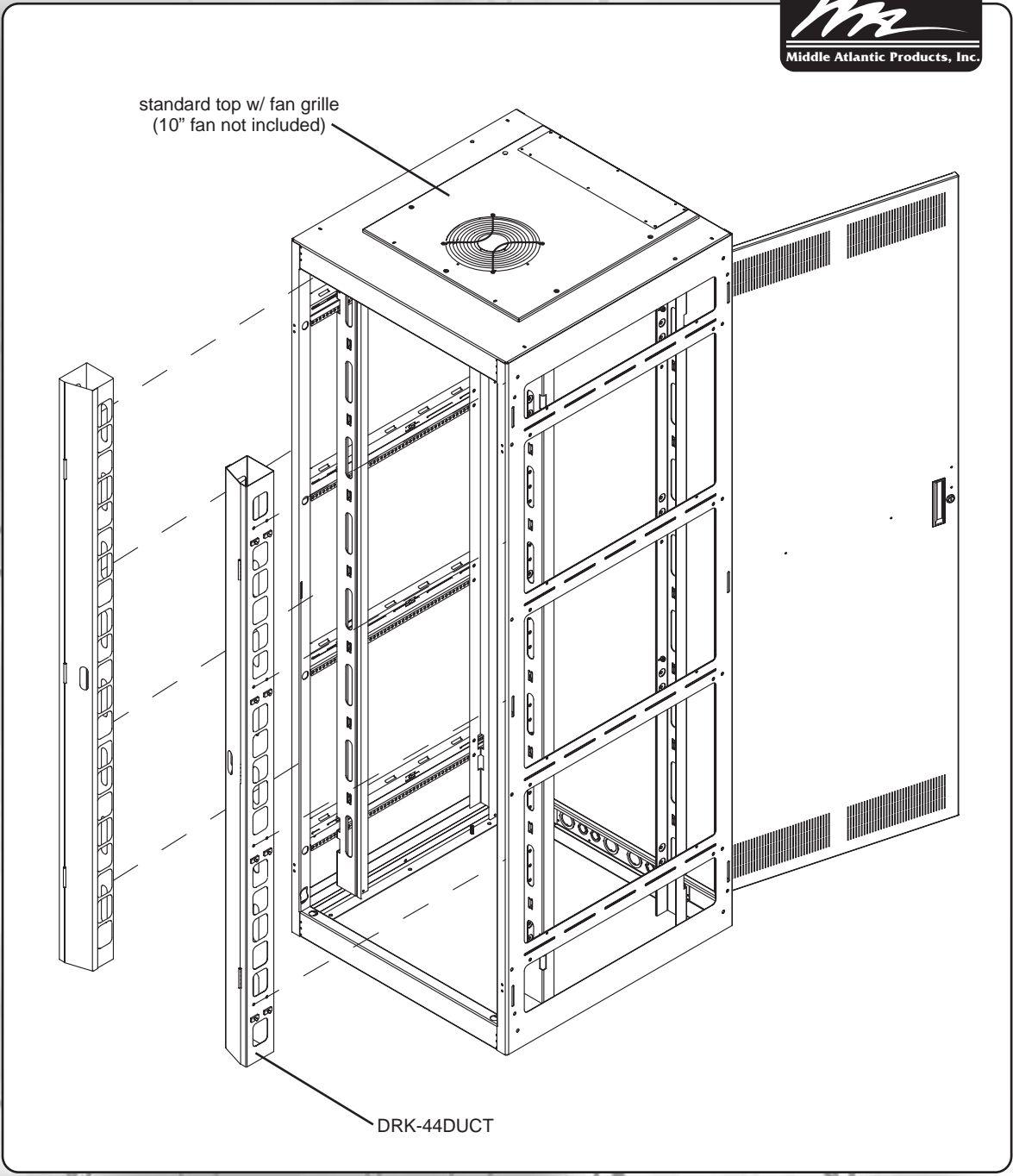
- SPN-44-312, SPN-44-36 and SPN-44-423 side panels add .625" [16] per side of overall width
- CBS-DRK-31 and CBS-DRK-36 caster bases add .75" [19] to overall height
- Front door adds .92" [23] to overall depth
- Removal of top fan panel reduces height by [10]

FRONT VIEW



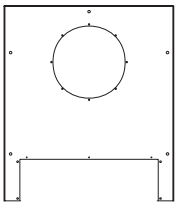
76.75
[1949]

solid hinged
door with 4
point magnetic
latch

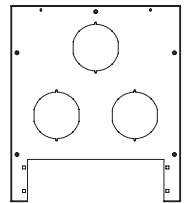


Top options (removable plate opening accommodates 2 space panel)

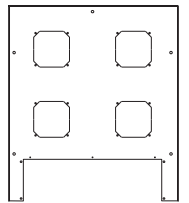
accommodates 12" and 6" width cable ladders



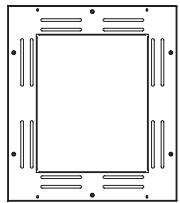
MW-10FT accepts 10" fan
MW-10FT-550CFM includes 10" fan
MW-10FT-FC includes 10" fan and fan controller



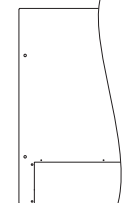
MW-6FT accepts 6" fans
MW-6FT-660CFM includes 6" fans



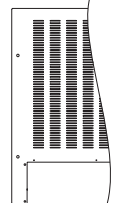
MW-4FT accepts 4-1/2" fans
MW-4FT-380CFM includes 4-1/2" fans
MW-4QFT-FC includes 4-1/2" quiet fans and fan controller



MW-LA accepts 6", 9" and 12" width cable ladder



MW-ST solid vent



MW-VT solid vent



MW-LVT large perf vent