



Middle Atlantic Products, Inc.

middleatlantic.com

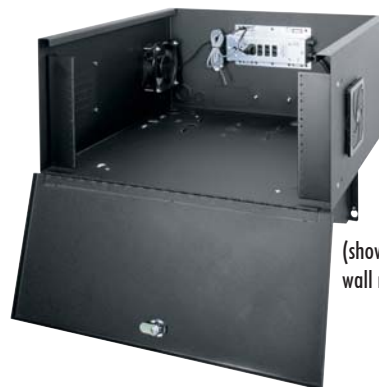
96-01008 / rev 2 / 8-30-05

DLBX Series DVR Lockbox

DLBX Series DVR Lockbox protects the evidence while ensuring components have the necessary thermal and cable management

Features

- Optimized to handle the active or passive thermal management needs of digital video recorders and other digital equipment
- Extensive cable management includes tie points, EKO's and cable pass-throughs
- Mounts vertically or horizontally to the wall, also can be used as a monitoring shelf
- Configurable thermal management system includes fan and two filters, and can be set up to accommodate the needs of any DVR
- Optional proportional speed thermostatic fan control ensures fan only runs when needed, reducing maintenance requirements and noise
- Mechanically interlocking top provides added security yet removes easily for equipment servicing
- Standard keylocked solid hinging front door allows easy equipment access
- 100 lb. weight capacity



(shown with cover removed, optional wall mount brackets and rackrail kit)



(shown mounted horizontally to the wall)

Architects' and Engineers' Specifications

EIA compliant 19" DVR lockbox shall be Middle Atlantic Products model # DLBX. Overall dimensions shall be 23.87" W x 11.34" H x 28.24" D. Lockbox shall be constructed of fully welded 16-gauge steel. Mechanically interlocking top provides added security and removes easily for equipment servicing. Shall come with 4-1/2" fan with washable filter, 2 removable filters, and fan cover plate for effective thermal management. Rack shall have 1/2", 3/4" 1" and 1-1/2" electrical knockouts and 2" x 4" laser knockouts for cable pass through on back, bottom, and sides. Comes equipped with factory installed keylocked solid hinging front door for easy equipment access.

OPTIONS

- Pair of wall mount brackets shall be Middle Atlantic Products model # DLBX-WM
- Rackrail shall be 11-gauge, 10-32 threaded, sold in pairs, Middle Atlantic Products model # DLBX-RR5 (5 space)
- Proportional speed thermostatic fan controller shall be Middle Atlantic Products model # FC-4-1C

electronic version available at middleatlantic.com

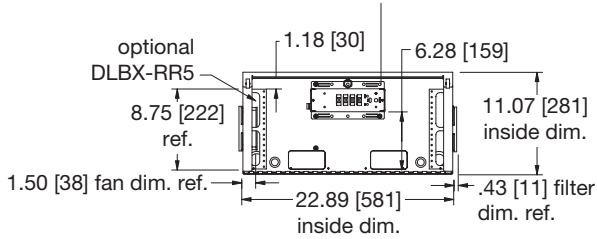
Engineered Mounting Solutions

US: New Jersey • California • Illinois • Voice: 973-839-1011 Fax: 973-839-1976 • middleatlantic.com
Canada: Ontario • British Columbia • Voice: 613-836-2501 Fax: 613-836-2690 • middleatlantic.ca

96-01008 / rev 2 / 8-30-05 / DLBX Series Wall Mount Rack

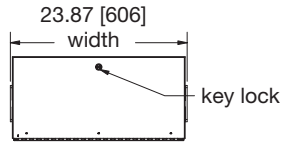
DLBX basic dimensions

optional FC-4-1C proportional speed
thermostatic fan control

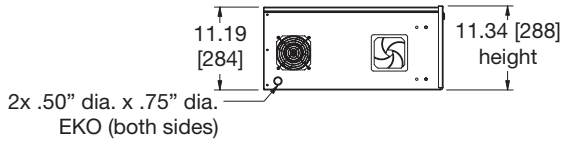


FRONT VIEW

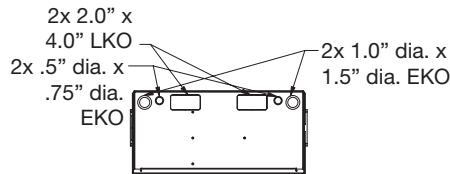
(front face removed for clarity)



FRONT VIEW



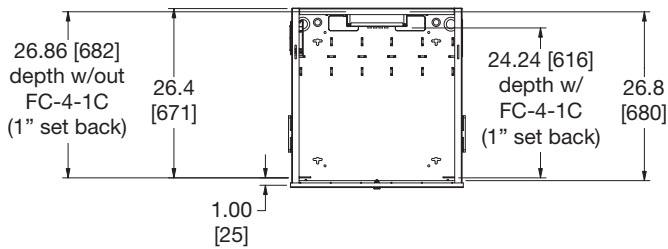
LEFT SIDE VIEW



REAR VIEW

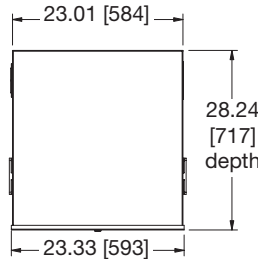


RIGHT SIDE VIEW

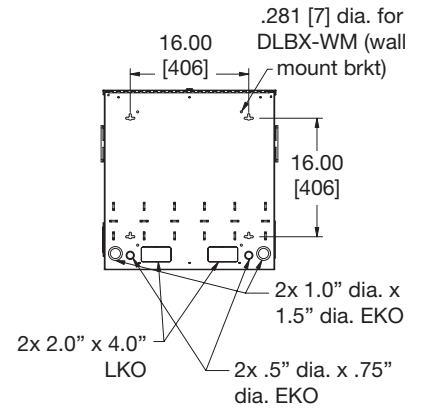


TOP VIEW

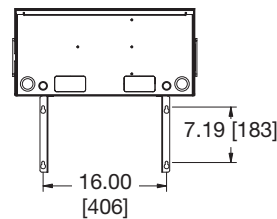
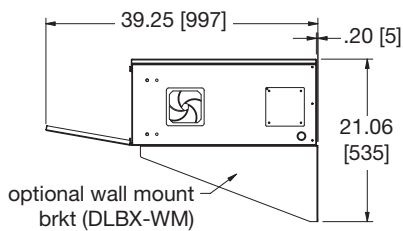
(top removed for clarity)



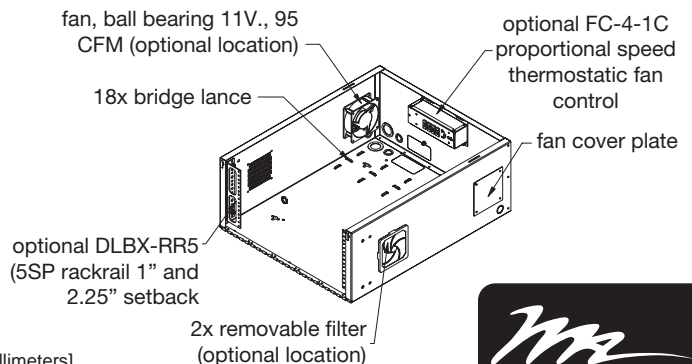
TOP VIEW



BOTTOM VIEW



	HEIGHT	WIDTH	DEPTH
OVERALL	11.34 [288]	23.87 [606]	28.24 [717]
INTERIOR	11.07 [281]	22.88 [581]	26.75 [680]



All dimensions in inches unless otherwise noted [All dimensions in brackets are in millimeters]

