



WF405ATPASU

4.0 cu. ft. SpeedSpray & PowerFoam™ Front Load Washer

Features

- 4.0 cu. ft. Capacity*
- VRT™ – Quiet Operation, Perfect for 2nd Floor Installation
- PowerFoam™ – Efficient, Deep Clean
- SpeedSpray
- Steam Washing
- Diamond Drum™ – For Gentler Washing
- PureCycle™ – A Washer that Cleans Itself
- Direct Drive Motor
- 1200 RPM Maximum Spin Speed
- Internal Water Heater
- 15 Preset Wash Cycles
- 9 Options
- eco Cold Wash

Convenience

- Add A Garment Option
- Child Lock
- End-Of-Cycle Signal (On / Off)
- Delay Start – Up to 24 Hours
- Automatic Dispensers: Pre Wash, Main Wash, Bleach, Fabric Softener
- Optional Pedestals or Stacking Kit Available

Energy Star Rated:

Rated CEE Tier 3: Most Efficient
MEF=3.35
WF=2.9
93 kWh / year



Ranked **“Highest in Customer Satisfaction with Clothes Washers”** by J.D. Power and Associates.**



(Shown with optional pedestal)



15 Cycles



9 Options

Signature Features

Available Colors



Note: All models with Bright Chrome Trim

PowerFoam™ Foam you can see, clean you can feel

Exclusive PowerFoam™ Technology creates a powerful, yet gentle foam that's ideal for washing large loads and bulky items.

SpeedSpray

A cleansing jet shoots water and detergent, and a rinsing jet shoots clean water rapidly, reducing washing time – by up to 15 minutes.

Smart Care

Instant troubleshooting for your washer. Perform quick diagnosis and get access to troubleshooting solutions on your smartphone***.

** Samsung received the highest numerical score for clothes washers (2009-2010) and dryers (2008-2010) in the proprietary J.D. Power and Associates Laundry Appliance Studies™. 2010 study based on 10,344 total responses measuring 17 brands and measures opinions of consumers who purchased their washer or dryer from a retail store or their new-home builder during the previous 24 months. Proprietary study results are based on experiences and perceptions of consumers surveyed in March-April 2010. Your experiences may vary. Visit jdpower.com.

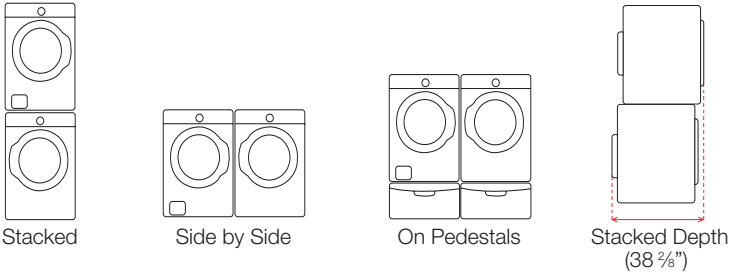
*** Available for iPhone 4/4S and Galaxy S1/S2.



WF405ATPASU

4.0 cu. ft. VRT™ Steam & PowerFoam™ Front Load Washer

Installation Options:



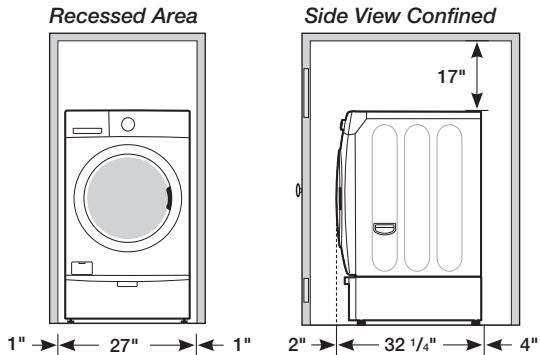
Installing your washer

1. Alcove or closet installation

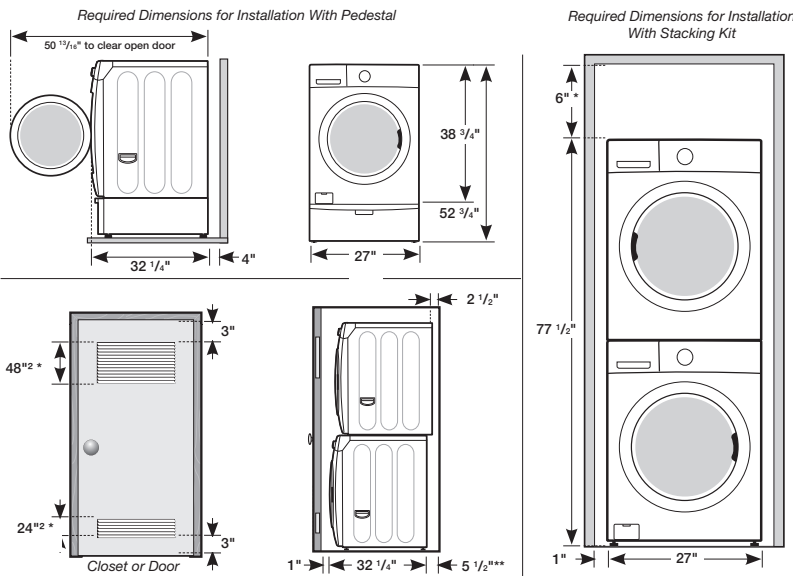
Minimum clearances for closets and alcove:

- Sides - 1 in. (2.5 cm)
- Top - 17 in. (43.2 cm)
- Rear - 4 in. (10.2 cm)
- Closet Front - 2 in. (5.1 cm)

If the washer and dryer are installed together, the closet front must have at least a 72 in² (465cm²) unobstructed air opening. Your washer alone does not require a specific air opening.



2. With optional pedestal base or stacking kit



* Required spacing ** External exhaust elbow requires additional space.

Fabric Care

15 Preset Wash Cycles (all cycles use PowerFoam™ technology with the exception of Rinse and Spin)

Normal, Heavy Duty, Permanent Press, Sanitize, Deep Steam, Stain Away, eco Cold, BeddingPlus, Wool, PureCycle, Active Wear, Delicates/Handwash, Quick Wash, Rinse and Spin, Spin Only

9 Options

Steam, Delay Start-Up to 24 Hours, My Cycle, Pre Wash, Extra Rinse, Extended Spin, Smart Care, Garment+, Child Lock

5 Temperature Settings

Extra Hot / Cold, Hot / Cold, Eco Warm / Cold, Warm / Cold, Cold / Cold

5 Spin Speeds

Extra High, High, Medium, Low, No Spin

5 Soil Levels

Heavy, ▲, Normal, ▼, Light

5 Signal Sound Levels:

Louder, ▲, Soft, ▼, Off

Accessories:

- Stacking Kit: SK-5A
- Pedestal: WE357A0P, WE357A0W

Warranty

- One (1) Year All Parts and Labor
- Two (2) Years Control Board
- Three (3) Years Stainless Steel Tub
- Ten (10) Years Motor

Product Dimensions + Weight

Dimensions: (WxHxD) 27" x 38 3/4" x 32 1/4"
Weight: 193.8 lbs / 88 kg

Shipping Dimensions + Weight

Dimensions: (WxHxD) 29 5/8" x 41 1/4" x 33 1/4"
Weight: 202.6 lbs / 92 kg

Color	Model #	UPC Code
Neat White	WF405ATPAWR	036725590496
Platinum	WF405ATPASU	036725590489

Matching Dryer (Electric/Gas)

Neat White	DV405ETPAWR	036725570658
Neat White	DV405GTPAWR	036725570641
Platinum	DV405ETPASU	036725590533
Platinum	DV405GTPASU	036725590540

*4.29 cu. ft. measured as per Department of Energy
Actual color may vary. Design, specifications, and color availability are subject to change without notice. Non-metric weights and measurements are approximate.
©2012 Samsung Electronics America, Inc. 85 Challenger Road Ridgefield Park, NJ 07660. Tel: 800-SAMSUNG www.samsung.com. Samsung is a registered trademark of Samsung Electronics Co. Ltd.