



# NE595N0PBSR

## 5.9 cu. ft. Freestanding Induction Range with True Convection

### Features

- Full Induction Cooktop
- True Convection (one fan)
- Large Oven Capacity – 5.9 cu. ft.
- SteamQuick™ (20 min. Oven Cleaning) and Self Clean
- Four Preset Menu Cook Options
- Boil Alert
- Storage Drawer

### Convenience

- Hot Surface Indicator Light
- Auto Oven Light (2)
- Proofing
- Sabbath Mode
- Kitchen Timer
- Delay Start
- Child Safety Lock
- Self-Clean (2 / 3 / 4 hrs.)
- 4 Easy Cook Pre-Sets
- Custom Cook
- Defrost
- 3 Chrome Oven Racks



Easy to use cook top and oven, with a 1.4 cu. ft. Storage Drawer



Four induction heating elements that give more power, control and efficiency than electric and gas cooktops.



Generous 5.9 cu. ft cavity has more flexibility with a divider.

### Signature Features

#### Available Colors



Stainless Steel (shown)

#### Boil Alert

Our convenient Boiling Sensor alerts you when water boils and automatically reduces heat to a preset heat level.

#### Full Induction Cooktop

Induction cooking focuses the most heat directly to the pot so that you can boil and cook faster, plus simmer with more control\*. Induction cooking uses heat more efficiently as compared to electric and gas.

#### True Convection

Fan system is great for baking and broiling because heat is distributed thoroughly and food cooks evenly. Enjoy tastier results each time.

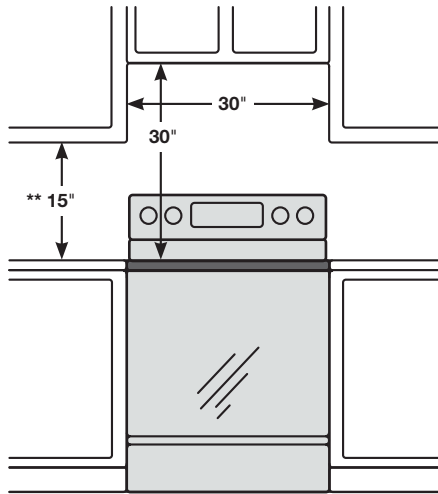
# NE595N0PBSR

5.9 cu. ft. Freestanding Induction Range with True Convection

## Installing your Range

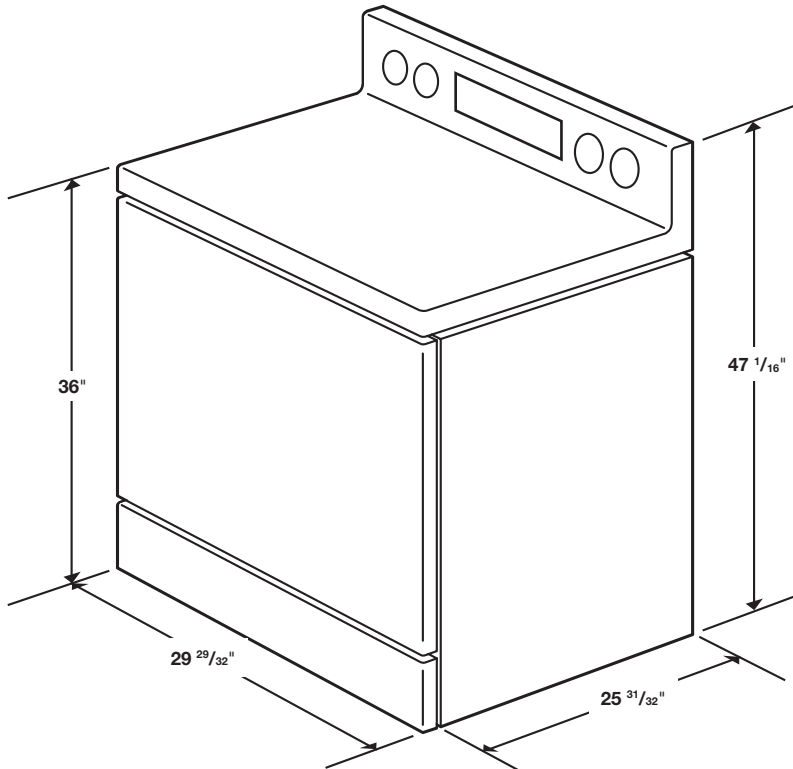
\* 30" minimum clearance between the top of the cooking surface and the bottom of an unprotected wood or metal cabinet; or 24" minimum when the bottom of the wood or metal cabinet is protected by not less than 1/4" flame retardant millboard covered with not less than no.28 MSG sheet steel, 0.015" stainless steel, 0.024" aluminum or 0.020" copper.

\*\* 15" minimum between the countertop and the adjacent cabinet bottom.



**IMPORTANT:** To eliminate the risk of burns or fire caused by reaching over heated surface units, cabinet storage space located above the surface units should be avoided. If cabinet storage is to be provided, the risk can be reduced by installing a range hood that projects horizontally a minimum of 5" beyond the bottom of the cabinets.

## Dimensions



### Power Source

240 V / 60 Hz

### Induction/Radiant Ceramic Cooktop

- Induction 9", 3.0 KW – Boost
- Induction 7", 2.3 KW – Boost
- Induction 11", 3.4 KW – Boost
- Induction 7", 2.3 KW – Boost

### Oven

- Hidden Bake Element: 3000 W
- Convection Bake: 150°F - 550°F
- Convection Roast: 150°F - 550°F
- Broil Element: 3800 W
- Convection Element/Heater: 800 W
- Broil: Low / Hi (375°F / 450°F)
- Proofing
- Sabbath Mode

### Warranty

One (1) Year All Parts and Labor  
Five (5) Years Electric Cooktop

### Product Dimensions + Weight

#### Actual Oven Dimensions

(WxHxD) 25" x 20 25/32" x 18 15/16"

#### Outside Net Dimensions:

(WxHxD) 29 29/32" x 47 1/16" x 25 31/32"

**Weight:** 187 lbs / 84.8 kg

### Shipping Dimensions + Weight

**Dimensions:** (WxHxD) 32 7/8" x 50 13/32" x 30 1/8"

**Weight:** 212 lbs / 96.2 kg

### Color

Stainless Steel

### Model #

NE597N0PBSR

### UPC Code

036725570771