

# Lenox Locker – Solid Plastic

## Model LENOXLOCKER

- Tough, attractive solid plastic never needs painting, resists dents and scratches
- Impervious to moisture - lockers will not rust or delaminate
- Durable, vandal resistant all-welded construction
- Wide range of sizes, tiers, colors and options
- ADA compliant handle operation
- 20 year warranty against rust, delamination or breakage under normal use\*
- Lockers ship fully assembled
- US Patent Numbers 6,793,299 – 6,685,285 – 6,792,661
- Other Patents Pending

### Construction - Standard Features

#### Sizes

Standard Sizes:	12", 15", 18"	Wide
	12", 15", 18"	Deep
* Nominal	24"* , 36"* , 48"* , 60" , 72"	Tall
	Tiers	See Table.

Tiers	Actual Locker Height				
	24-11/16"	36-1/2"	48-11/32"	60"	72"
1	X	X	X	X	X
2	X	X	X	X	X
3		X	X	X	X
4			X	X	X
5				X	X
6					X

#### Doors and Frames

Constructed of 1/2" thick High Density Polyethylene (HDPE) with homogeneous color and a matte finish texture. Dirt or graffiti are easily removed with standard industrial cleaners. Frames are welded to locker box to provide a secure, rigid assembly. Doors have ventilation slots.

#### Sides, Tops, Bottoms, Dividers and Shelves

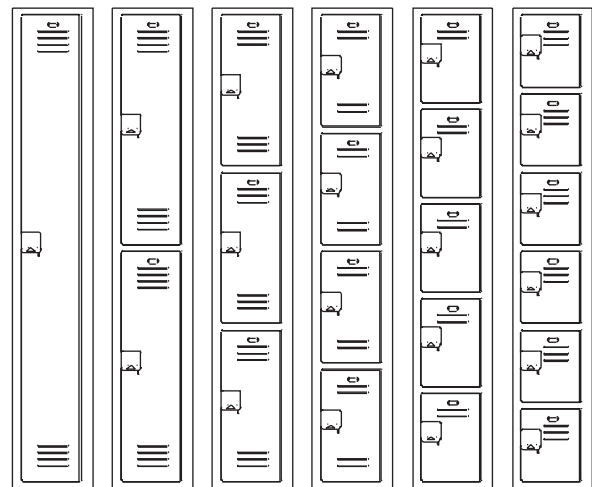
Constructed of 3/8" thick white HDPE with a smooth finish. Sides and back of box are formed from a single sheet of HDPE with fused corners, Patent Pending design. Top and bottom are welded to frame without metal fasteners or dove-tail joints. Shelves, provided in one-tier lockers only, are slid into corresponding grooves in sides and back. Shelves are located 12" from locker top.

#### Latch Bar

Full length latch bar is constructed of 1/2" thick High Density Polyethylene (HDPE) with a matte finish texture. Runs entire length of door, providing a continuous security latching system. Latch lifts up to open, and returns to closed position after door is closed. Latch bar is secured to locker door with stainless steel security torx-head shoulder screws.

\*\* Normal use further defined as lockers installed in a climate-controlled environment, away from direct sunlight.

Document No. 9825



#### Hinge

Heavy duty, full-length piano hinge is constructed of 16-gauge, type 304 stainless steel. Hinge wraps around two edges of the door and the frame and is secured with stainless steel security torx-head screws. Hinge is powdercoated to match locker color and is field replaceable.

#### Handle

Constructed of injection molded plastic. Ergonomically designed handle is ADA compliant - operates with less than 5 lbs. of force. Handle is secured through latch bar to door with stainless steel security torx-head screws.

#### Hasp

Constructed of 12 gauge stainless steel. Accepts standard padlocks with 9/32" diameter (nominal). (Long shackle padlocks should not be used). Secured to door behind latch bar with stainless steel screws.

#### Coat Hook

Double hook constructed of black polycarbonate. Furnished in one and two tier lockers only. Hook hangs centered under shelves in one-tier and under locker top in two-tier lockers. Secured to shelves and tops with stainless steel screws.

### Construction - Optional Features

#### Slope Top – Model LENOXSLOPETOP

Constructed of a 1" thick HDPE backplate (color may vary) and a 1/2" thick colored HDPE slope top panel. Provides a finished look and prevents accumulation of dust and storage of items on top of lockers. Back plate secures to wall first, then panel is secured through the locker top from the inside - no exposed fasteners. Standard slope is 10°. Available in single locker size or in 24", 30", 36", 45" and 72" lengths.



# Lenox Locker – Solid Plastic

## Model LENOXLOCKER

### Construction - Optional Features (cont.)

#### Flat Top – Model LENOXFLATTOP

Constructed of 1/2" thick HDPE with homogeneous color and a matte finish texture. Provides a finished look on top of lockers. Available in single locker size or in 24", 30", 36", 45", 54" and 72" lengths.

#### Base – Model LENOXBASE

Constructed of 1" thick HDPE with homogeneous color and a matte finish texture. Base is 3" tall and set back 3" from locker front to provide toe clearance. Notched end caps provide ease of installation. Installation hardware, including screws, anchors, L-brackets and mending plates are included.

#### Number Plates

Constructed of black aluminum with silver numbers. Number plates are secured with grooved rivets into a recessed pocket cut into the door. Plates must be fastened to lockers on the job by installer.

#### End Panels – Model LENOXENDPANEL

Constructed of 3/8" thick HDPE with homogeneous color and a matte finish texture. End panels cover white locker sides on exposed ends and are available in flat or slope top styles and in single or double (back-to-back) configurations.

#### Mesh Doors

Standard locker doors are machined with cross-hatch pattern to provide ventilation for locker contents.

#### Key Lock

Standard hasp is replaced with Master Lock key lock. All locks are master keyed and include two user keys for each lock. Key can only be removed from lock in locked position. Master keys ordered separately.

#### Combination Lock

Standard hasp is replaced with Master Lock combination lock. All locks are keyed to one master key (included) and come pre-programmed with 5 separate combinations. Master keys ordered separately.

#### Card Lock

Standard hasp is replaced with Safe-O-Mat card lock located inside the locker door. User inserts card to secure locker with key. When locker door is opened with key, card is released. Number tags for keys are not included. Master keys, extra cylinders, identification cards, and card punch ordered separately.

#### Coin Return Lock

Standard hasp is replaced with Safe-O-Mat coin lock located inside the locker door. Locks are available in 25¢ or token denominations. User inserts coin to secure locker with key. When locker door is opened with key, coin is returned. Number tags for keys are not included. Tokens, master keys and extra cylinders ordered separately.

#### Coin Retain Lock

Standard hasp is replaced with Safe-O-Mat model coin lock located inside the locker door. Locks are available in 25¢, 50¢, one token or two token denominations. User inserts coin to secure locker with key. When locker door is opened with key, coin is retained in collection box secured with a master key. Number tags for keys are not included. Tokens, master keys and extra cylinders ordered separately.

#### Keypad Lock

Standard hasp is replaced with a Safe-O-Mat model keypad lock located on the front of the locker door. User enters PIN on keypad and turns bolt knob to locked position to secure locker. Same PIN is entered to open locker.

#### Wall Hooks

Constructed of black powdercoated cast aluminum. 1-3 hooks can be secured to each tier with this option. (Please specify location)

#### Coat Rod

Constructed of schedule 40 PVC-1120. Rod is mounted with plastic pole sockets and stainless steel screws.

#### Fillers - Model LENOXFILLER

Constructed of 1/2" thick HDPE secured to 3/8" thick HDPE angle bracket. Filler is attached through the inside of an end or corner locker to fill gaps between lockers and a wall or another locker in a corner. Available in colors to match lockers 60" or 72" tall, 6", 12", 15" and 18" wide.

#### Logos

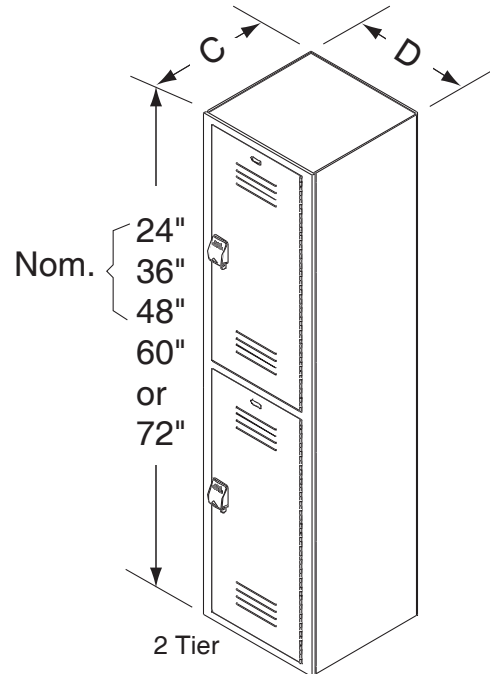
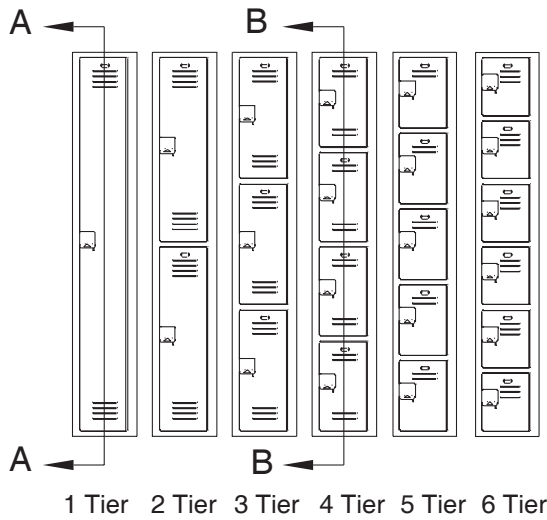
Handicapped or a custom logo is machined into the locker door. Artwork for logos must be provided to Bradley.

#### Drain Holes

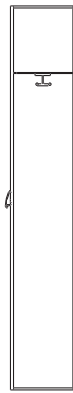
Slots are placed in the bottom of the locker (1-Tier only) for drainage of water after hose down. (Slots will be evenly spaced in center unless specified otherwise.)

# Lenox Locker – Solid Plastic

## Model LENOXLOCKER



C = 12", 15", or 18"  
D = 12", 15", or 18"



SECTION A-A



SECTION B-B

Optional  
Slope Top

