

---

# Installation Instructions

---

## Lenox Lockers™ Pedestal Bench

### Table of Contents

Pre-Installation Information . . . . .	2
Hardware List . . . . .	2
Pedestal Bench Installation . . . . .	3



### **IMPORTANT**

**Make sure all floors are clean and smooth. Remove loose impediments, such as protruding nails, and other debris which could affect installation. The bench will be as level as the floor it is secured to.**

**Do not use shims to level the pedestal bench.**

**Review your layout drawings and verify the number of pedestal benches and components before beginning installation.**

**Read this installation manual thoroughly to ensure proper installation. File this manual with the owner or maintenance department.**

## Pre-Installation Information

### Components

The bench top is constructed of 1-1/2" thick High Density Polyethylene (HDPE) with homogeneous color and a matte finish texture. The pedestals are constructed of black anodized aluminum with welded aluminum flanges.

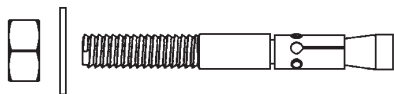
### Check Contents

Separate all parts from packaging materials and ensure you have all parts required for installation. If any parts are missing, do not attempt to install your Lenox Pedestal Bench until you obtain all parts.

### Tools required

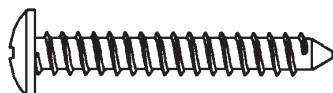
- Tape measure
- Power drill
- 1/8" drill bit
- 1/4" masonry drill bit
- Phillips driver bit

## Hardware List (hardware provided by Bradley)



### FAST-LF017

1/4" x 2-1/4" lg. stud with nut and washer for securing pedestal to the floor



### FAST-S357

#14 x 1-3/4" lg. screw for attaching pedestals to the bench

### Bradley Lenox Locker Warranty

Bradley Corporation warrants to commercial and institutional purchasers only each new Bradley Lenox Locker unit purchased from us to be free from defects in material and workmanship under normal use and service upon the following terms and conditions:

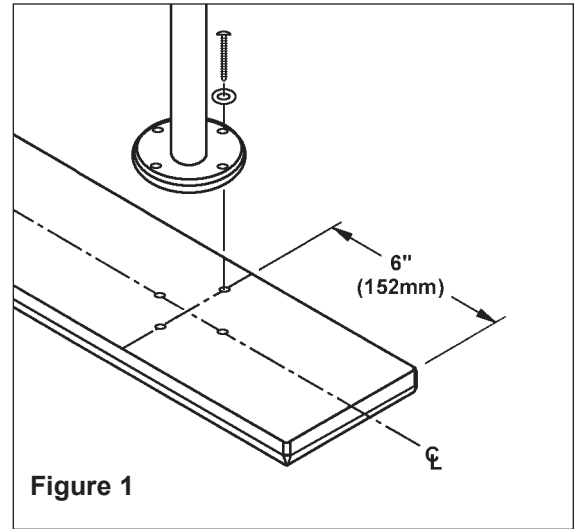
1. This warranty is limited to replacing or repairing, at our option, transportation charges prepaid by the purchaser, any Bradley Lenox Locker or part thereof which our inspection shall show to have been defective within the limitations of this warranty.
2. The period during which Bradley Lenox Locker units are warranted is 20 years against rust, delamination or breakage of any of the plastic components, measured from the date of our invoice.
3. This warranty does not cover installation or any other labor charges and does not apply to any units which have been damaged by accident, abuse, improper installation or improper maintenance.
4. The replacement or repair of defective Bradley Lenox Locker units as stated in this warranty shall constitute the sole remedy of the purchaser and the sole liability of Bradley Corporation under this warranty. Bradley Corporation shall not otherwise be liable under any circumstances for incidental, consequential or direct damages caused by defects in Bradley Washroom Lenox Locker or any delay in the repair or replacement thereof.
5. This warranty extends only to commercial and institutional purchaser and does not extend to any others, including consumer customers of commercial institutional purchasers.
6. This warranty is in lieu of all other warranties, expressed or implied, including any implied warranty of merchantability or fitness for a particular purpose or otherwise.

## Installation Instructions

### Step 1: Pedestal-to-Bench Installation

*NOTE: Refer to Figure 1 when installing pedestals.*

- To locate the centerline of the pedestals on the bench, follow the procedure outlined below:
  - On the bottom side of the bench, measure and scribe a center line along the length of the bench.
  - Measure and scribe a line along the width of the bench 6" from each end and perpendicular to the centerline. The intersection of these two lines is the center point for the two end pedestals. Install the end pedestals at this point with the hardware provided as shown in Figure 1.
  - Refer to your submittal drawings for proper placement of the remaining pedestals. Install the remaining pedestals with the hardware provided.
- To secure the pedestals to the bench, follow the procedure outlined below:
  - Position the pedestal flanges on the underside of the bench at the locations scribed in Procedure 1 above. Mark the hole locations on the bench and remove the pedestals.
  - Using a 3/16" drill bit, drill starter holes in the bench (1/2" deep) at the hole locations marked.
  - Secure the pedestals to the bench with the #14 x 1-3/4" screws provided.



### Step 2: Pedestal Bench-to-Floor Installation

*NOTE: Refer to Figure 2 when installing pedestals. Refer to your submittal layouts for proper placement of the pedestal benches.*

*NOTE: Accuracy is important when drilling the flange holes!*

- Position the pedestal bench(es) on the floor and mark the mounting hole locations through the pedestal flanges. Remove the bench(es) and set aside.
- Using a 1/4" masonry drill bit, drill starter holes in the floor (approximately 1-1/8" to 1-1/4" deep) at the hole locations marked.
- Insert a stud (thread side up) into each hole in the floor. Place a nut on top of the stud and tap on the nut with a hammer to set the stud into place. The nut serves as a thread protector. Remove the nut and set aside.
- Reposition the pedestal bench(es) on the floor, inserting the flanges onto the studs.
- Secure the pedestal bench(es) to the floor with the nuts and washers provided.

