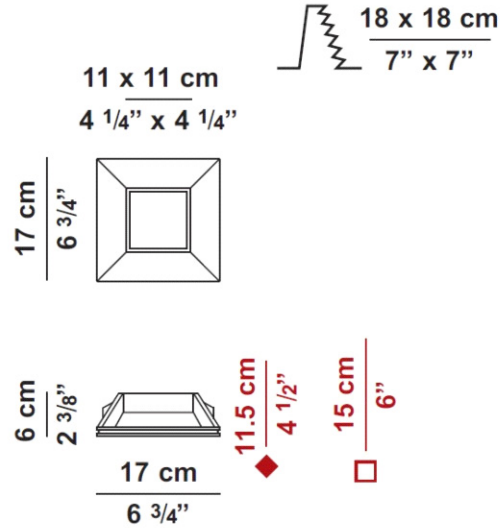
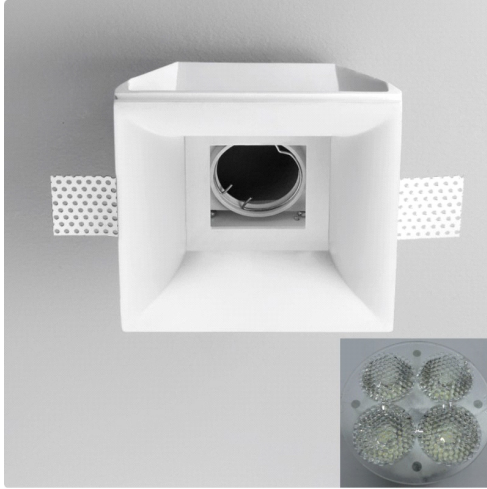


Date: _____


Project: _____

Fixture Type: _____

Specifier/Rep: _____



◆ WITH LED (D8-6100)
 □ WITH LED (D8-6101)

Certified by  for North American Standard

APPLICATION:

Recessed - Trimless

CONSTRUCTION:

Fixture Material:

Plaster

Fixture Finish:

(See next page for available options)

Available Finish/Size/Lamping Options

Options Available (See next pages)

Component Requirement:

Component(s) Required, see Components Page

ELECTRICAL:

Lamp Category: LED

Power Supply:

Not Included

Voltage/Constant Current:

350mA

700mA

(277v or 347v available upon request)

Light Color/Color Temperature:

3000°K

4000°K

Emergency:

N/A

IP RATING:

N/A

OPTICS:

Diffusor Material:

N/A

Diffusor Finish:

(See next page for available options)

Reflector:

N/A

Efficiency:

N/A

NOTES:

Plaster Housing Frame with adjustable Metal White Spot LED - Driver sold separately (see system components). To be installed in non-insulated ceiling/wall only.



Invisibili - Adjustable - 6 3/4" SQ.LED

Date: _____

Project: _____

Fixture Type: _____

Specifier/Rep: _____

Available Sizing/Lamp Options:

Model No	Fixture - Diffuser	Details
D8-6230	White - N/A	L: 17cm / 6 3/4" W: 17cm / 6 3/4" H: 6cm / 2 3/8", One LED, Max. 4.8W, 350mA, 3000°K, 40°
D8-6231	White - N/A	L: 17cm / 6 3/4" W: 17cm / 6 3/4" H: 6cm / 2 3/8", One LED, Max. 4.8W, 350mA, 4000°K, 40°
D8-6232	White - N/A	L: 17cm / 6 3/4" W: 17cm / 6 3/4" H: 6cm / 2 3/8", One LED, Max. 8.4W, 700mA, 3000°K, 40°
D8-6233	White - N/A	L: 17cm / 6 3/4" W: 17cm / 6 3/4" H: 6cm / 2 3/8", One LED, Max. 8.4W, 700mA, 4000°K, 40°


Date: _____

Project: _____

Fixture Type: _____

Specifier/Rep: _____

COMPONENTS:

Model Number	Description	Image	Application/Line-art
DR009350	Invisibili - LED Driver, Driver 1-9w 350mA		
DR017350	Invisibili - LED Driver, Driver 17w 350mA		
DR017700	Invisibili - LED Driver, Driver 17w 700mA		
DR035700	Invisibili - LED Driver, Driver 35w 700mA		

Date: _____

Project: _____

Fixture Type: _____

Specifier/Rep: _____

Installation Guide

