



PROJECT: _____

LOCATION: _____

DATE: _____

PRODUCT SPECIFICATIONS

STYLE # **D2-2047**

SERIES NAME: OLLY

COLOR / FINISH: Aluminum

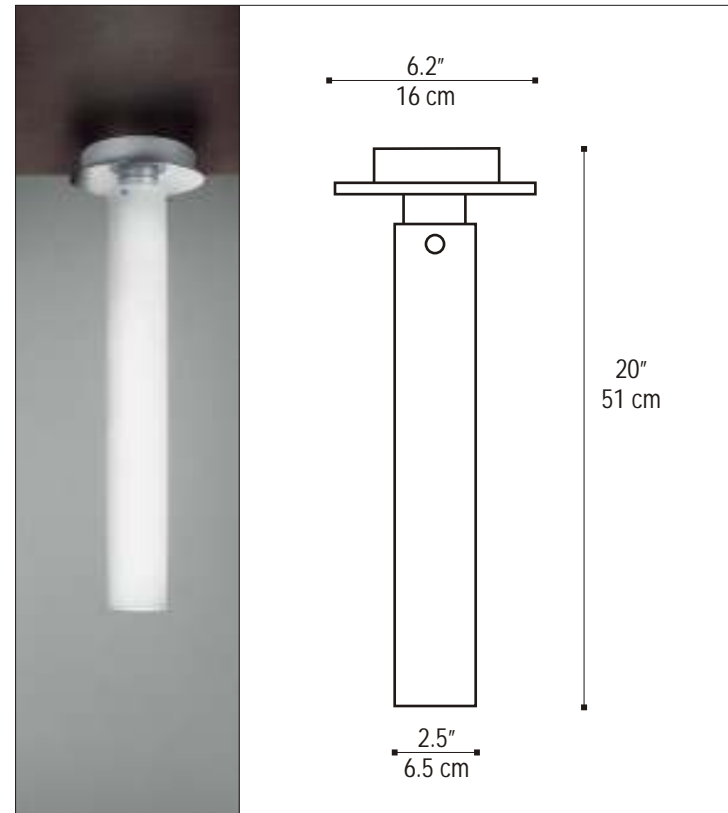
DIFFUSER: White Glass

LAMP / BALLAST:
2G11 Compact Fluorescent/ 120V Electronic

MAX WATT: 1 x 36W

DIMENSIONS:
L. 20" x W. 2.5" (Glass) / 6.2" (Canopy)

APPROVALS:
Approved by  for North American Standards.



NOTES _____