

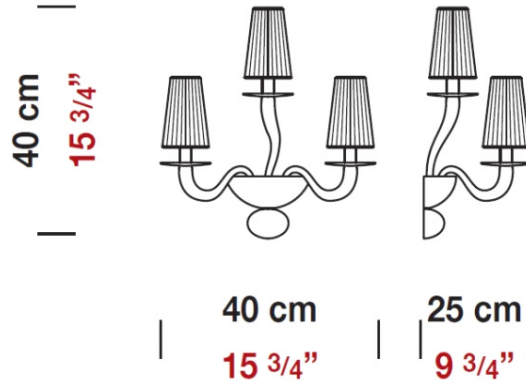
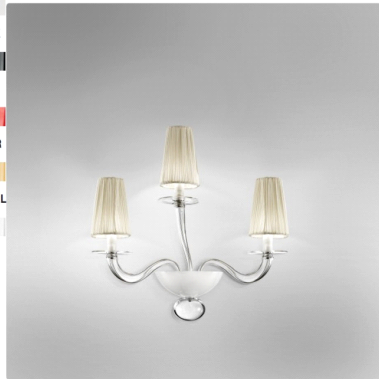
Date: _____

Project: _____

Fixture Type: _____

Specifier/Rep: _____

- WHITE
WHI
- BLACK
BLA
- RED
RED
- AMBER
AMB
- CRYSTAL
CRI



Certified by  for North American Standard

APPLICATION:

Wall - Surface

CONSTRUCTION:

Fixture Material:

Not available

Fixture Finish:

White

Available Finish/Size/Lamping Options

Options Available

Component Requirement:

Complete Unit, no component required

ELECTRICAL:

Lamp Category: Halogen

Power Supply:

Not available

Voltage: 120

(277v or 347v available upon request)

Emergency:

Not available

IP RATING:

IP20

OPTICS:

Diffusor Material:

Fabric

Diffusor Finish:

Ivory

Reflector: Not available

Efficiency:

Not available

NOTES:

Date: _____

Project: _____

Fixture Type: _____

Specifier/Rep: _____

Available Sizing/Lamp/Finish Options

Model No	Fixture - Diffuser	Details
D8-3246	White - Ivory	L: 15 3/4" / 40cm H: 15 3/4" / 40cm, Ext: 9 3/4" / 25cm, (3) x (T4), Max. 60W with G9 base, Voltage: 120
D8-3247	Black - Ivory	L: 15 3/4" / 40cm H: 15 3/4" / 40cm, Ext: 9 3/4" / 25cm, (3) x (T4), Max. 60W with G9 base, Voltage: 120
D8-3248	Red - Ivory	L: 15 3/4" / 40cm H: 15 3/4" / 40cm, Ext: 9 3/4" / 25cm, (3) x (T4), Max. 60W with G9 base, Voltage: 120
D8-3249	Amber - Ivory	L: 15 3/4" / 40cm H: 15 3/4" / 40cm, Ext: 9 3/4" / 25cm, (3) x (T4), Max. 60W with G9 base, Voltage: 120
D8-3250	Crystal - Ivory	L: 15 3/4" / 40cm H: 15 3/4" / 40cm, Ext: 9 3/4" / 25cm, (3) x (T4), Max. 60W with G9 base, Voltage: 120