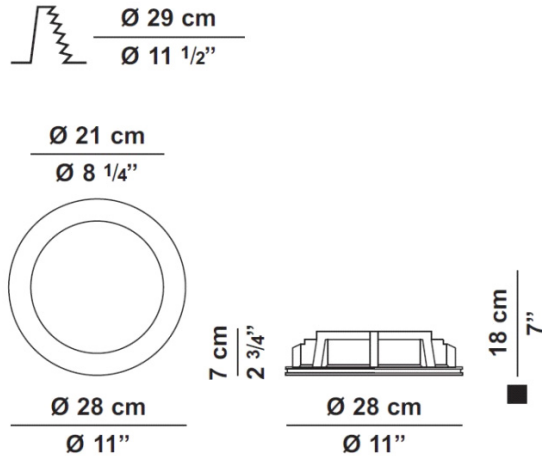
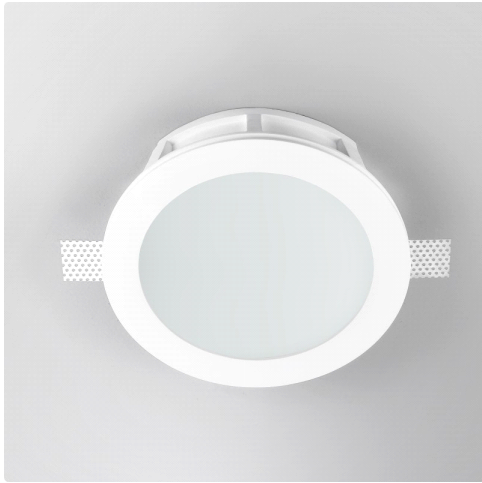


Date: _____


Project: _____

Fixture Type: _____

Specifier/Rep: _____



■ WITH METAL FRAME

Certified by  for North American Standard

APPLICATION:

Recessed - Trimless

CONSTRUCTION:

Fixture Material:

Plaster

Fixture Finish:

White

Max. Overall Height:

N/A

Other Available Size/Lamp/Finish Options

No Option

Component Requirement:

Complete Unit, no component required

ELECTRICAL:

Lamp Category:

Fluorescent

Power Supply

N/A

Lamp Type:

q-3 /q-4

Lamp Base:

GX24

Number of Lamps:

2

Voltage/Constant Current:

120

(277v or 347v available upon request)

Max Wattage per Lamp:

26

Emergency: N/A

IP RATING:

IP20

OPTICS:

Diffusor Material:

N/A

Diffusor Finish:

N/A

Reflector:

N/A

Efficiency:

N/A

NOTES:

Fixed Plaster fluorescent light (electronic ballast included)

Date: _____

Project: _____

Fixture Type: _____

Specifier/Rep: _____

Installation Guide

