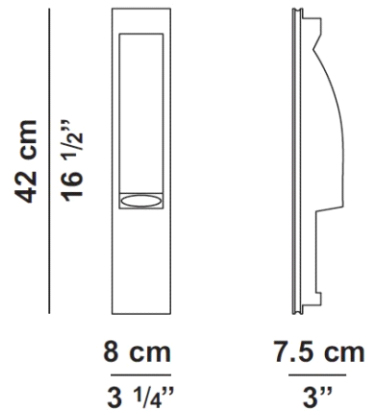
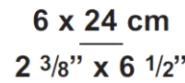
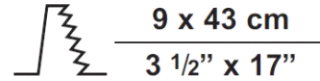


Date: _____

Project: _____

Fixture Type: _____

Specifier/Rep: _____



Certified by  for North American Standard

APPLICATION:

Wall - Recessed

CONSTRUCTION:

Fixture Material:

Plaster

Fixture Finish:

(See next page for available options)

Available Finish/Size/Lamping Options

Options Available (See next pages)

Component Requirement:

Component(s) Required, see Components Page

ELECTRICAL:

Lamp Category: LED

Power Supply:

Not Included

Voltage/Constant Current:

350mA

700mA

(277v or 347v available upon request)

Light Color/Color Temperature:

3000°K

4000°K

Emergency:

N/A

IP RATING:

N/A

OPTICS:

Diffusor Material:

N/A

Diffusor Finish:

(See next page for available options)

Reflector:

N/A

Efficiency:

N/A

NOTES:

Fixed Plaster Housing Frame with LED - Driver sold separately (see system components). To be installed in non-insulated ceiling/wall only.



Invisibili - 16" Step Lights

Date: _____

Project: _____

Fixture Type: _____

Specifier/Rep: _____

Available Sizing/Lamp Options:

| Model No | Fixture - Diffuser | Details |
|----------|--------------------|---|
| D8-6226 | White - N/A | L: 8cm - 3 1/4" W: 7.5cm / 3" H: 42cm / 16 1/2", One LED, Max. 4.8W, 350mA, 3000°K, 40° |
| D8-6227 | White - N/A | L: 8cm - 3 1/4" W: 7.5cm / 3" H: 42cm / 16 1/2", One LED, Max. 4.8W, 350mA, 4000°K, 40° |
| D8-6228 | White - N/A | L: 8cm - 3 1/4" W: 7.5cm / 3" H: 42cm / 16 1/2", One LED, Max. 8.4W, 700mA, 3000°K, 40° |
| D8-6229 | White - N/A | L: 8cm - 3 1/4" W: 7.5cm / 3" H: 42cm / 16 1/2", One LED, Max. 8.4W, 700mA, 4000°K, 40° |


Date: _____

Project: _____

Fixture Type: _____

Specifier/Rep: _____

COMPONENTS:

| Model Number | Description | Image | Application/Line-art |
|--------------|--|---|----------------------|
| DR009350 | Invisibili - LED Driver, Driver 1-9w 350mA |  | |
| DR017350 | Invisibili - LED Driver, Driver 17w 350mA | | |
| DR017700 | Invisibili - LED Driver, Driver 17w 700mA | | |
| DR035700 | Invisibili - LED Driver, Driver 35w 700mA | | |

Date: _____

Project: _____

Fixture Type: _____

Specifier/Rep: _____

Installation Guide

